

# VISTA DS™ IMPACT RATED



The Vista DS™ fixed window system is engineered to beautifully complement our innovative door systems. Designed from the ground up based on feedback from our popular Storefront™ product, Vista DS™ offers some of the thinnest profiles for either fixed or operable fenestration products (just 1 1/4”) – providing a sleek, modern appearance. It also boasts expansive height and width dimensions, maximizing the glass-to-frame ratio that enhances natural light and delivers unobstructed views.

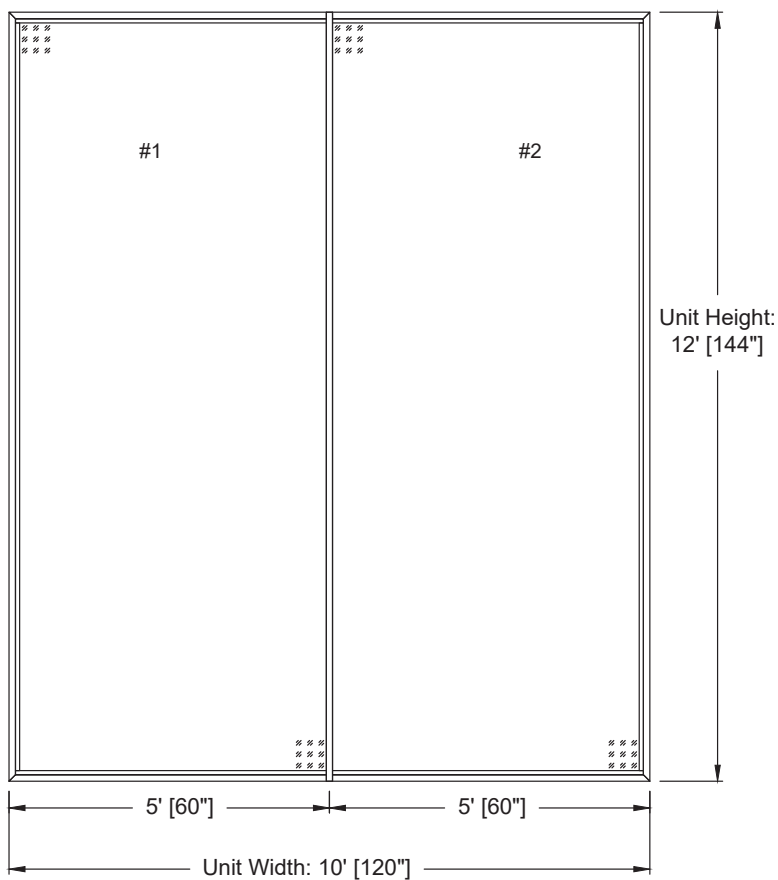
**FL46965**



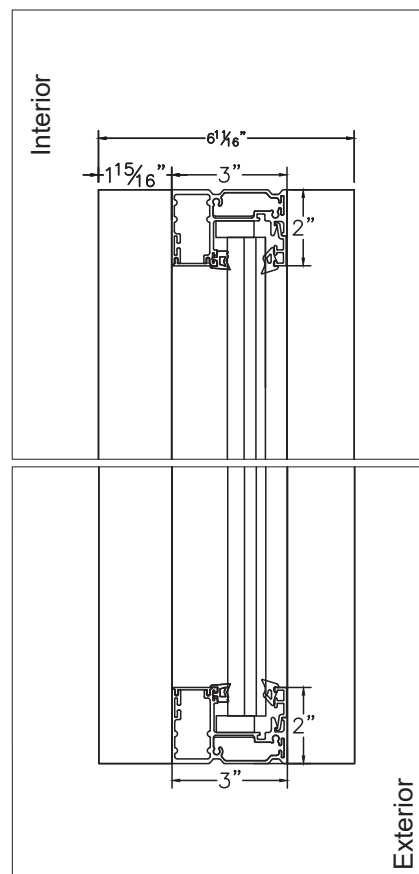
## PANEL MINIMUM / MAXIMUM

Min Panel Width:	18”	Min Panel Height:	18”
Max Panel Width:	108”	Max Panel Height:	168”

## OVERVIEW DIAGRAM

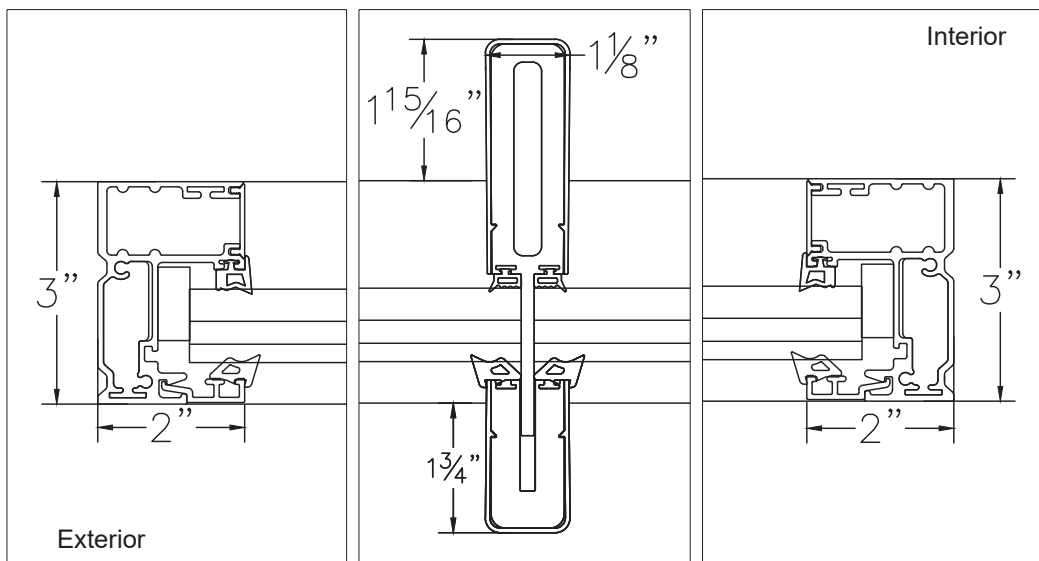


**Exterior Front Elevation**



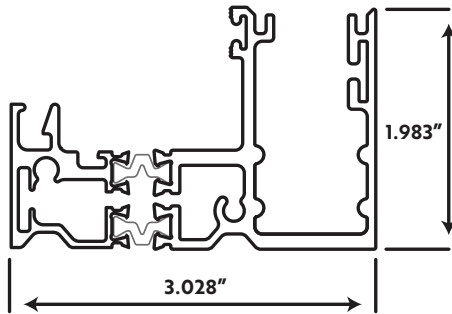
**Vertical Cross Section**

Accepted Glass Types:  
1" IG Impact (shown)  
9/16" Impact

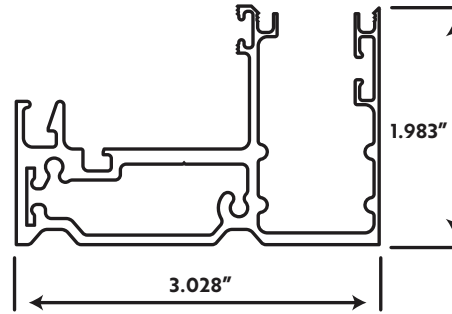


**Top Down Cross Section**

## EXTRUSION PROFILES



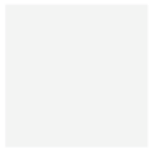
**Thermally  
Broken**



**Impact**

## FINISH OPTIONS

### STANDARD FRAME & DOOR PANEL FINISHES



White



Sunstorm  
Arcadia Silver



Bronze



Black



Clear  
Anodized

*Standard finish is Sunstorm Arcadia Silver (Kynar® Amma 2605)*

### FRAME FINISHES

- Kynar® Liquid Paint or Powder Coat finishes available
- Custom powder coat or Kynar® finishes available
- Custom faux woodgrain finishes available

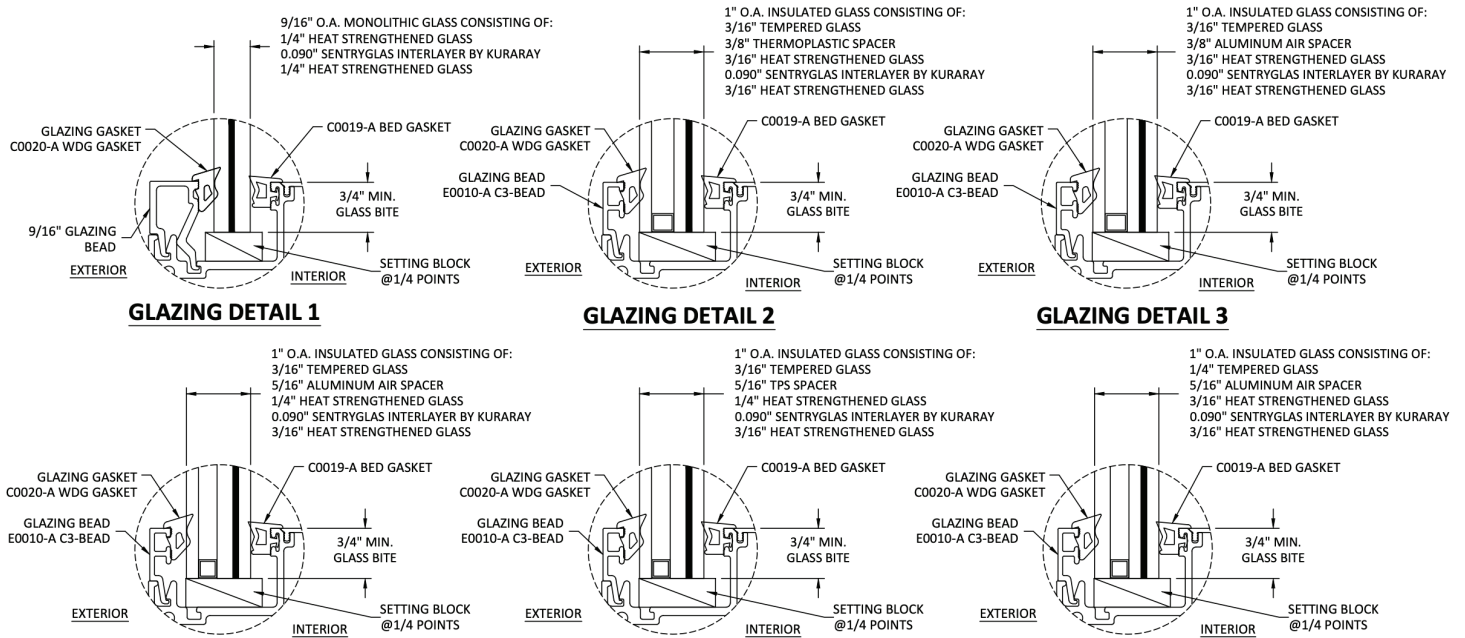
### INTERIOR WOOD CLAD FINISH OPTION

- Mahogany / sapele
- White oak
- Additional wood species available



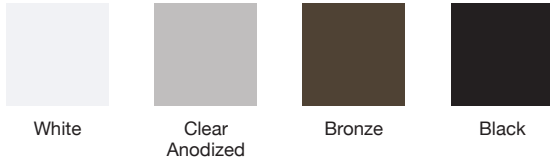
*Wood clad veneer  
option shown*

# GLAZING DETAILS



## FINISH OPTIONS

### Standard Finishes



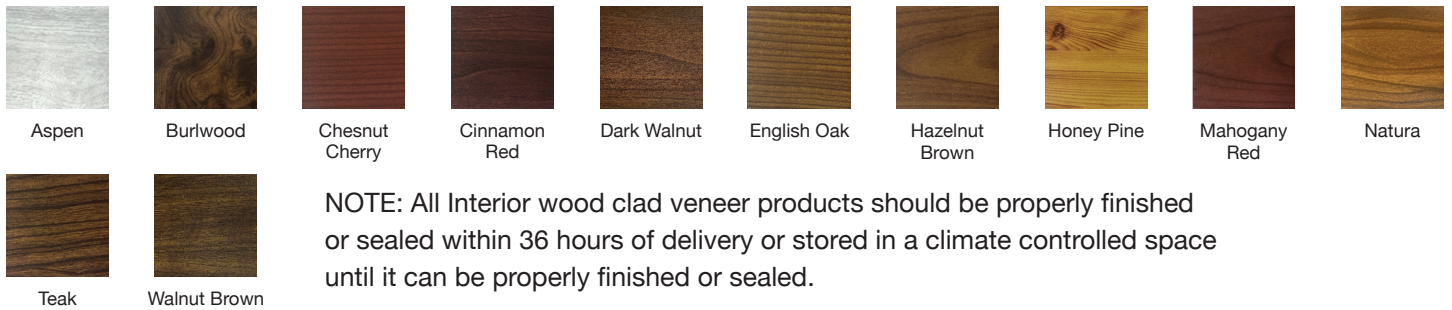
### Standard Wood Finishes



### Exotic Wood Finishes

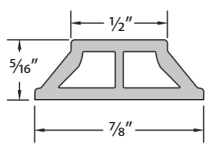


### Faux Wood Grain Finishes

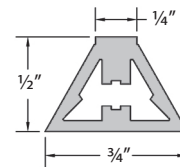


NOTE: All interior wood clad veneer products should be properly finished or sealed within 36 hours of delivery or stored in a climate controlled space until it can be properly finished or sealed.

## GRID OPTIONS



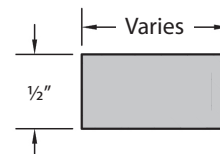
**7/8" OG MUNTIN**



**3/4" STANDARD MUNTIN**



**3/4" FLAT MUNTIN**



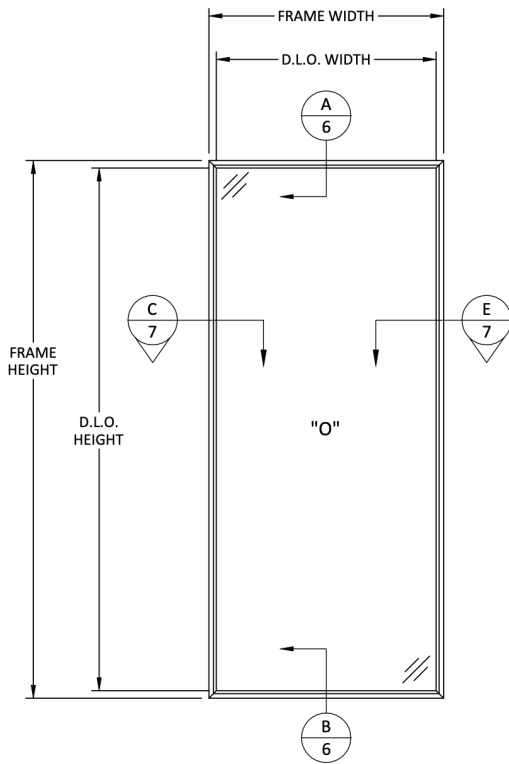
**1/2" STANDARD MIDRAIL**

Used for midrails up to 4"

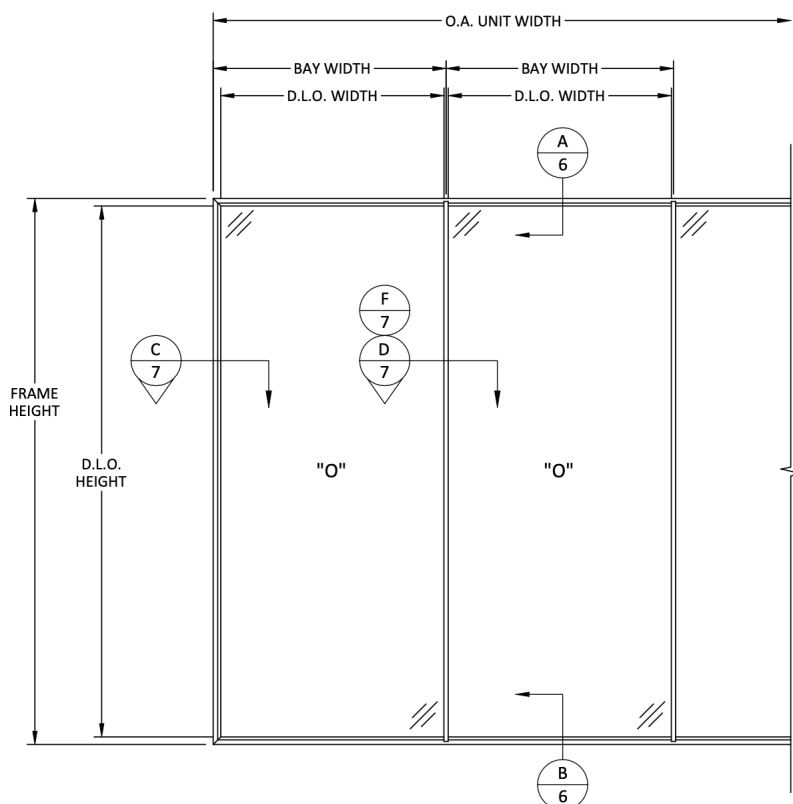
NOTE: The 3/4" flat muntin is primarily used for sliding doors, however if your project has pivot and sliding doors this muntin will be used to make them all match.

# CONFIGURATIONS

## SINGLE UNIT



## MULTIPLE UNITS



## DESIGN PRESSURE & PIVOT LOCATION CHARTS

### WZ3 Design Pressure (Single unit)

SINGLE UNIT DESIGN PRESSURE TABLE (PSF)													
FRAME HEIGHT (IN.)	FRAME WIDTH (IN.)												
	36	42	48	54	60	66	72	78	84	90	96	102	108
78	70.0	70.0	70.0	70.0	70.0	63.6	58.3	53.8	53.8	53.8	53.8	53.8	53.8
84	70.0	70.0	70.0	70.0	70.0	63.6	58.3	53.8	50.0	50.0	50.0	50.0	-
90	70.0	70.0	70.0	70.0	70.0	63.6	58.3	53.8	50.0	46.7	46.7	-	-
96	70.0	70.0	70.0	70.0	70.0	63.6	58.3	53.8	50.0	46.7	-	-	-
102	70.0	70.0	70.0	70.0	70.0	63.6	58.3	53.8	50.0	-	-	-	-
108	70.0	70.0	70.0	70.0	70.0	63.6	58.3	53.8	-	-	-	-	-
114	70.0	70.0	70.0	70.0	70.0	63.6	58.3	-	-	-	-	-	-
120	70.0	70.0	70.0	70.0	70.0	63.6	58.3	-	-	-	-	-	-
126	70.0	70.0	70.0	70.0	70.0	63.6	-	-	-	-	-	-	-
132	70.0	70.0	70.0	70.0	70.0	-	-	-	-	-	-	-	-
138	70.0	70.0	70.0	70.0	70.0	-	-	-	-	-	-	-	-
144	70.0	70.0	70.0	70.0	70.0	-	-	-	-	-	-	-	-
150	70.0	70.0	70.0	70.0	-	-	-	-	-	-	-	-	-
156	70.0	70.0	70.0	70.0	-	-	-	-	-	-	-	-	-
162	70.0	70.0	70.0	-	-	-	-	-	-	-	-	-	-
168	70.0	70.0	70.0	-	-	-	-	-	-	-	-	-	-

### HVHZ Design Pressure (Single unit)

SINGLE UNIT DESIGN PRESSURE TABLE (PSF)													
	FRAME WIDTH (IN.)												
	36	42	48	54	60	66	72	78	84	90	96	102	108
78	70.0	70.0	70.0	70.0	70.0	63.6	58.3	53.8	53.8	53.8	53.8	53.8	53.8
84	70.0	70.0	70.0	70.0	70.0	63.6	58.3	53.8	50.0	50.0	50.0	50.0	-
90	70.0	70.0	70.0	70.0	70.0	63.6	58.3	53.8	50.0	46.7	46.7	-	-
96	70.0	70.0	70.0	70.0	70.0	63.6	58.3	53.8	50.0	46.7	-	-	-
102	70.0	70.0	70.0	70.0	70.0	63.6	58.3	53.8	50.0	-	-	-	-
108	70.0	70.0	70.0	70.0	70.0	63.6	58.3	53.8	-	-	-	-	-
114	70.0	70.0	70.0	70.0	70.0	63.6	58.3	-	-	-	-	-	-
120	70.0	70.0	70.0	70.0	70.0	63.6	58.3	-	-	-	-	-	-
126	70.0	70.0	70.0	70.0	70.0	63.6	-	-	-	-	-	-	-
132	70.0	70.0	70.0	70.0	70.0	-	-	-	-	-	-	-	-
138	70.0	70.0	70.0	70.0	70.0	-	-	-	-	-	-	-	-
144	70.0	70.0	70.0	70.0	70.0	-	-	-	-	-	-	-	-
150	70.0	70.0	70.0	70.0	-	-	-	-	-	-	-	-	-
156	70.0	70.0	70.0	70.0	-	-	-	-	-	-	-	-	-
162	70.0	70.0	70.0	-	-	-	-	-	-	-	-	-	-
168	70.0	70.0	70.0	-	-	-	-	-	-	-	-	-	-



## TEST PERFORMANCE RESULTS

- Approved for use in Miami-Dade HVHZ Zone
- Florida Building Code Approved Product Approval FL 46965
- TAS 201 TAS 202 TAS 203
- Tested for Thermal Requirements
- AAMA / WDMA / CSA 101 / I.S.2 / A440-08 • NAFS-08
- Air Infiltration: A2
- Water Leakage Resistance:
- Wind Load Resistance:
- Wind Zone 4 (Hurricane) ASTM (cycling) E1996:
- Wind Zone 4 (Hurricane) ASTM (impact) E1886: Pass

Air Infiltration: ASTM E283-19

Water Infiltration: ASTM E331-00(23)

Wind Load: TAS 202-94

Large Missile Impact: TAS 201-94

Cyclic Load: TAS 203-94

## NFRC

Descrip.	Product Number	Pane IDs	Pane Thickness	Gap / Fill	Surface / Emissivity	Tint	Grid Type / Size	U-factor	SHGC	VT	CR
6mm 366 - .375 Air - 5mm/090SGP/5mm Clr	001	#1 2157 #2 2067	#1 0.225 #2 0.460	0.375 Air	#2: 0.022	CL	N,G	0.62	N: 0.21 G: 0.19	N: 0.40 G: 0.35	14
6mm 366 - .375 Air - 5mm/090SGP/5mm i89	002	#1 2157 #2 65000	#1 0.225 #2 0.460	0.375 Air	#2: 0.022 #4: 0.149	CL	N,G	0.57	N: 0.20 G: 0.18	N: 0.39 G: 0.34	14
6mm SB70 - .375 Air - 5mm/090SGP/5mm Clr	003	#1 5439 #2 2067	#1 0.223 #2 0.460	0.375 Air	#2: 0.018	CL	N,G	0.62	N: 0.21 G: 0.18	N: 0.41 G: 0.36	14
6mm 340 - .375 Air - 5mm/090SGP/5mm Clr	004	#1 2167 #2 2067	#1 0.225 #2 0.460	0.375 Air	#2: 0.028	GY	N,G	0.62	N: 0.15 G: 0.14	N: 0.24 G: 0.21	14
6mm 340 - .375 Air - 5mm/090SGP/5mm i89	005	#1 2167 #2 65000	#1 0.225 #2 0.460	0.375 Air	#2: 0.028 #4: 0.149	GY	N,G	0.57	N: 0.14 G: 0.13	N: 0.24 G: 0.20	14



## EURO-WALL 10 YEAR WARRANTY

Euro-Wall warrants the products to be free from manufacturing defects for a period of 10 years from the date of purchase.

---

888.989.EURO (3876)

[www.euro-wall.com](http://www.euro-wall.com)

### MANUFACTURING

2200 Murphy Court  
North Port, Florida 34289  
888.989.3876 • 941.979.5316



### SHOWROOM

1211 Stirling Road, Unit 102,  
Dania Beach, Florida 33004  
954.610.2572

Proud Member of the American Architectural Manufacturers Association.

