

# VISTA CT™ IMPACT RATED ALUMINUM CASEMENT WINDOW



The Vista CT™ is unlike any other impact rated casement window. The panels are available with heights up to 120” and widths up to 52” all while maintaining an impact rating for inclement weather areas. These massive windows open and close effortlessly thanks to their simple and smart design. The Vista CT™ is a truly unique window system, and provides consumer benefits that cannot be found anywhere else.

**FL 47078**

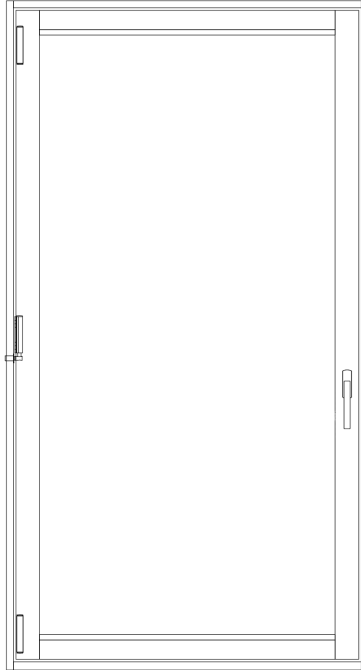


## PANEL MINIMUM / MAXIMUM

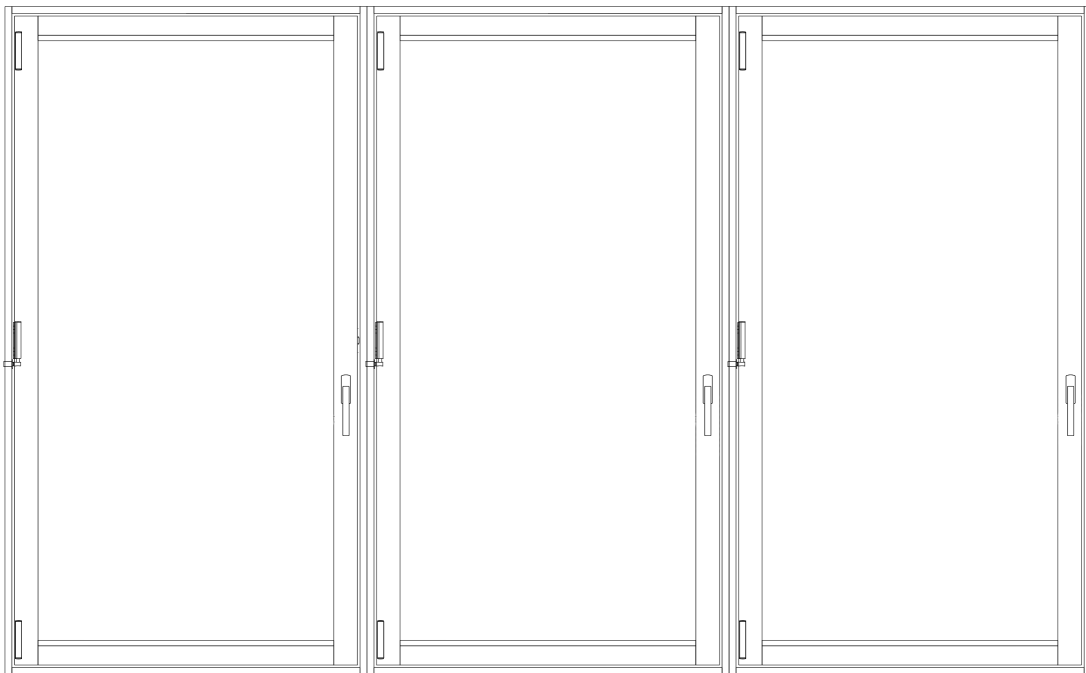
Min Sash Width:	18”	Min Sash Height:	18”
Max Sash Width:	52”	Max Sash Height:	120”

## OVERVIEW DIAGRAM

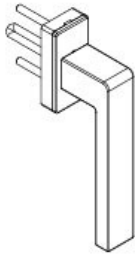
**Single Unit**



**Multi-Unit**



**HANDLES**



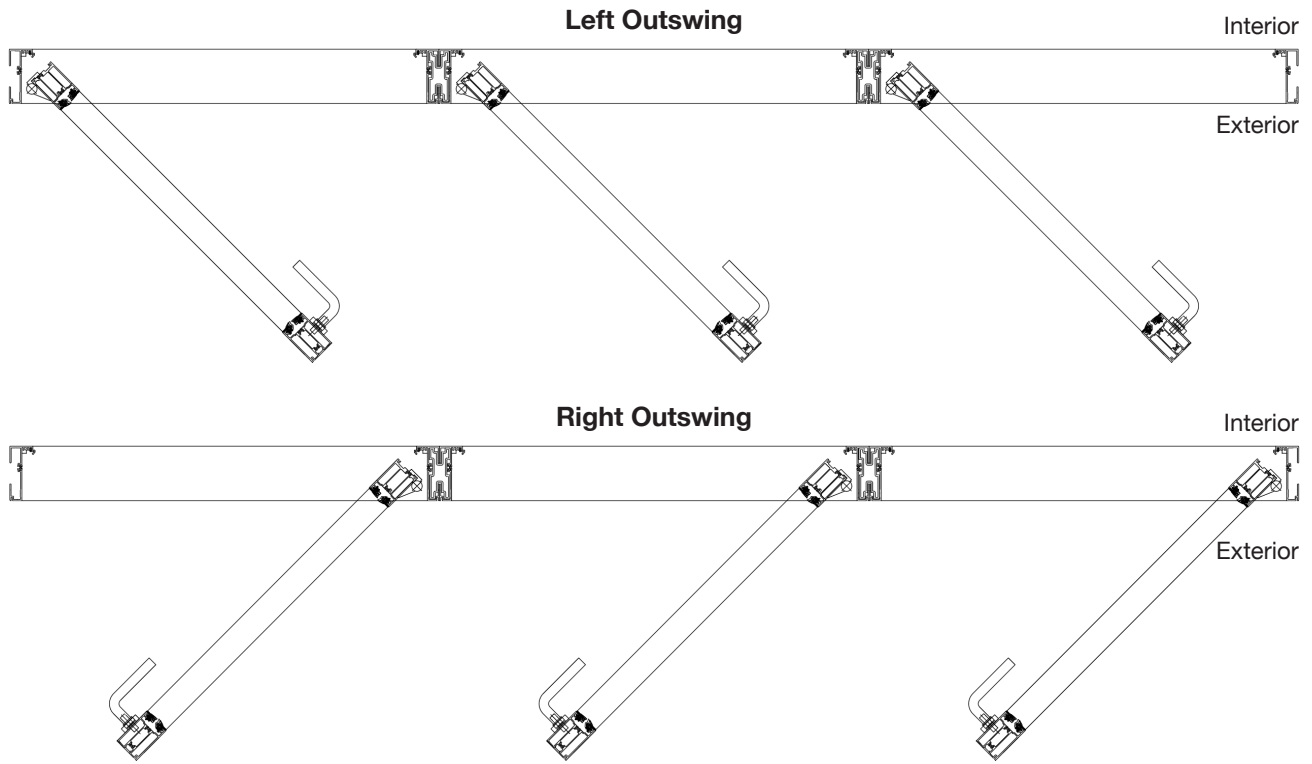
**Kora Handle**  
C0357



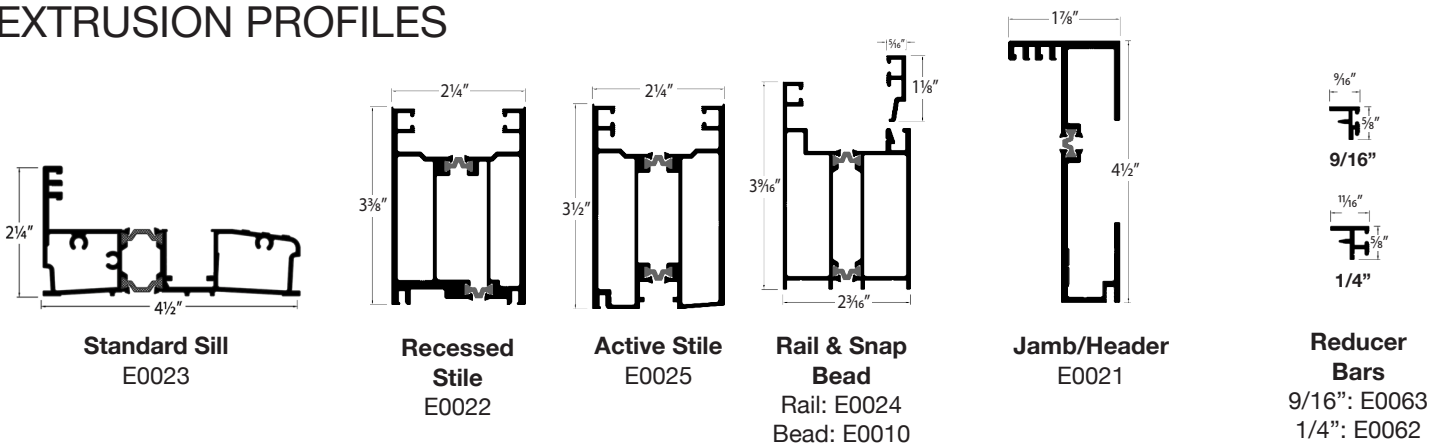
**Twinpoint Lever**  
C0352



**CONFIGURATIONS**

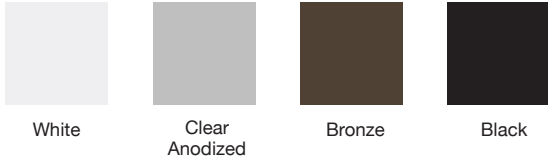


**EXTRUSION PROFILES**



## FINISH OPTIONS

### Standard Finishes



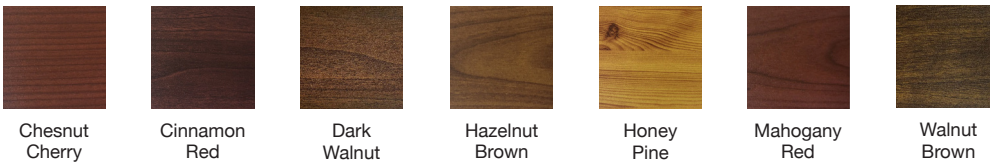
### Standard Wood Finishes



### Exotic Wood Finishes



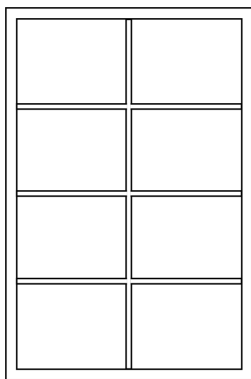
### Faux Wood Grain Finishes



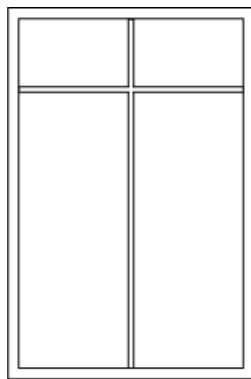
*NOTE: All Interior wood clad veneer products should be properly finished or sealed within 36 hours of delivery or stored in a climate controlled space until it can be properly finished or sealed.*

## COMMON GRID & MUNTIN OPTIONS

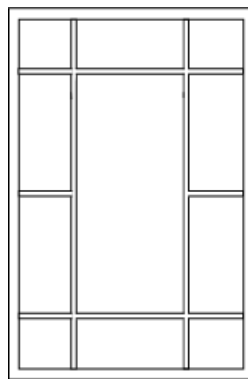
These muntin configurations are examples. All configurations are available in aluminum or wood.



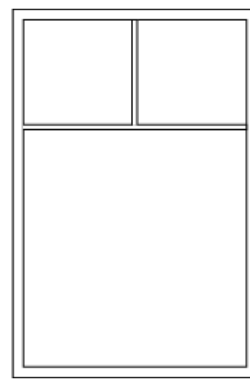
Traditional Grid



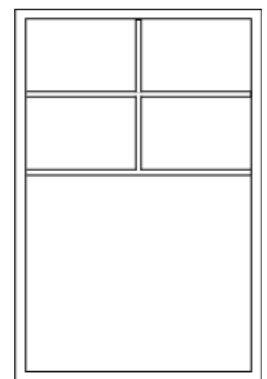
Cross Grid



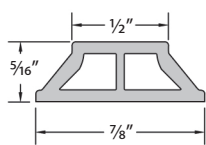
English Grid



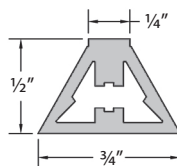
Ladder



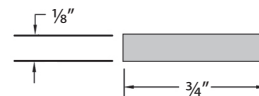
Double Ladder



**7/8" Ogee Muntin**  
E0072



**3/4" Raised Muntin**  
E0070



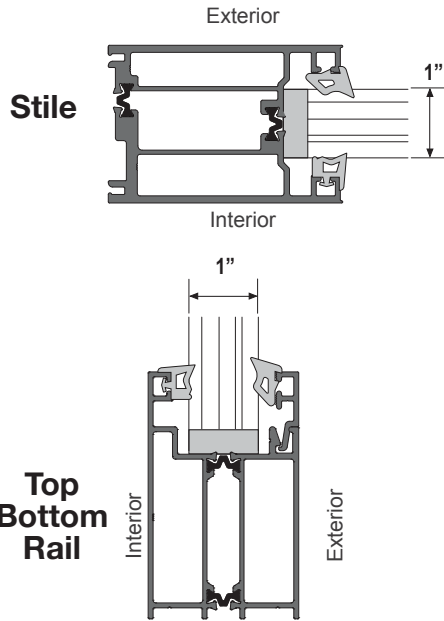
**3/4" Flat Muntin**  
E0068

**NOTE:** The 3/4" flat muntin is primarily used for sliding doors, however if your project has folding and sliding doors this muntin will be used to make them all match.

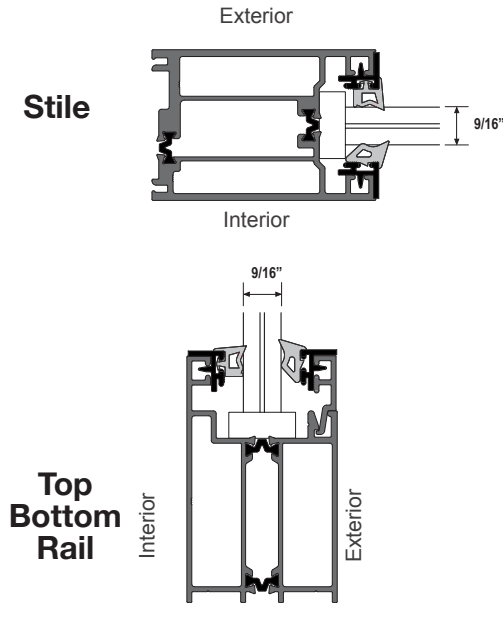
**NOTE:** Additional muntin, kickplate, and midrail options available upon request.

## GLAZING DETAILS

### 1" Insulated Glass



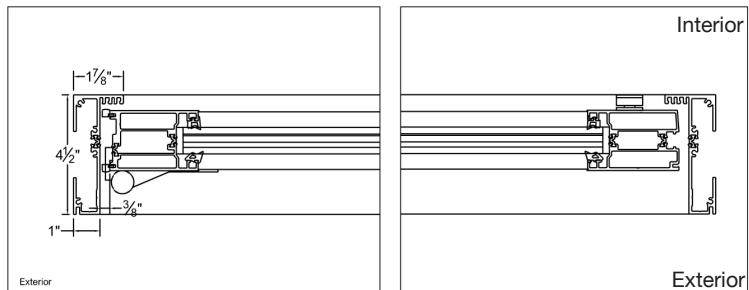
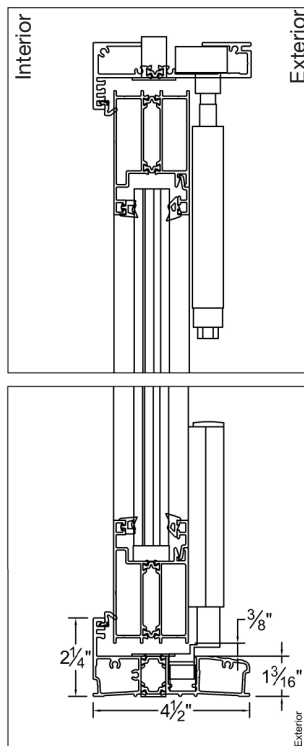
### 9/16" Mono Impact Glass



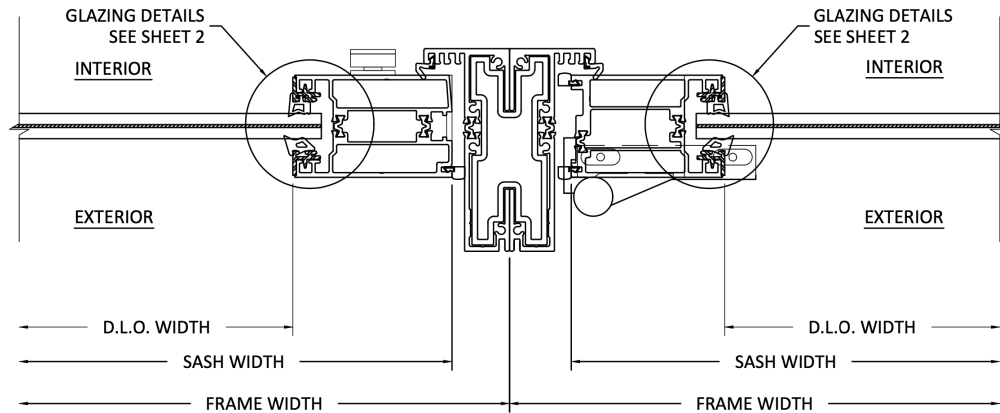
**Impact**  
1" Insulated Impact  
9/16" Mono Impact

**Non-Impact**  
1/4" Tempered  
1/2" Tempered  
1" Insulated  
3/8" Tempered

## ELEVATION DETAILS



## MULL DETAILS



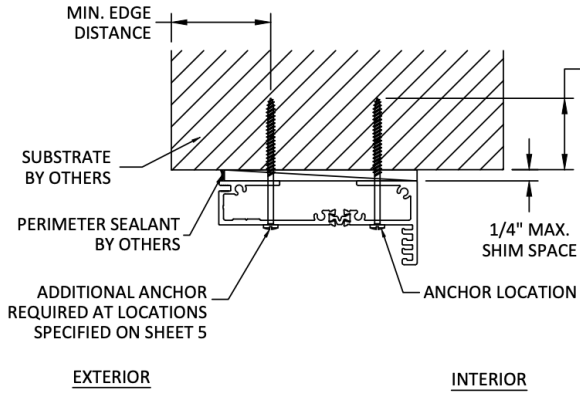
## ANCHOR DETAILS

### Anchor Installation Notes

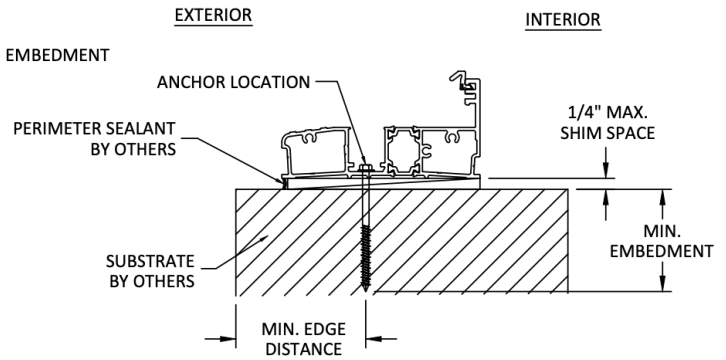
1. One installation anchor is required at each anchor location shown unless specified in the anchor schedule. Two installation anchors at the jambs.
2. The number of installation anchors depicted is the minimum number of anchors to be used for product installation of the maximum size listed.
3. Install individual installation anchors within a tolerance of  $\pm 1/2"$  the depicted location & spacing in the anchor layout details. (I.E., without consideration of tolerances). Tolerances are not cumulative from one installation anchor to the next.
4. Shim as required at each installation anchor with load bearing shim(s). Maximum allowable shim stack to be  $1/4"$ . Shim where space of  $1/16"$  or greater occurs. Shim(s) shall be constructed of high density plastic or better.
5. For masonry or concrete openings, 1x wood buck may be used (optional as long as the minimum embedment and edge

- distance requirements are still met within the corresponding host substrate).
6. Minimum embedment and edge distance exclude wall finishes, including but not limited to stucco, foam, brick veneer and siding.
7. Installation anchors and associated hardware must be made of corrosion resistant material or have a corrosion resistant coating.
8. For hollow block and grout filled block, do not install installation anchors into mortar joints. Edge distance is measured from free edge of block or edge of mortar joint into face shell of block.
9. Installation anchors shall be installed in accordance with anchor manufacturer's installation instructions, and anchors shall not be used in substrates with strengths less than the minimum strength specified by the anchor manufacturer.

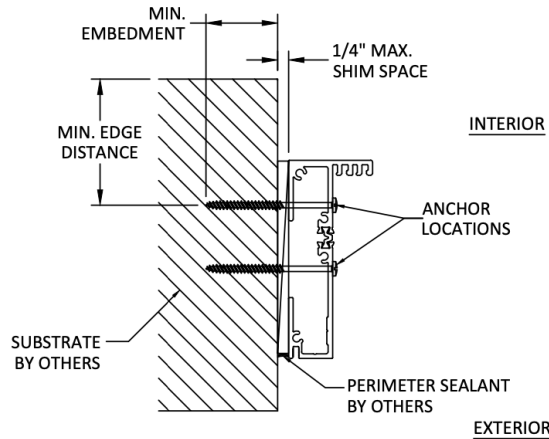
ANCHOR SCHEDULE				
METHOD	SUBSTRATE	ANCHOR TYPE	MIN. EMBEDMENT	MIN. EDGE DISTANCE
THROUGH FRAME	WOOD: MIN. S.G. = 0.55	#14 WOOD SCREW	1.50"	0.75"
	METAL: STEEL MIN. 18 GAUGE (MIN. F <sub>y</sub> = 36 KSI) ALUM. MIN. 1/8" THK. (MIN. 6063-T5)	1/4" TEK SCREW	3 THREADS MIN PENETRATION BEYOND METAL	0.5"
	CONCRETE: MIN. f'c = 3000 psi	1/4" ITW TAPCON	1.50"	1.50"
	MASONRY: CMU PER ASTM C90 MIN. 2000 PSI	1/4" ITW TAPCON	1.00"	2.50"



**A**  
**8** **ANCHOR DETAIL**  
 HEAD - THROUGH FRAME

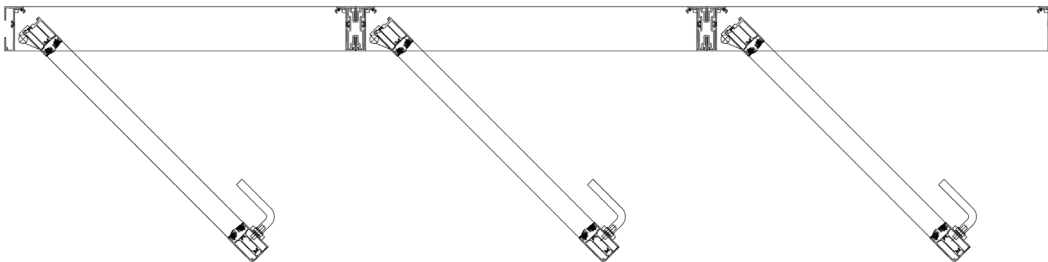
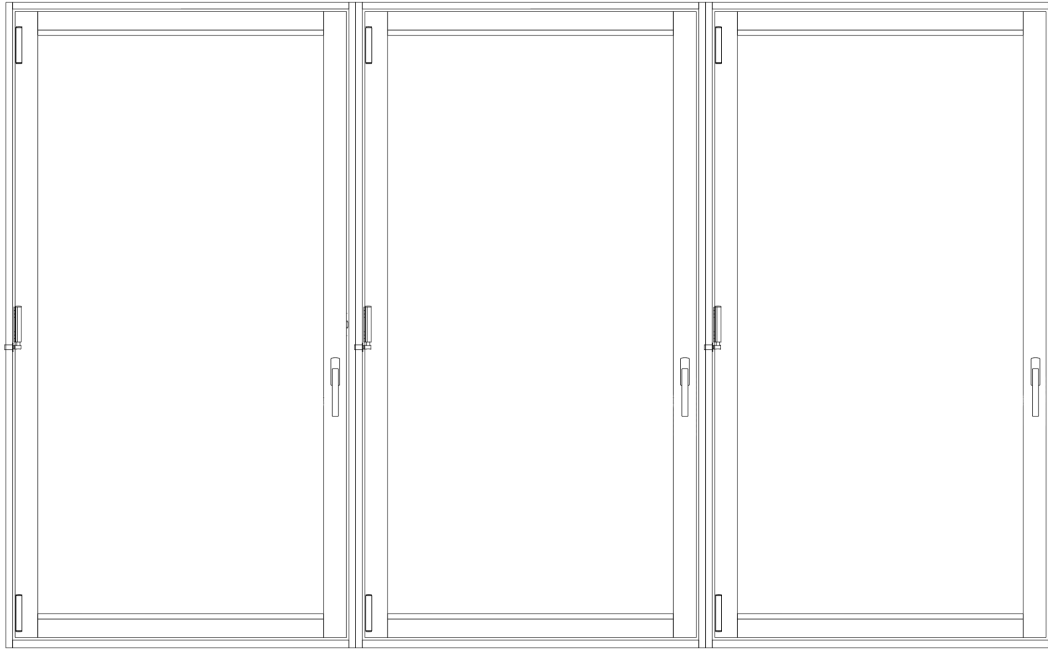


**B**  
**8** **ANCHOR DETAIL**  
 SILL - THROUGH FRAME



**C**  
**8** **ANCHOR DETAIL**  
 JAMBS - THROUGH FRAME

### Multi Configuration



## DESIGN PRESSURE CHARTS

### DESIGN PRESSURE CHART (SINGLE UNITS)

Impact, HVHZ & WZ3

Frame Width

Frame Height	Frame Width				
	28	34	40	46	52
48	80	80	80	80	80
54	80	80	80	80	80
60	80	80	80	80	80
66	80	80	80	80	80
72	80	80	80	80	80
78	80	80	80	80	80
84	80	80	80	80	80
90	80	80	80	80	80
96	80	80	80	80	80
102	80	80	80	74.7	
108	80	80	71.9	62.8	
114	80	71.6	61		
120	74.3	61.3	52.3		

### DESIGN PRESSURE CHARTS (MULTIPLE UNITS)

Impact, HVHZ & WZ3

Tributary Width

Unit Height	Tributary Width					HVHZ
	28	34	40	46	52	
48	80	80	80	80	80	HVHZ
54	80	80	80	80	80	
60	80	80	80	80	80	
66	80	80	80	80	80	
72	80	80	80	80	80	
78	80	80	80	80	80	
84	80	80	80	80	80	
90	80	80	80	80	80	
96	80	80	80	80	80	
102	80	80	80	72.6		WZ3
108	80	79.3	68.4	60.6		
114	80	67.1	57.8			
120	68.9	57.3	49.4			

## TEST PERFORMANCE RESULTS

- Approved for use in Miami-Dade HVHZ
- Florida Building Code Approved Product Approval FL 47078
- Tested for Thermal Requirements
- Air Infiltration: ASTM E283/E283M-19
- Water Infiltration: ASTM E331-00
- Wind Load: TAS 202-94
- Large Missile Impact: TAS 201-94
- Cyclic Load: TAS 203-94
- Static Pressure: TAS 202-94
- Forced Entry: ASTM F588-17



## EURO-WALL 10 YEAR WARRANTY

Euro-Wall warrants the products to be free from manufacturing defects for a period of 10 years from the date of purchase.

---

888.989.EURO (3876)

[www.euro-wall.com](http://www.euro-wall.com)

### MANUFACTURING

2200 Murphy Court  
North Port, Florida 34289  
888.989.3876 • 941.979.5316



### SHOWROOM

1211 Stirling Road, Unit 102,  
Dania Beach, Florida 33004  
954.610.2572

Proud Member of the American Architectural Manufacturers Association.

