

ARCHITECT CUT SHEET

# VISTA FOLD™ IMPACT RATED ALUMINUM FOLDING DOORS



The Vista Fold™ impact rated aluminum door system provides unobstructed views and seamless transitions to the outside. Euro-Wall folding doors systems can span heights up to 168", widths up to 52", can be configured as a radius or postless corner systems and can span large opening widths with an unlimited number of sequential panels. Vista Fold™ applications are Florida Product Approved and meet the strict Florida Building Code and has the highest dp rating of any folding door available.

**FL 17838**

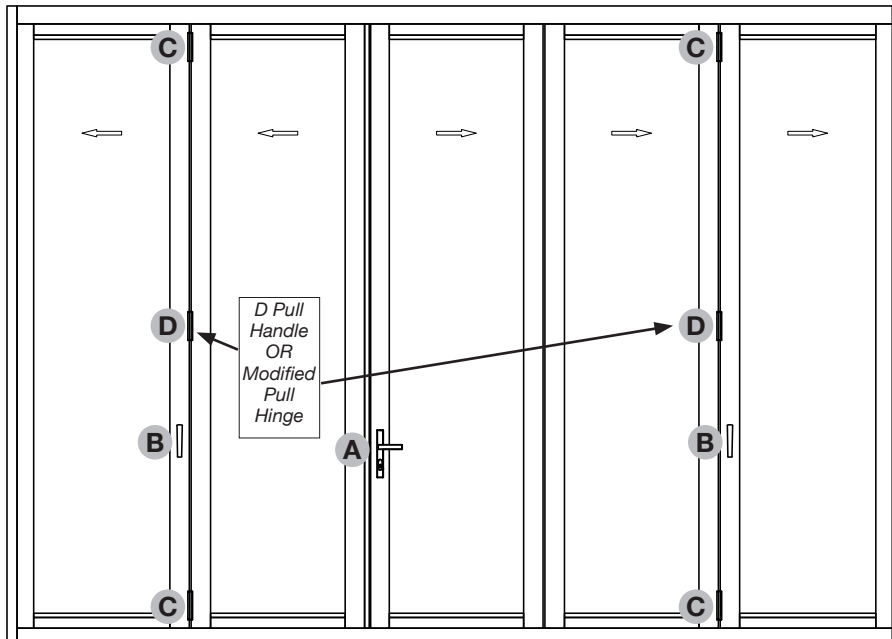


## PANEL MINIMUM / MAXIMUM

Max Panel Weight:	350 lbs	Min Panel Height:	32"
Min Panel Width:	18"	Max Panel Height:	168"
Max Panel Width:	52"	Max Sq Ft:	334 sq ft

## OVERVIEW DIAGRAM

Interior View



- A** **Multipoint Handle**  
LORI: C0064  
ROLI: C0096
- B** **Twinpoint Lever**  
C0352
- C** **Modified Hinge**  
C0106
- D** **D Pull Handle**  
C0095
- D** **Modified Pull Hinge**  
C0107

Exterior View



- A** **Multipoint Handle**  
LORI: C0064  
ROLI: C0096
- B** **Upper Jamb Hinge**  
LORI: C0069  
ROLI: C0070
- C** **Lower Jamb Hinge**  
LORI: C0071  
ROLI: C0072
- D** **Center Wall Pivot**  
LORI: C0104  
ROLI: C0105
- E** **Upper Intermediate Carrier**  
LORI: C0065  
ROLI: C0066
- F** **Lower Intermediate Carrier**  
LORI: C0100  
ROLI: C0101
- G** **Upper Carrier**  
LORI: C0067  
ROLI: C0068
- H** **Lower Carrier**  
LORI: C0102  
ROLI: C0103
- I** **Modified Hinge**  
C0106

Note: Both systems pictured are outswing systems; inswing systems would be the opposite.

## CONFIGURATIONS

2L



2L1R



2L2R



3L



3L1R



3L2R



5L2R



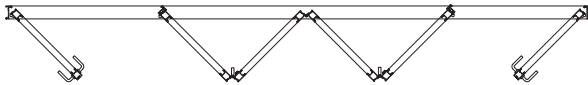
3L3R



5L11R



1L 4LR 1R



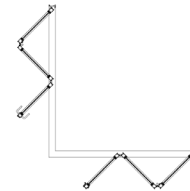
3L4R



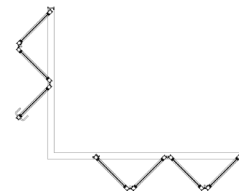
Maximum is 10.25°  
between panels

**NOTE:** These configurations are just a few examples of the numerous possibilities for Vista Fold™ layout options. For installations in Florida, see the Florida Product Approval.

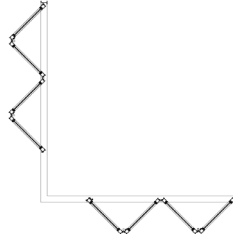
3L3R



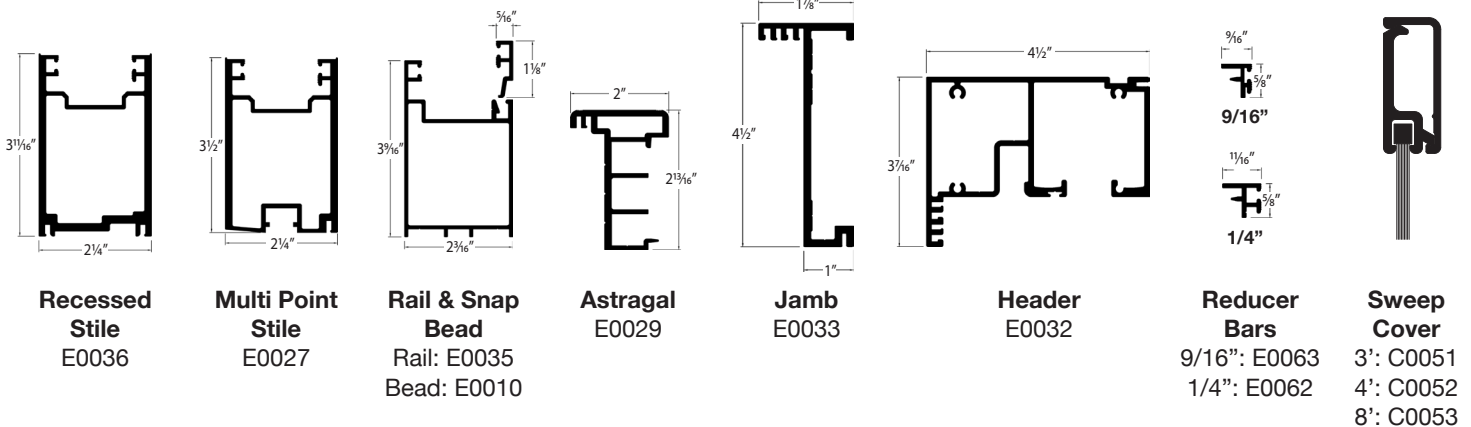
3L4R



4L4R

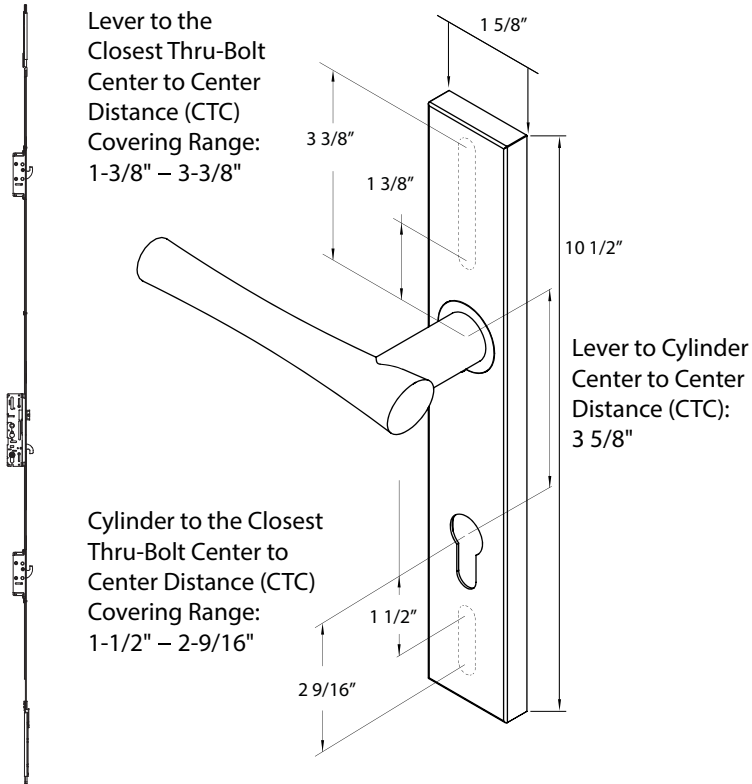


## EXTRUSION PROFILES



**HANDLES**

**Multi Point 5 Point Locking Handle**  
LORI: C0064 / ROLI: C0096

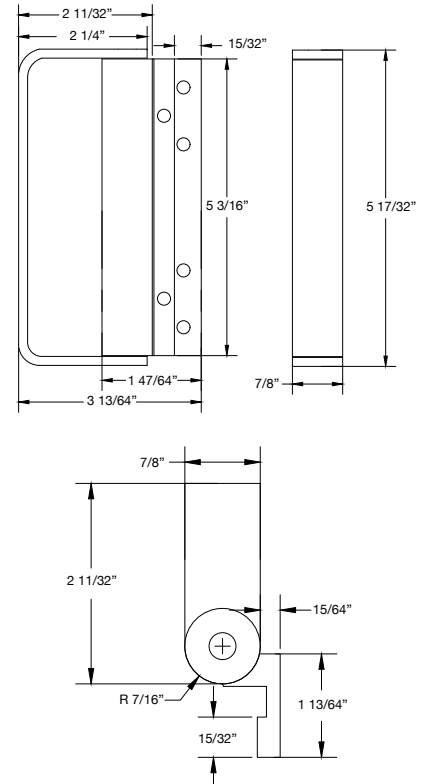


Details of multi point lock continued on pg. 5

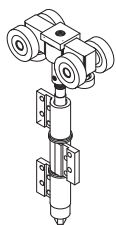


**PULL HARDWARE**

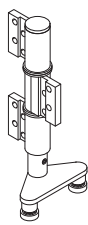
**D Pull Handle**  
C0095



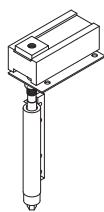
**HINGES**



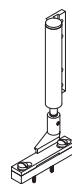
**Upper Intermediate Carrier**  
LORI: C0065  
ROLI: C0066



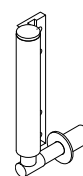
**Lower Intermediate Carrier**  
LORI: C0100  
ROLI: C0101



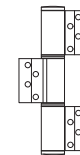
**Upper Jamb Hinge**  
LORI: C0069  
ROLI: C0070



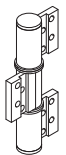
**Lower Jamb Hinge**  
LORI: C0071  
ROLI: C0072



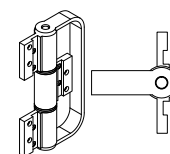
**Center Wall Pivot**  
LORI: C0104  
ROLI: C01055



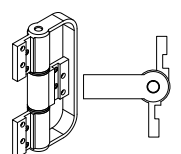
**Straight Hinge**  
C0108



**Modified Hinge**  
C0106



**Straight Pull Hinge**  
C0109



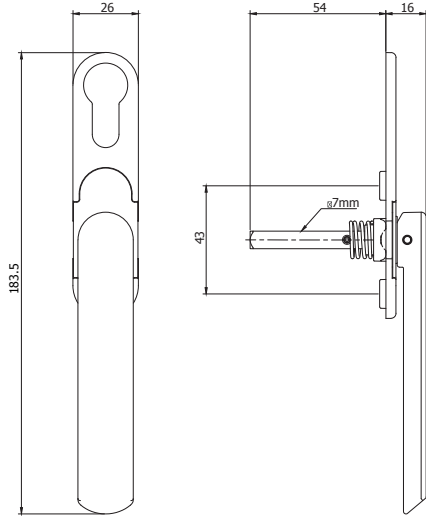
**Modified Pull Hinge**  
C0107



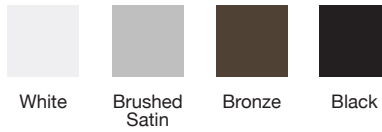
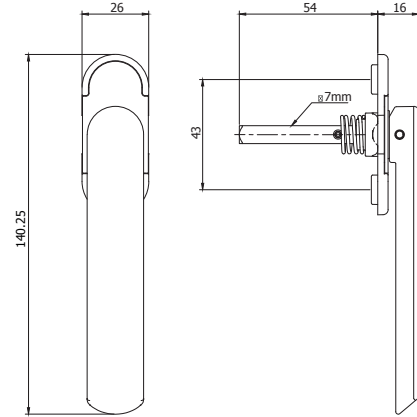


**LOCKS**

**Twinpoint Lever w/ Escutcheon**  
C0351



**Twinpoint Lever Non-Escutcheon**  
C0352



**Thumb Turn Locks**



**50mm Single Sided • Twinpoint Lever**  
Euro Cylinder Key  
Use: Exterior Locking Only, Corner Units Only



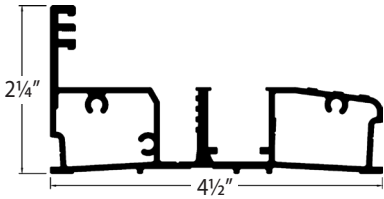
**70mm Double Sided • Twinpoint Lever**  
Euro Cylinder Key / Key  
Use: Standard Option



**90mm Double Sided • Multi Point Handle**  
Euro Cylinder Key / Thumb Turn  
Use: Standard Option  
Finish: Satin Nickel, Bronze, Polished, Black

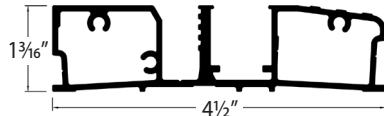


**SILLS**



**Standard Sill**  
E0037

**HVHZ Impact Rated**  
**Water Rated**



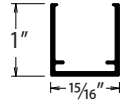
**Modified Standard Sill**  
E0034

**HVHZ Impact Rated**



**ADA Sill**  
E0028

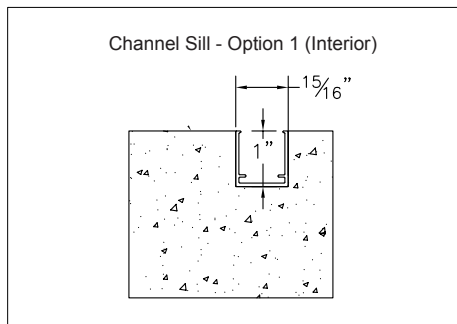
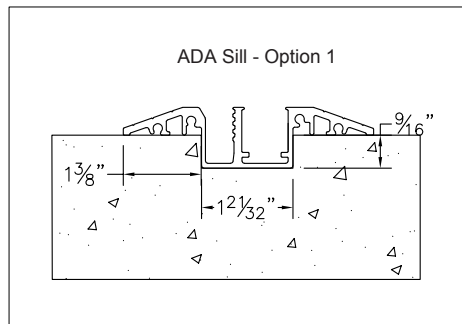
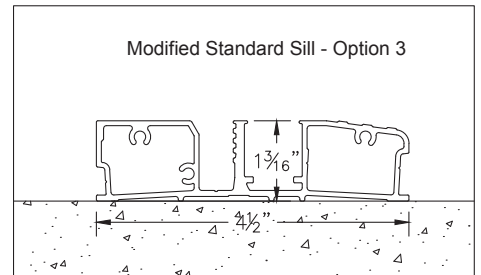
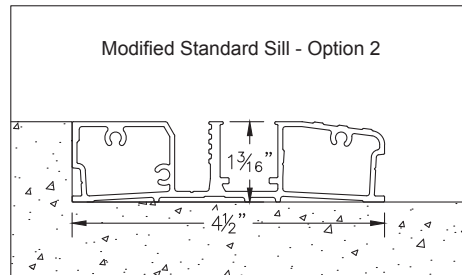
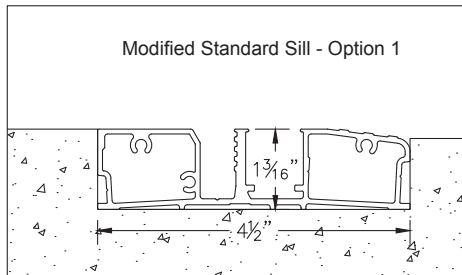
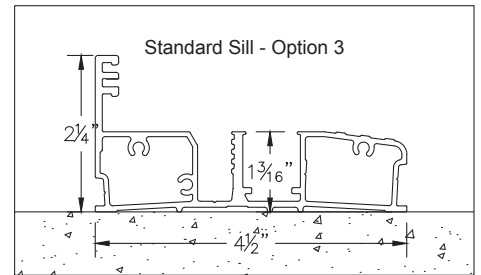
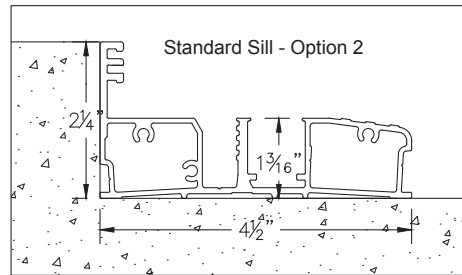
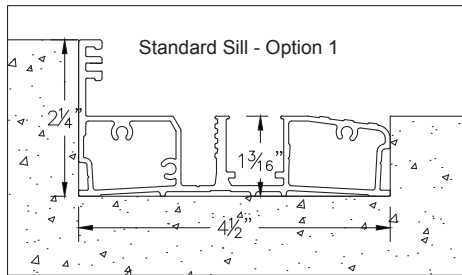
**HVHZ Impact Rated**



**Channel Sill**  
E0108

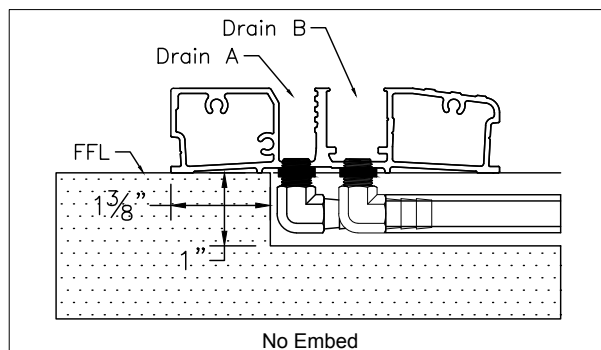
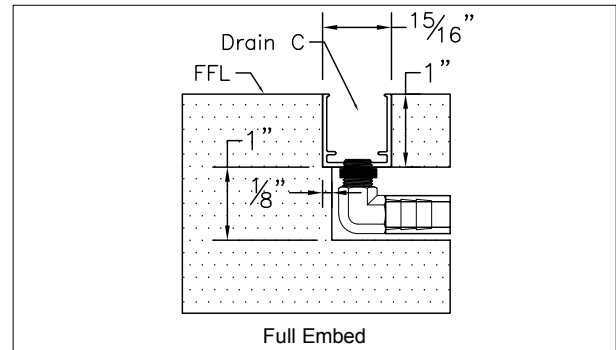
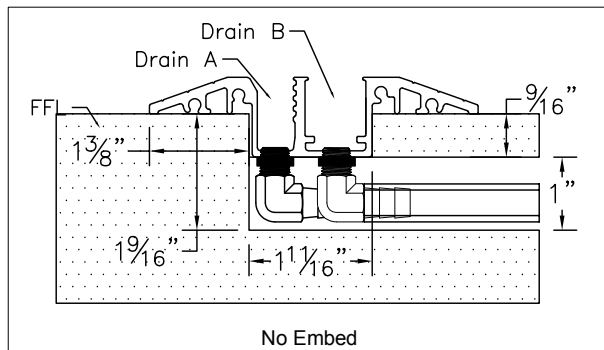
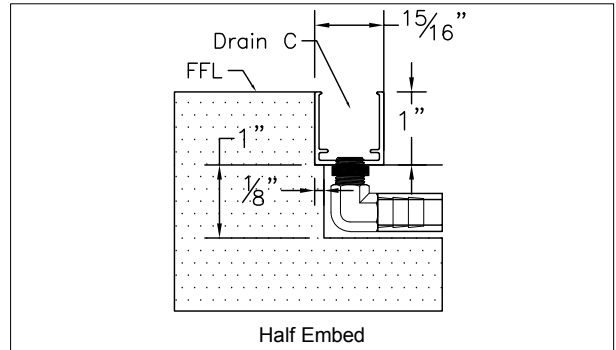
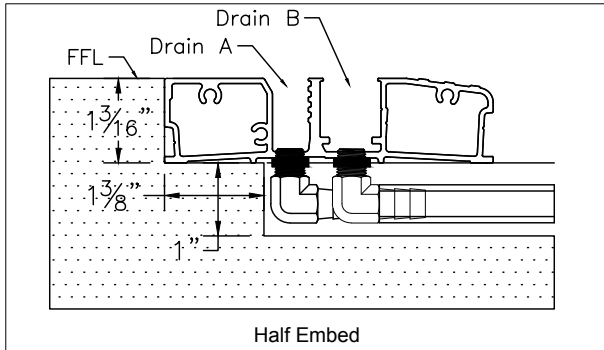
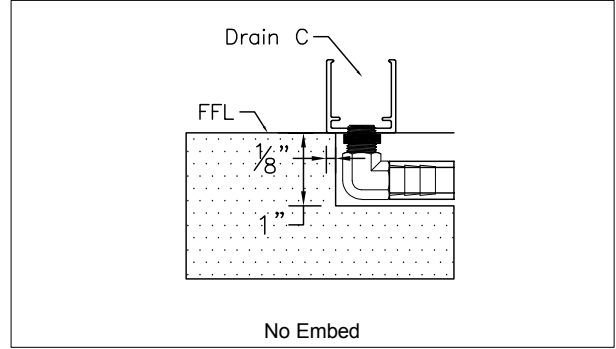
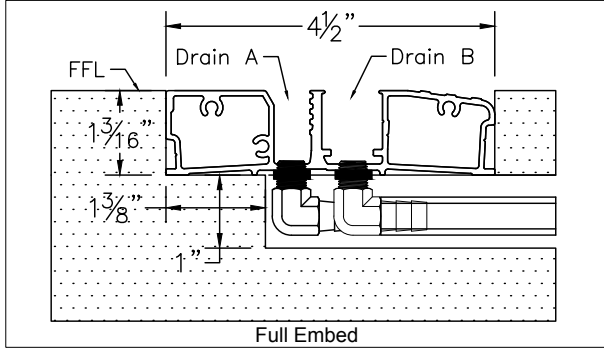
**Non-FPA**

**EMBED OPTIONS**



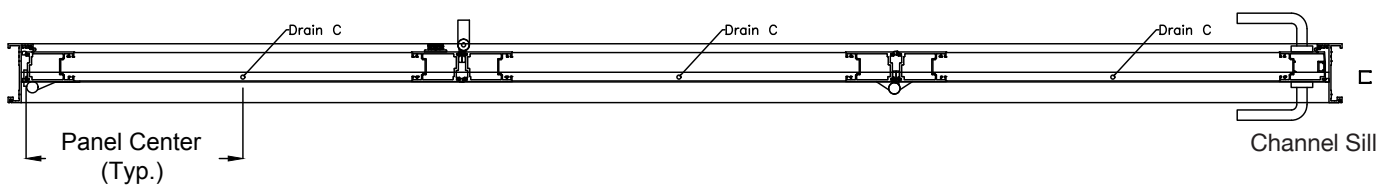
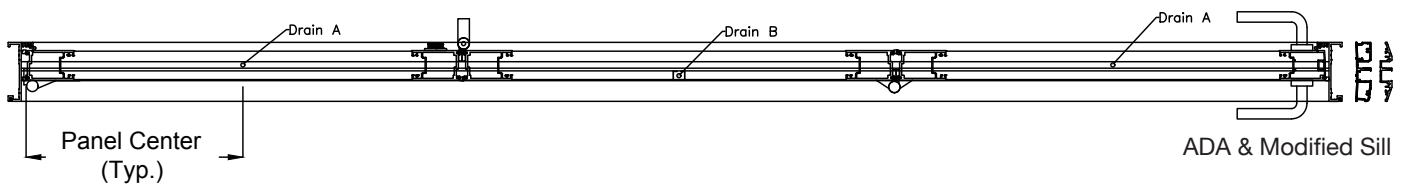
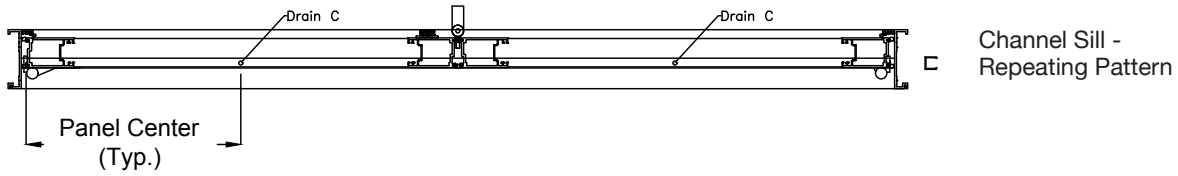
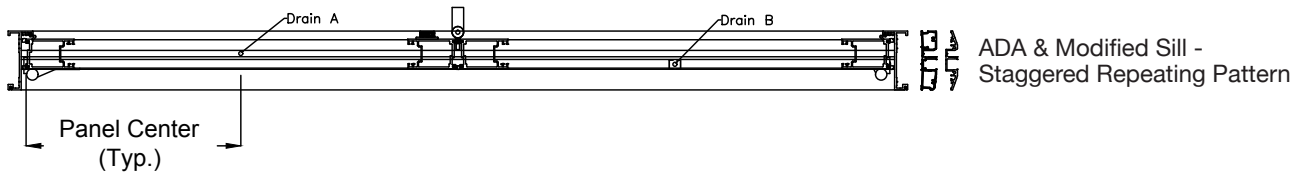
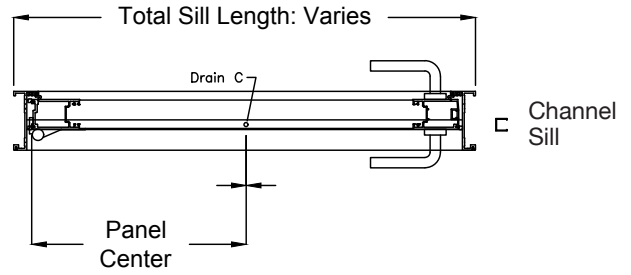
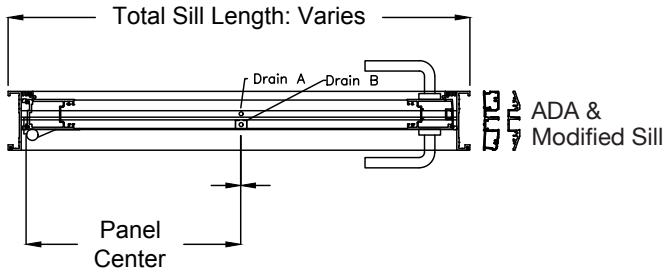
**WATER MANAGEMENT**

**Typical Drain Hole Embedding**

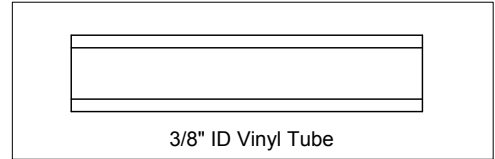
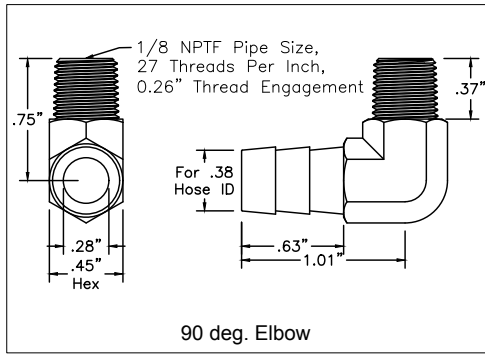
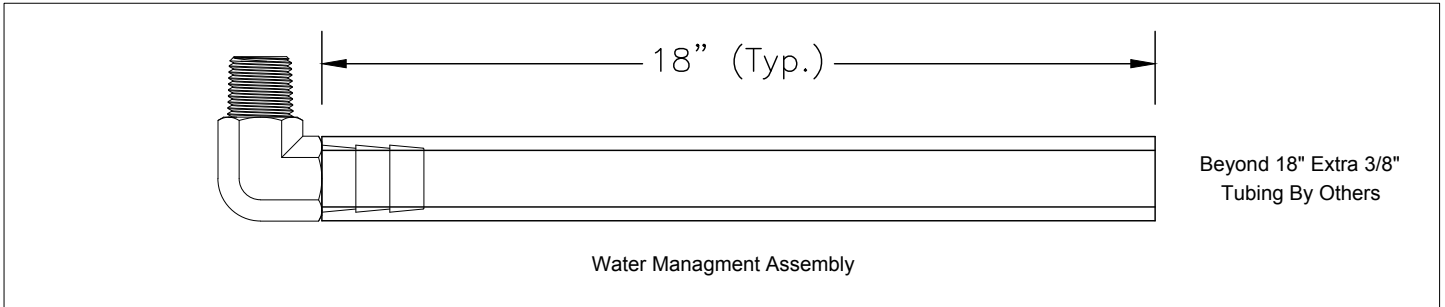


**Typical Drain Hole Location**

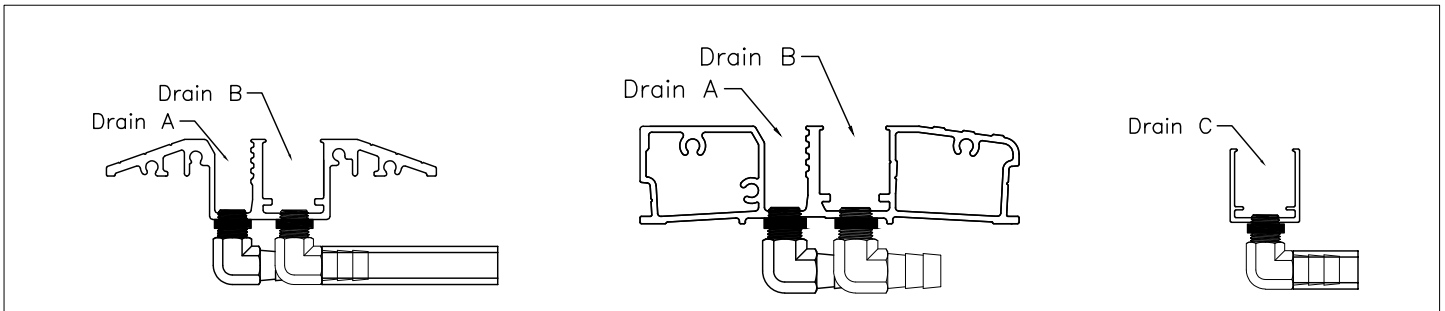
Drill using a  $\frac{5}{16}$ " Bit, and Tap using a  $\frac{1}{8}$ " NPT, with 27 Threads per Inch



**Water Management System Parts**

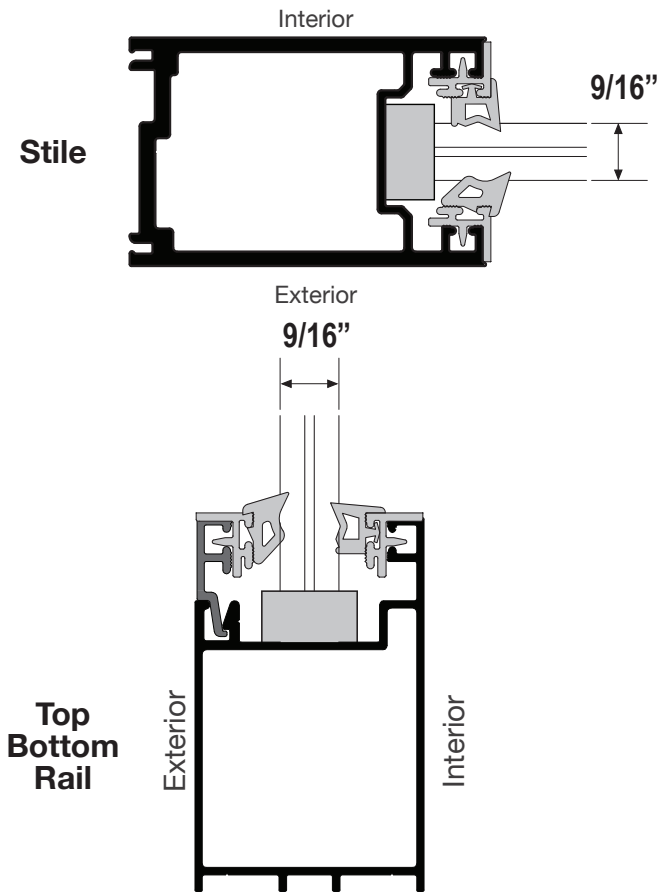


**Typical Drain Hole Location**

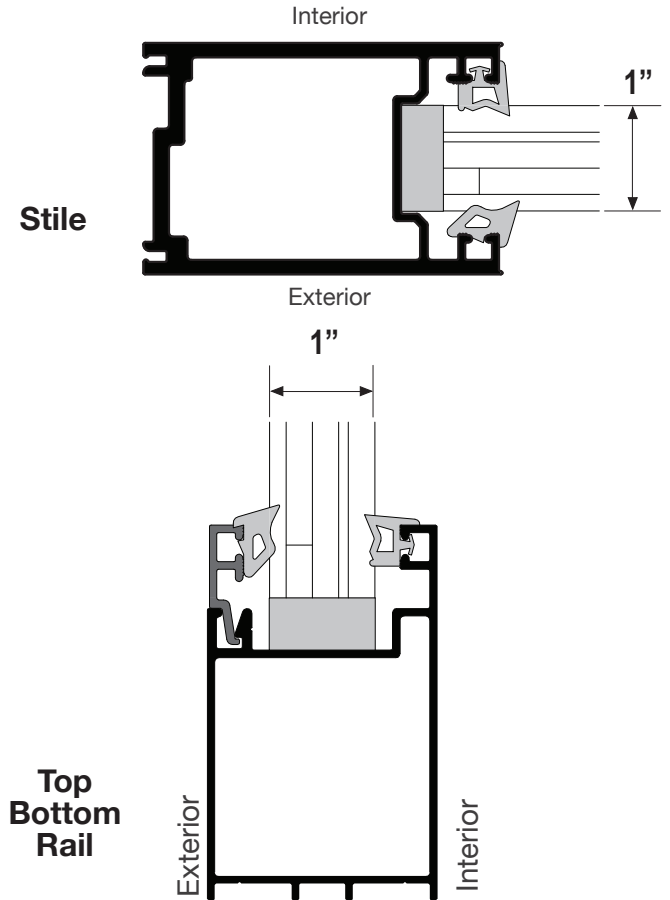


**GLAZING DETAILS**

**Impact Glass (9/16" Monolithic)**



**IG Impact**



**Impact**

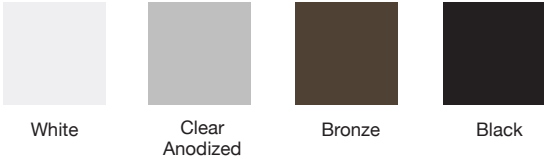
- 1" Insulated Impact
- 9/16" Mono Impact

**Non-Impact**

- 1/4" Tempered
- 1/2" Tempered
- 1" Insulated
- 3/8" Tempered
- 1/2" Laminated

## FINISH OPTIONS

### Standard Finishes



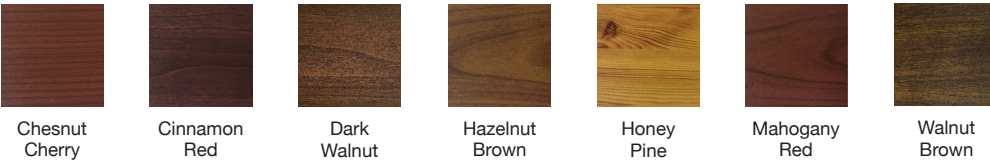
### Standard Wood Finishes



### Exotic Wood Finishes



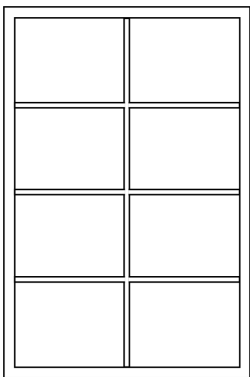
### Faux Wood Grain Finishes



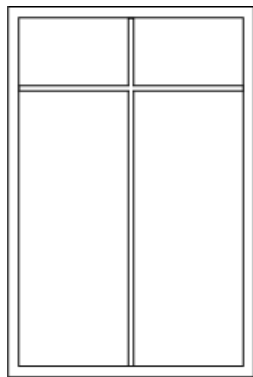
*NOTE: All Interior wood clad veneer products should be properly finished or sealed within 36 hours of delivery or stored in a climate controlled space until it can be properly finished or sealed.*

## GRID OPTIONS

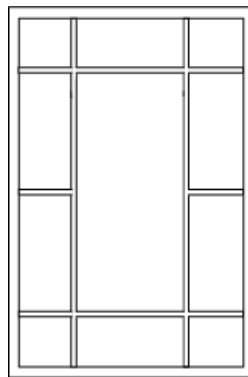
These muntin configurations are just a few examples of the numerous possibilities. All configurations are available in aluminum or wood.



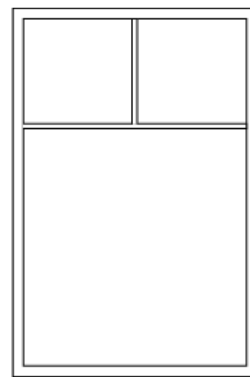
**Traditional Grid**



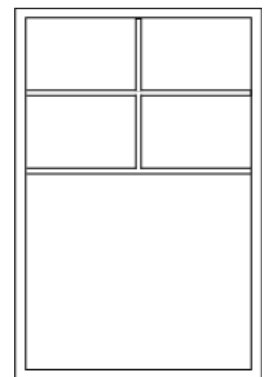
**Cross Grid**



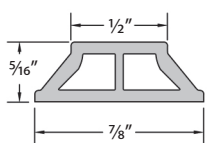
**English Grid**



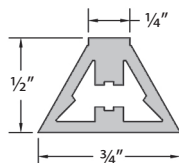
**Ladder**



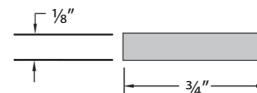
**Double Ladder**



**7/8" OGEE MUNTIN**  
E0072



**3/4" RAISED MUNTIN**  
E0070

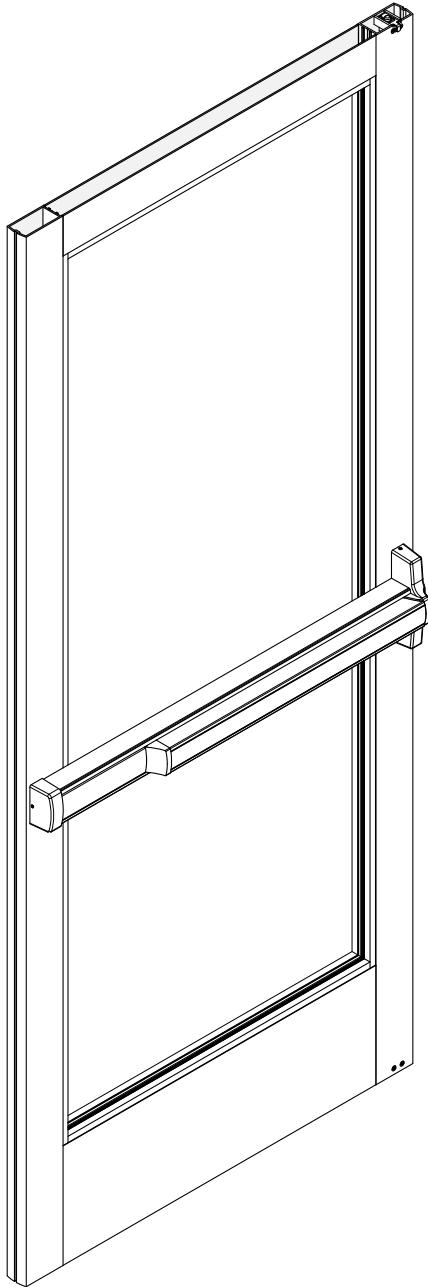


**3/4" FLAT MUNTIN**  
E0068

**NOTE:** The 3/4" flat muntin is primarily used for sliding doors, however if your project has folding and sliding doors this muntin will be used to make them all match.

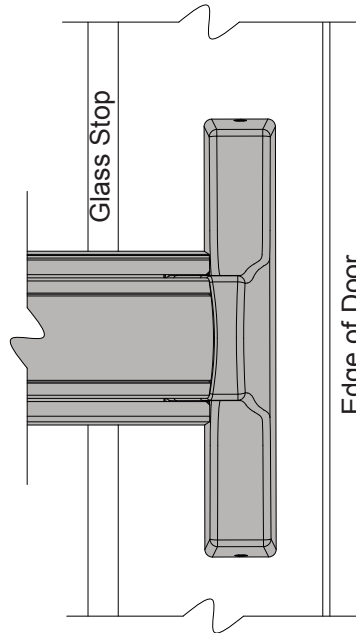
**NOTE:** Additional muntin, kickplate, and midrail options available upon request.

**ADA - PANIC BARS**

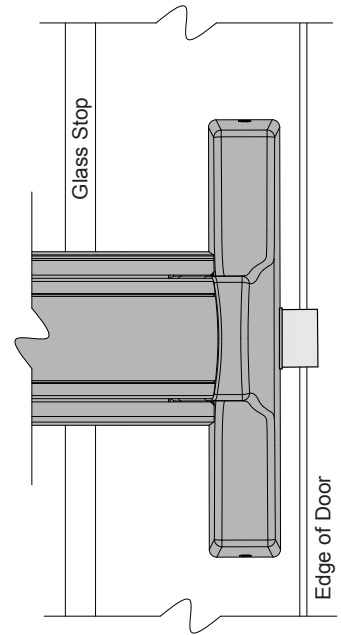


**Interior Access**

**Two Component / Astragal Condition**

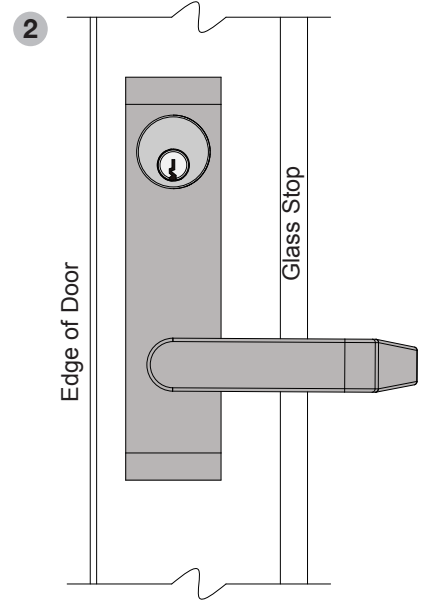
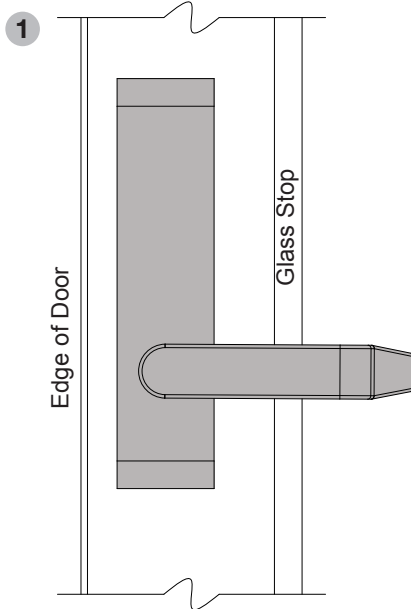


**Single Component Non-Impact**  
*By Request Only*

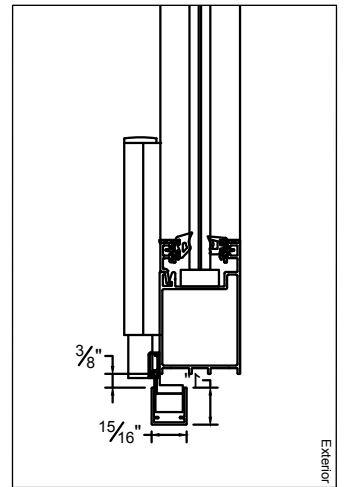
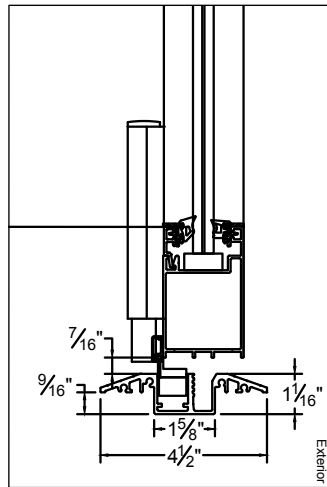
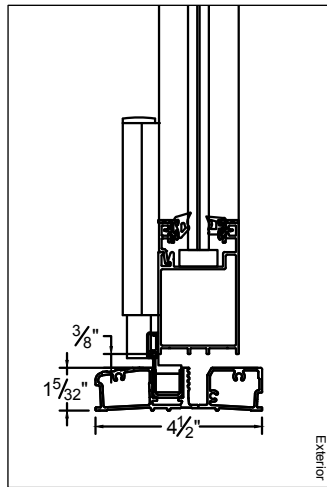
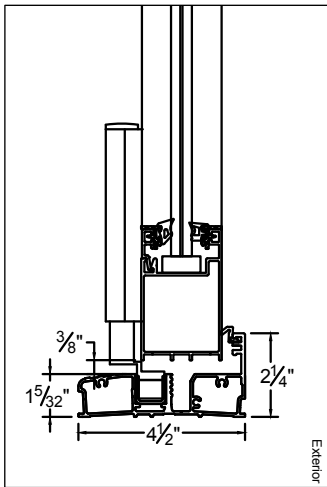
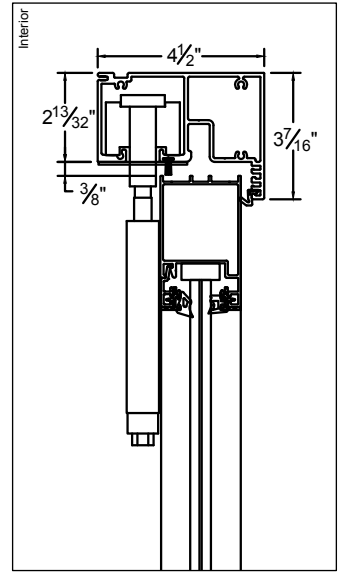
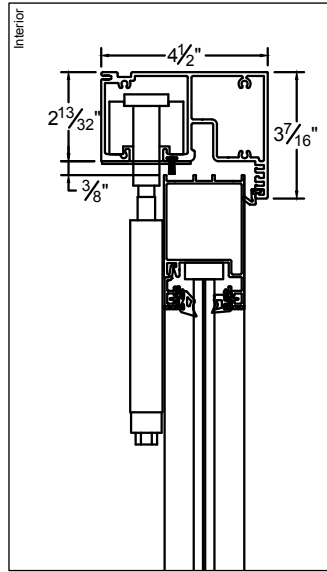
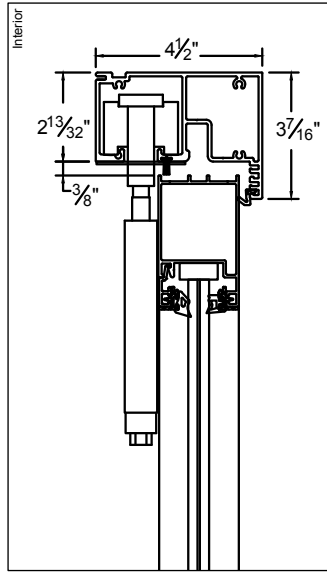
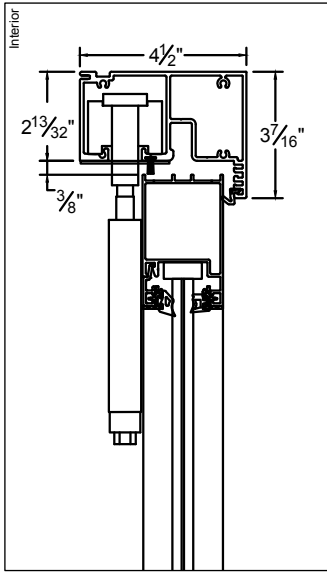


**Exterior Access**

**Note: Optional to have no exterior access.**



ELEVATION DETAILS - INSWING



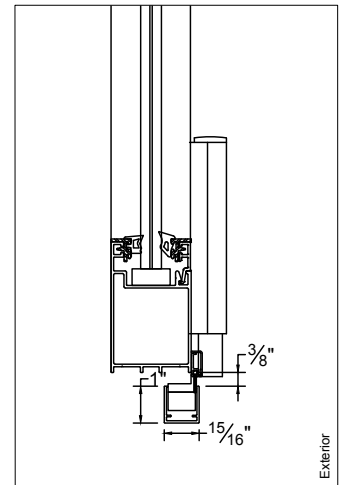
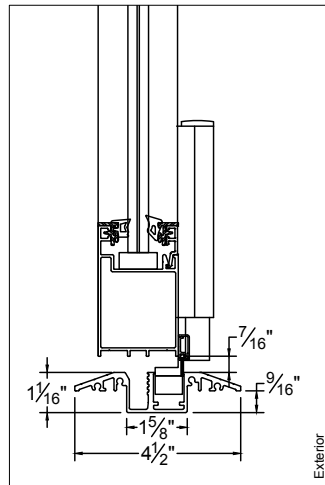
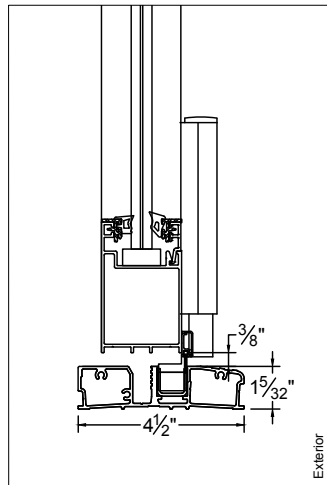
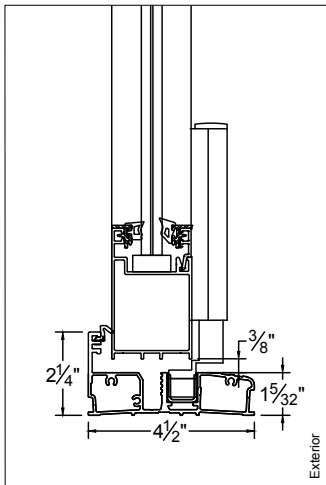
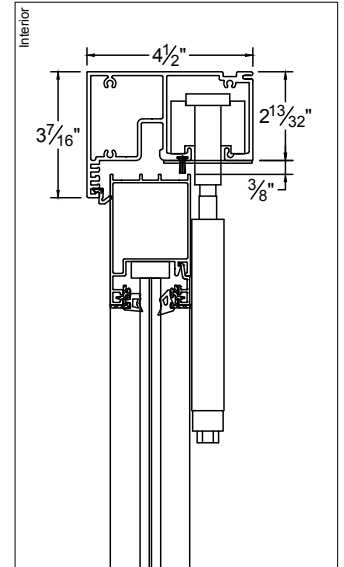
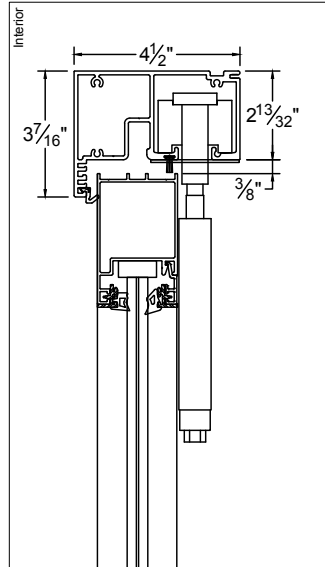
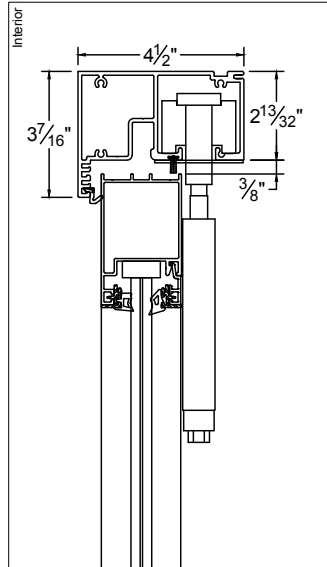
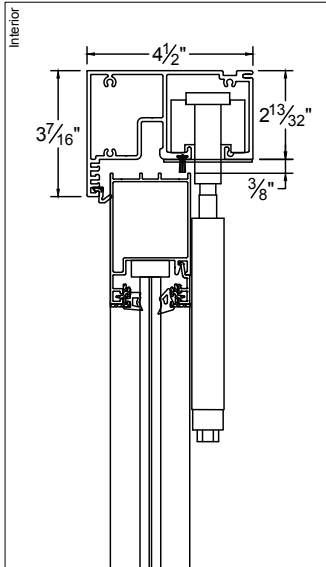
Standard Sill

Modified Sill

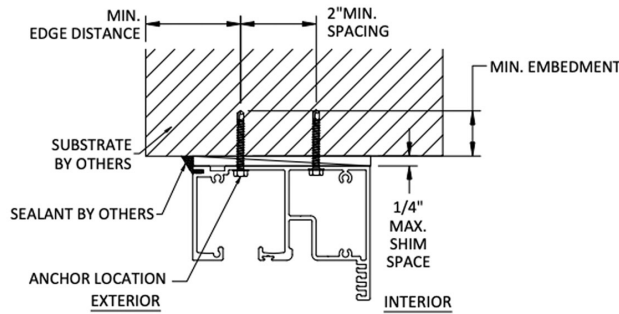
ADA Sill

Channel Sill

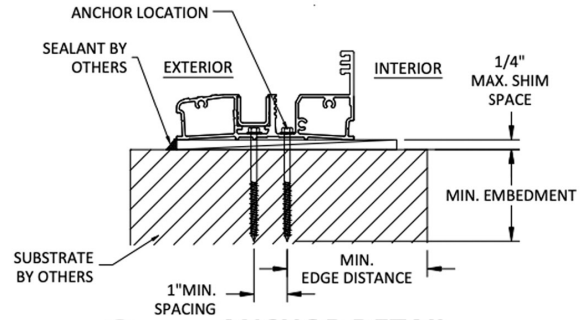
ELEVATION DETAILS - OUTSWING



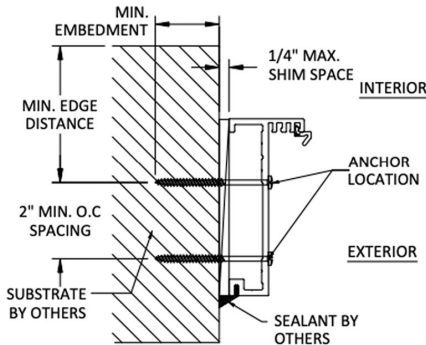
## ANCHOR DETAILS



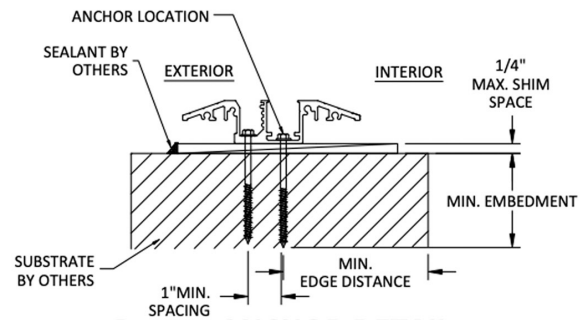
**A**  
**6** **ANCHOR DETAIL**  
HEAD - THROUGH FRAME



**B**  
**6** **ANCHOR DETAIL**  
STANDARD SILL - THROUGH FRAME  
INSWING/OUTSWING



**C**  
**6** **ANCHOR DETAIL**  
JAMBS - THROUGH FRAME



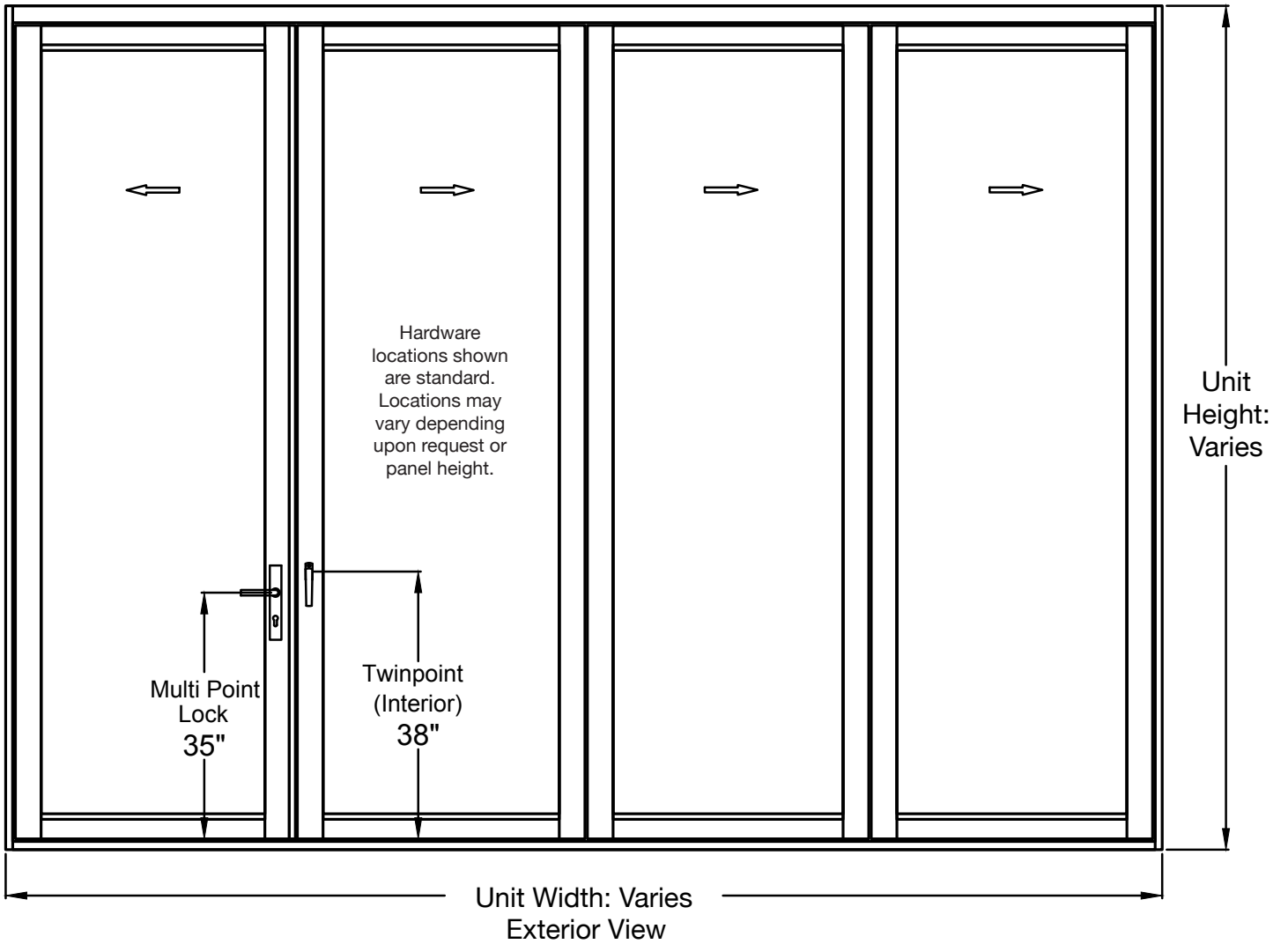
**D**  
**6** **ANCHOR DETAIL**  
ADA SILL - THROUGH FRAME

ANCHOR SCHEDULE					
INSTALLATION TYPE	QTY PER LOCATION	SUBSTRATE	ANCHOR TYPE	EMBEDMENT (IN.)	EDGE DISTANCE (IN.)
THRU FRAME	2	WOOD (MIN. S.G. = 0.55)	#14 WOOD SCREW	1.5000	0.7500
	2	CONCRETE (MIN. F'C = 2,000 psi) OR CMU (PER ASTM C90)	1/4" ITW TAPCON	1.7500	2.5000
	2	METAL STUD (STEEL MIN. 18GA, Fy = 33ksi) ALUMINUM MIN 1/8", 6063-T5)	1/4" SMS OR SELF DRILLING SCREW	3 THREADS PENETRATION BEYOND METAL WALL	0.5000

- Two installation anchors required at each location shown.
- Option 1x and 2x wood studs for concrete/CMU installation.
- The number of installation anchors depicted is the minimum number of anchors to be used for the product installation of the maximum size listed.
- Install individual installation anchors within a tolerance of  $\pm 1/2$  inch the depicted location and spacing in the anchor layout details (I.E. without consideration of tolerances). Tolerances are not cumulative from one installation anchor to the next.
- Shim as required at each installation anchor with load bearing shim(s). Maximum allowable shim stack to be 3/8 inch. Shim where space of 1/16 inch or greater occurs. Shim(s) shall be constructed of high density plastic or better.

- Minimum embedment and edge distance exclude wall finishes, including but not limited to stucco, foam, brick veneer and siding.
- Installation anchors and associated hardware must be made of corrosion resistance material or have a corrosion resistant coating.
- For hollow block and grout filled block, do not install installation anchors into mortar joints. Edge distance is measured from free edge of block or edge of mortar joint into face shell of block.
- Installation anchors shall be installed in accordance with anchor manufacturer's installation instructions, and anchors shall not be used in substrates with strength less than the minimum strength specified by the anchor manufacturer.

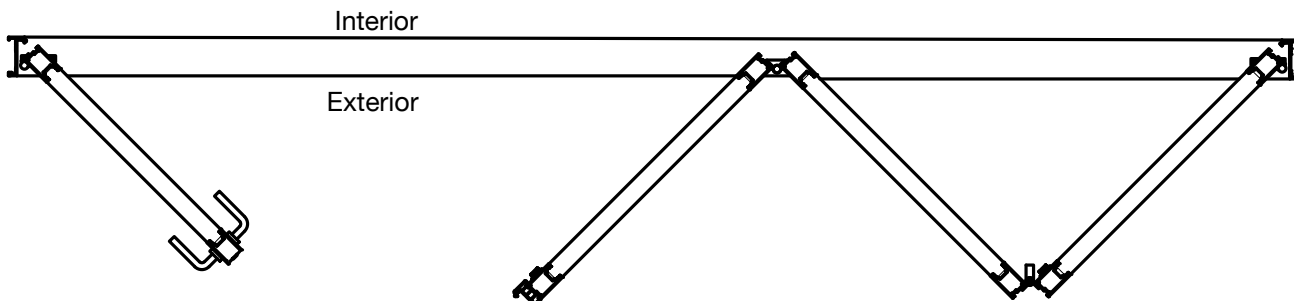
**1 Left 3 Right Outswing Configuration Shown**



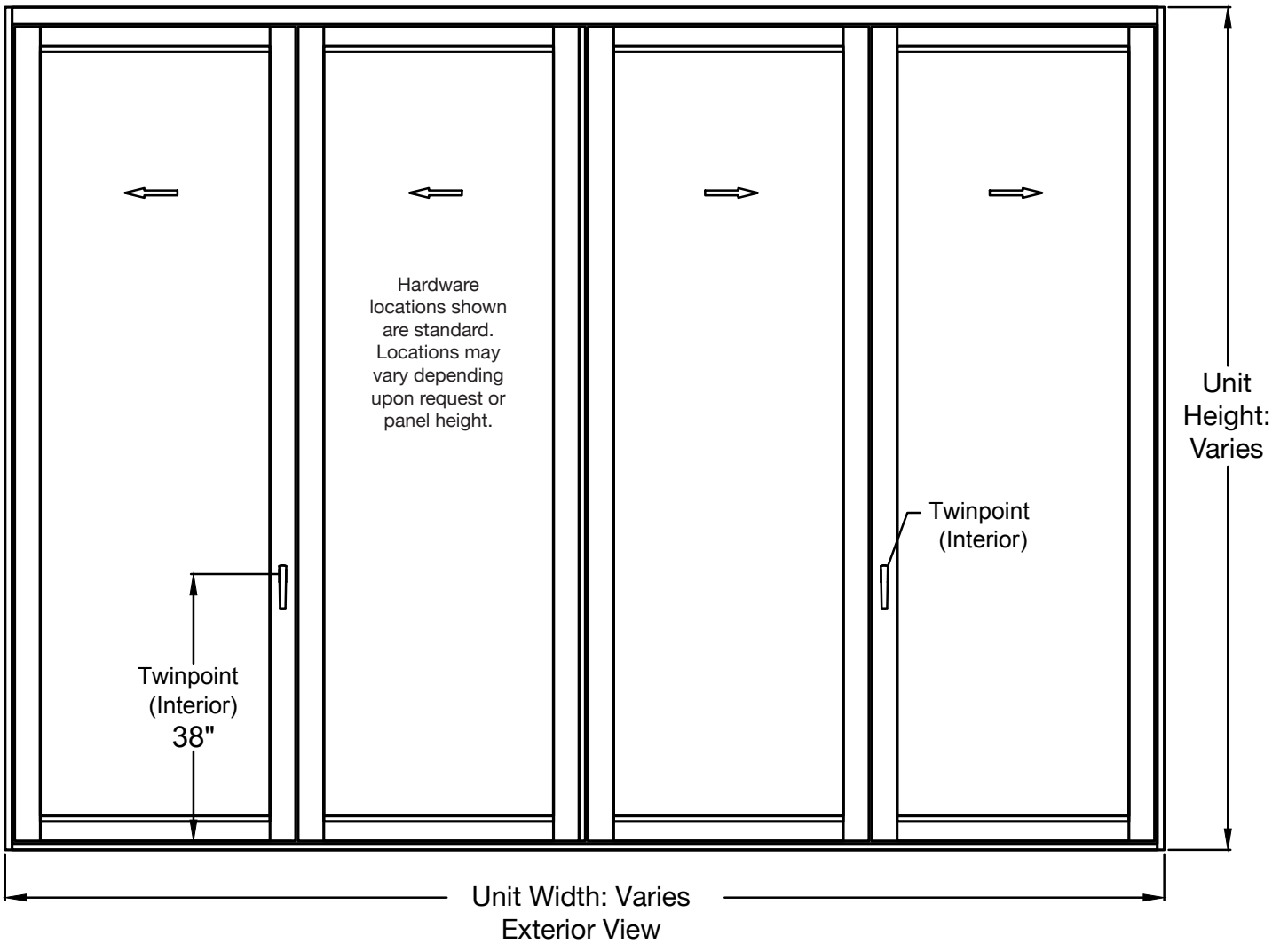
EXTERIOR ELEVATION



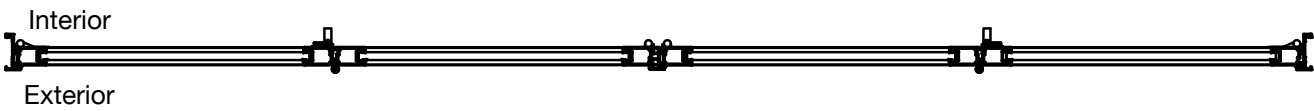
HORIZONTAL CROSS SECTION



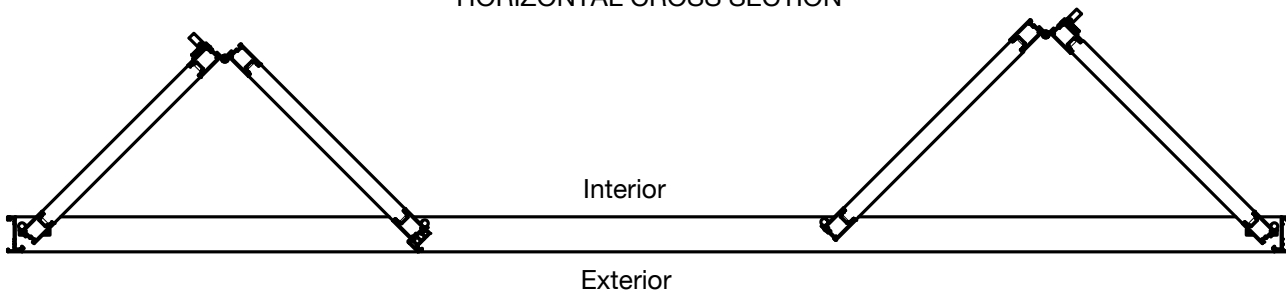
**2 Left 2 Right Inswing Configuration Shown**



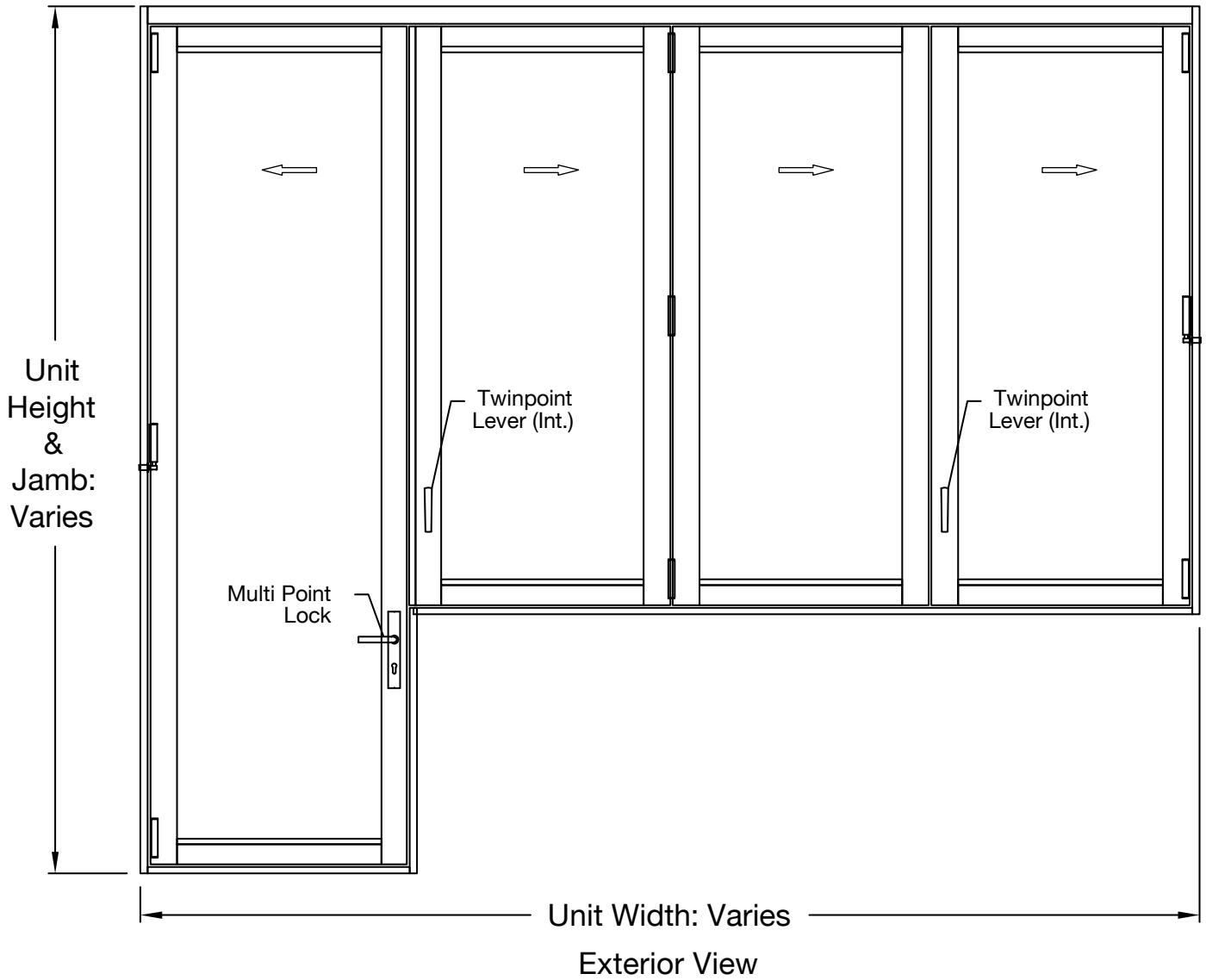
EXTERIOR ELEVATION



HORIZONTAL CROSS SECTION



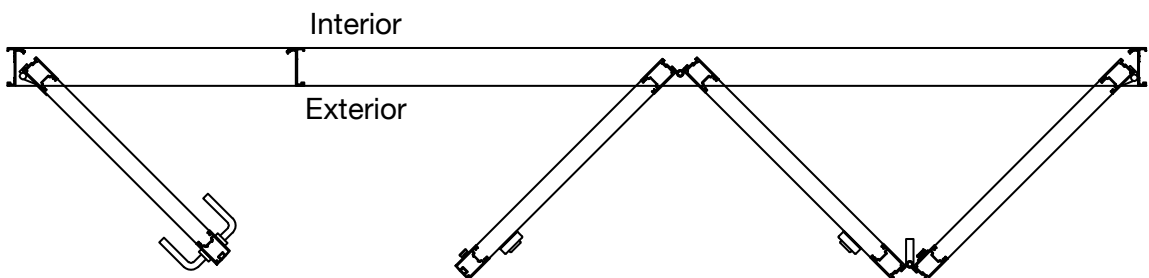
**1 Left 3 Right Split Configuration Shown**



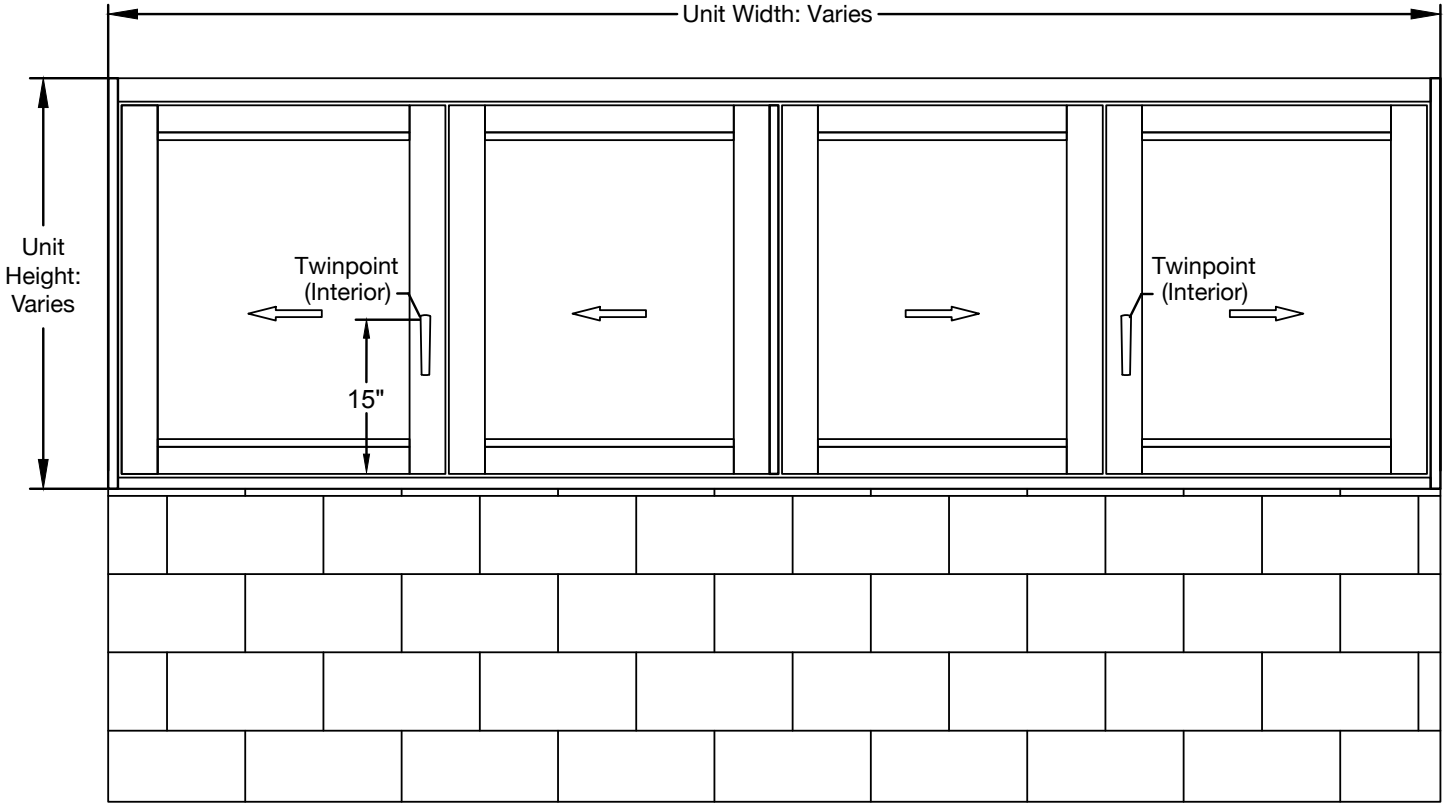
EXTERIOR ELEVATION



HORIZONTAL CROSS SECTION

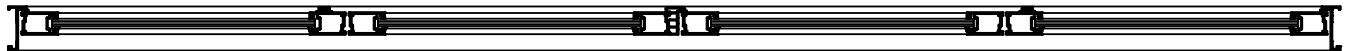


**2 Left 2 Right Outswing Bar Top Configuration Shown**



Exterior View

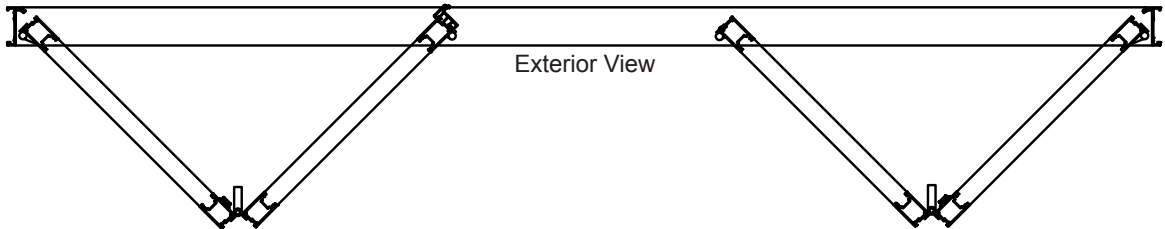
EXTERIOR ELEVATION



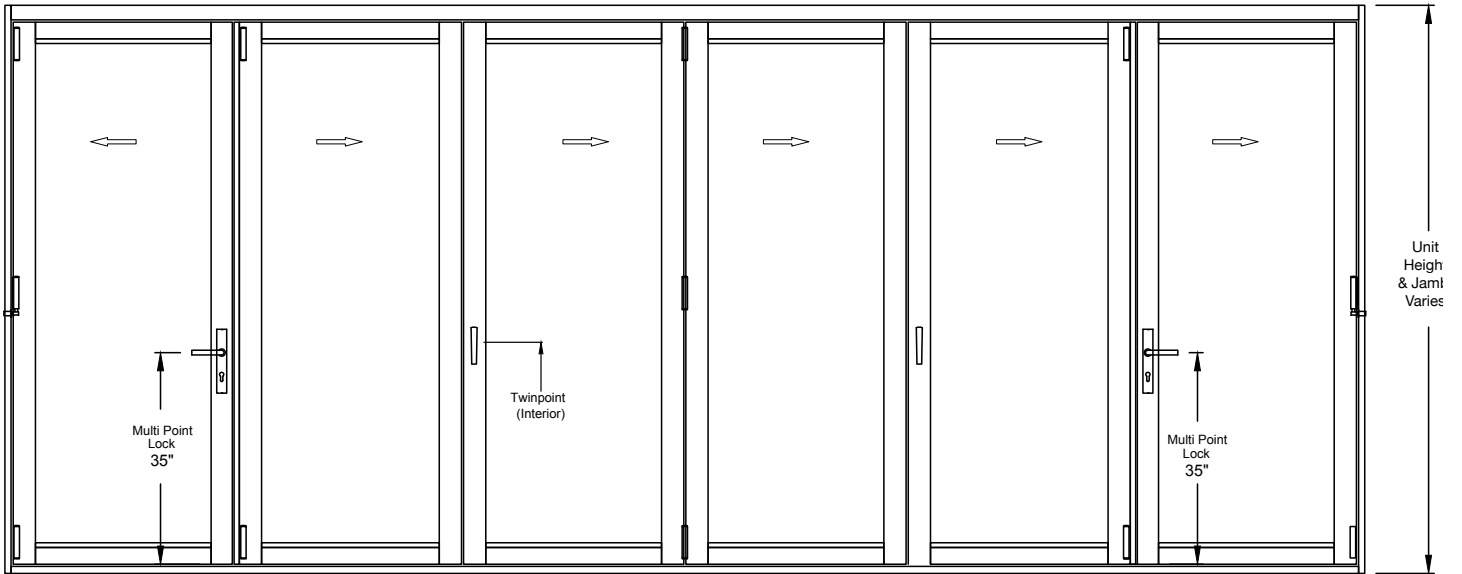
HORIZONTAL CROSS SECTION

Interior View

Exterior View



**1 Left 4 Left/Right 1 Right Multidirectional Configuration Shown**



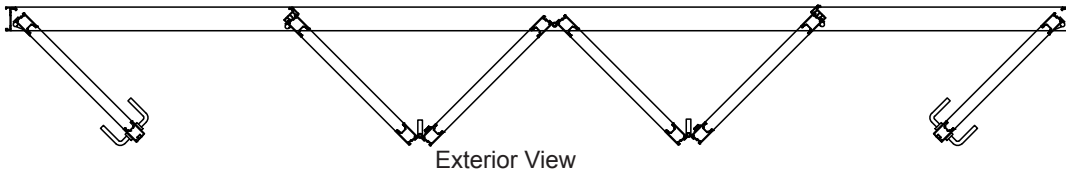
Exterior View

EXTERIOR ELEVATION



HORIZONTAL CROSS SECTION

Interior View



Exterior View

## DESIGN PRESSURE CHART

### HVHZ & Wind Zone 3

		Panel Width									
		20	24	28	32	36	40	44	48	52	
Panel Height	72	65	65	65	65	65	65	65	65	65	HVHZ
	78	65	65	65	65	65	65	65	65	65	
	84	65	65	65	65	65	65	65	65	65	
	90	65	65	65	65	65	65	65	65	65	
	96	65	65	65	65	65	65	65	65	65	
	102	65	65	65	65	65	65	65	65		
	108	65	65	65	65	65	65	65	65		
	114	65	65	65	65	65	65	65			
	120	65	65	65	65	65	65				
	126	65	65	65	65	65	65				
	132	65	65	65	65	65					
	138	65	65	65	65	65					
	144	65	65	65	65	65					
	150	65	65	65	65						
	156	65	65	64.9	64.3						
	162	65	65	57.9	57						
168	65	60.4	51.9	50.9							

WIND ZONE 3

### Non-Impact

		Panel Width								
		20	24	28	32	36	40	44	48	52
Panel Height	72	100	100	100	100	100	97.5	88.6	81.3	75
	78	100	100	100	100	100	97.5	88.6	81.3	75
	84	100	100	100	100	100	97.5	88.6	81.3	75
	90	100	100	100	100	100	97.5	88.6	81.3	75
	96	100	100	100	100	100	97.5	88.6	81.3	75
	102	100	100	100	98.7	88.6	80.7	74.4	69.2	64.9
	108	100	100	93.8	82.8	75	68.1	65	59.6	55
	114	100	92.2	79.5	75	75	68.1	65	59.6	55
	120	94.2	78.9	75	75	68.1	63.5	58.3	54	50.4
	126	81.3	75	74.4	65.5	65	58.5	53.2	48.8	45
	132	75	75	65	65	65	58.5	53.2	48.8	
	138	75	65.6	65	65	65	58.5	53.2	48.8	
	144	69	65	65	65	58.5				
	150	65	65	65	64.3	57.4				
	156	65	65	64.9	57	50.9				
	162	65	65	57.9	50.9					
	168	65	60.4	51.9	45.6					
	174	65	54.3	46.7						
180	58.7	49	42.1							

## TEST PERFORMANCE RESULTS

- Approved for use in Miami-Dade HVHZ Zone
- Florida Building Code Approved  
Product Approval FL 17838
- Air Infiltration: ASTM E283-04
- Water Infiltration: ASTM E331-00
- Wind Load: TAS 202-94
- Large Missile Impact: TAS 201-94
- Cyclic Load: TAS 203-94
- Forced Entry: ASTM F842-14





## **EURO-WALL 10 YEAR WARRANTY**

Euro-Wall warrants the products to be free from manufacturing defects for a period of 10 years from the date of purchase.

---

888.989.EURO (3876)

[www.euro-wall.com](http://www.euro-wall.com)

### **MANUFACTURING**

2200 Murphy Court  
North Port, Florida 34289  
888.989.3876 • 941.979.5316



### **SHOWROOM**

1211 Stirling Road, Unit 102,  
Dania Beach, Florida 33004  
954.610.2572

Proud Member of the American Architectural Manufacturers Association.

