

# EURO-WALL, LLC

## VISTA DIRECT SET (HVHZ) (IMPACT)

euro-wall®  
SUPERIOR BY DESIGN

EURO-WALL, LLC  
P.O. BOX 8007  
NORTH PORT, FL 34290  
PH: 888-989-3876

### INSTALLATION NOTES:

- ONE (1) INSTALLATION ANCHOR IS REQUIRED AT EACH ANCHOR LOCATION SHOWN, UNLESS OTHERWISE STATED.
- THE NUMBER OF INSTALLATION ANCHORS DEPICTED IS THE MINIMUM NUMBER OF ANCHORS TO BE USED FOR PRODUCT INSTALLATION.
- INSTALL INDIVIDUAL INSTALLATION ANCHORS WITHIN A TOLERANCE OF ±1/4 INCH OF THE DEPICTED LOCATION IN THE ANCHOR LAYOUT DETAIL (I.E., WITHOUT CONSIDERATION OF TOLERANCES). TOLERANCES ARE NOT CUMULATIVE FROM ONE INSTALLATION ANCHOR TO THE NEXT.
- MINIMUM EMBEDMENT AND EDGE DISTANCE EXCLUDE WALL FINISHES, INCLUDING BUT NOT LIMITED TO STUCCO, FOAM, BRICK VENEER, AND SIDING.
- INSTALLATION ANCHORS AND ASSOCIATED HARDWARE MUST BE MADE OF CORROSION RESISTANT MATERIAL OR HAVE A CORROSION RESISTANT COATING.
- INSTALLATION ANCHORS SHALL BE INSTALLED IN ACCORDANCE WITH ANCHOR MANUFACTURER'S INSTALLATION INSTRUCTIONS, AND ANCHORS SHALL NOT BE USED IN SUBSTRATES WITH STRENGTHS LESS THAN THE MINIMUM STRENGTH SPECIFIED BY THE ANCHOR MANUFACTURER.
- INSTALLATION ANCHOR CAPACITIES FOR PRODUCTS HEREIN ARE BASED ON SUBSTRATE MATERIALS WITH THE FOLLOWING PROPERTIES:
  - STEEL - MIN. TENSILE YIELD STRENGTH OF 33 KSI. MIN. 18 GAUGE THICKNESS (0.0478").
  - WOOD - MINIMUM SPECIFIC GRAVITY = 0.55.
  - ALUMINUM - MIN. 6063-T5, MIN 1/8" WALL THICKNESS.
  - CONCRETE - MINIMUM COMPRESSIVE STRENGTH OF 3000 PSI.
  - GROUT FILLED CMU- UNIT STRENGTH CONFORMS TO ASTM C-90 WITH MINIMUM COMPRESSIVE STRENGTH OF 2000 PSI.

### GENERAL NOTES:

- THE PRODUCT SHOWN HEREIN IS DESIGNED AND MANUFACTURED TO COMPLY WITH THE CURRENT EDITION OF THE FLORIDA BUILDING CODE, **INCLUDING** HVHZ, AND HAS BEEN EVALUATED TO THE FOLLOWING:
  - ASTM E283-19
  - ASTM E330-14(21)
  - ASTM E331-00(16)
  - TAS 201-94
  - TAS 202-94
  - TAS 203-94
  - ASTM E1886-19
  - ASTM E1996-20
  - AAMA 501-15
- ADEQUACY OF THE EXISTING STRUCTURAL 2X WOOD FRAMING OR METAL STUD FRAMING AS A MAIN WIND FORCE RESISTING SYSTEM CAPABLE OF WITHSTANDING AND TRANSFERRING APPLIED PRODUCT LOADS TO THE FOUNDATION IS THE RESPONSIBILITY OF THE ENGINEER OR ARCHITECT OF RECORD FOR THE PROJECT OF INSTALLATION.
- 1X AND 2X BUCKS (WHEN USED) SHALL BE DESIGNED AND ANCHORED TO PROPERLY TRANSFER ALL LOADS TO THE STRUCTURE. BUCK DESIGN AND INSTALLATION IS THE RESPONSIBILITY OF THE ENGINEER OR ARCHITECT OF RECORD FOR THE PROJECT OF INSTALLATION.
- THE INSTALLATION DETAILS DESCRIBED HEREIN ARE GENERIC AND MAY NOT REFLECT ACTUAL CONDITIONS FOR A SPECIFIC SITE. IF SITE CONDITIONS CAUSE INSTALLATION TO DEVIATE FROM THE REQUIREMENTS DETAILED HEREIN, A LICENSED ENGINEER OR ARCHITECT SHALL PREPARE SITE SPECIFIC DOCUMENTS FOR USE WITH THIS DOCUMENT.
- APPROVED IMPACT PROTECTIVE SYSTEM **IS NOT REQUIRED** TO PROTECT THIS PRODUCT IN AREAS REQUIRING IMPACT RESISTANCE.
- GLASS MEETS THE REQUIREMENTS OF ASTM E1300. SEE GLAZING DETAILS ON SHEETS 2.
- WINDOW FRAME MATERIAL: 6063-T5 ALUMINUM
- DESIGNATION "X" AND "O" STAND FOR THE FOLLOWING  
X: OPERABLE PANEL  
O: FIXED PANEL

TABLE OF CONTENTS	
SHEET	SHEET DESCRIPTION
1	INSTALLATION & GENERAL NOTES
2	GLAZING DETAILS
3	ELEVATION & DP TABLE SINGLE UNIT
4	ELEVATION & DP TABLE MULLED UNIT
5	ANCHOR LAYOUTS
6	VERTICAL SECTIONS
7	HORIZONTAL SECTIONS
8	INSTALLATION DETAILS & ANCHOR SCHEDULE

DESIGN PRESSURE TABLE			
CONFIGURATION		WATER TEST PRESSURE	IMPACT RATED
SINGLE UNIT	SEE SHEET 3	10.5 PSF	LARGE & SMALL MISSILE IMPACT RATED
MULLED UNIT	SEE SHEET 4	10.5 PSF	

TITLE:  
VISTA DIRECT SET  
(HVHZ) (IMPACT)

INSTALLATIONS & GENERAL NOTES

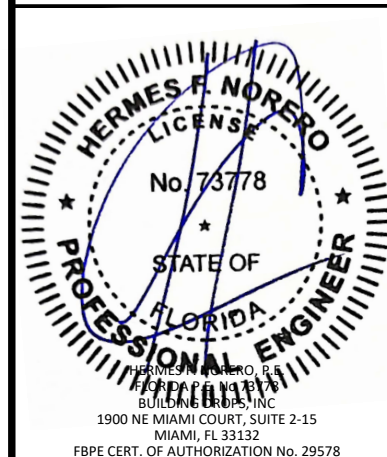
PREPARED BY:

**BUILDING DROPS, INC.**  
1900 NE MIAMI COURT, SUITE 2-15  
MIAMI, FL 33132  
PH: (954) 399-8478  
FAX: (954) 44-4738  
WEB: www.buildingdrops.com



REMARKS	BY	DATE

THE INSTALLATION DETAILS DESCRIBED HEREIN ARE GENERIC AND MAY NOT REFLECT ACTUAL CONDITIONS FOR A SPECIFIC SITE. IF SITE CONDITIONS CAUSE INSTALLATION TO DEVIATE FROM THE REQUIREMENTS DETAILED HEREIN, A LICENSED ENGINEER OR ARCHITECT SHALL PREPARE SITE SPECIFIC DOCUMENTS FOR USE WITH THIS DOCUMENT.



FL #:  
**FL46965**

DATE: **08.08.2024**

DWG. BY: **SH**      CHK. BY: **HFN**

SCALE: **NTS**

DWG. #: **EWS042**

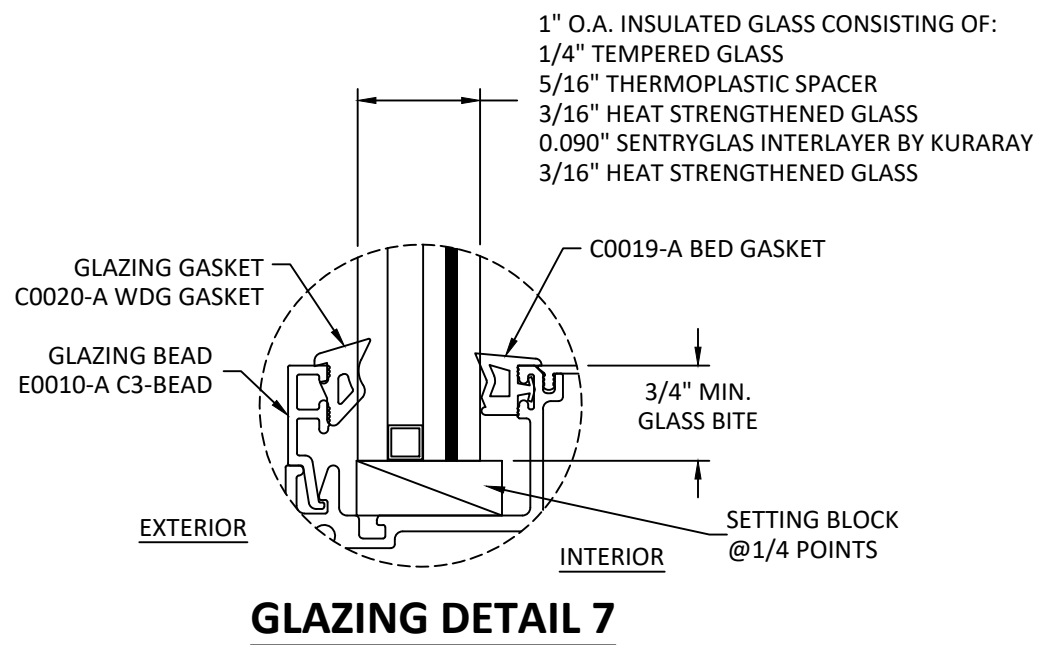
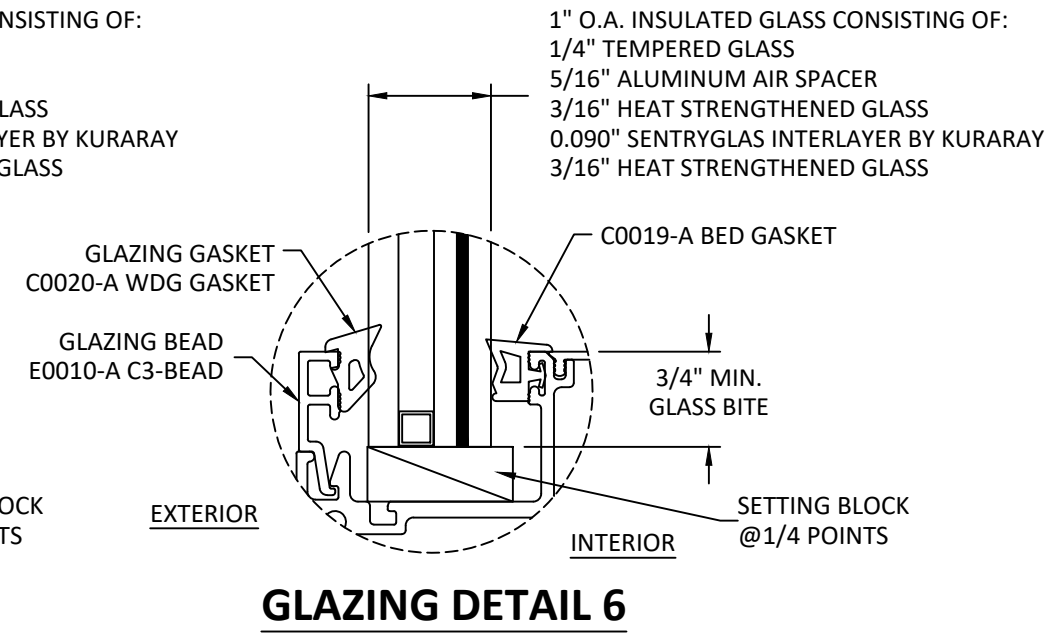
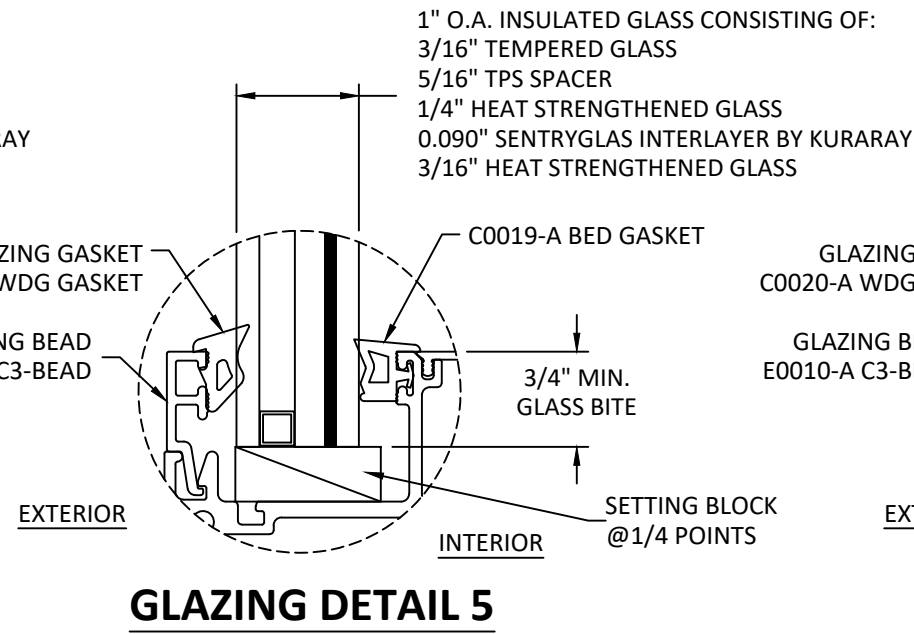
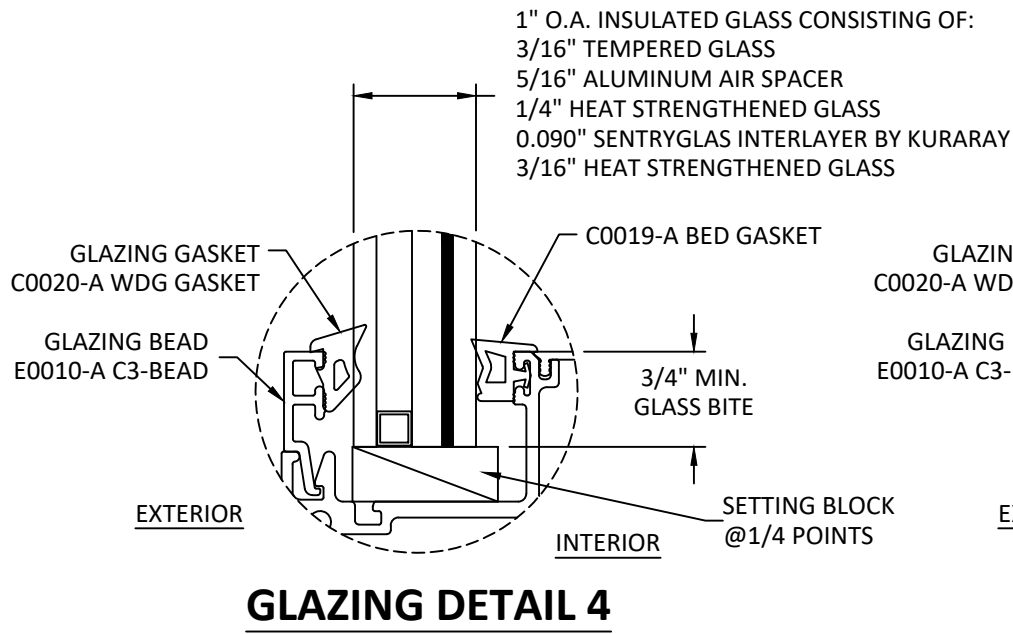
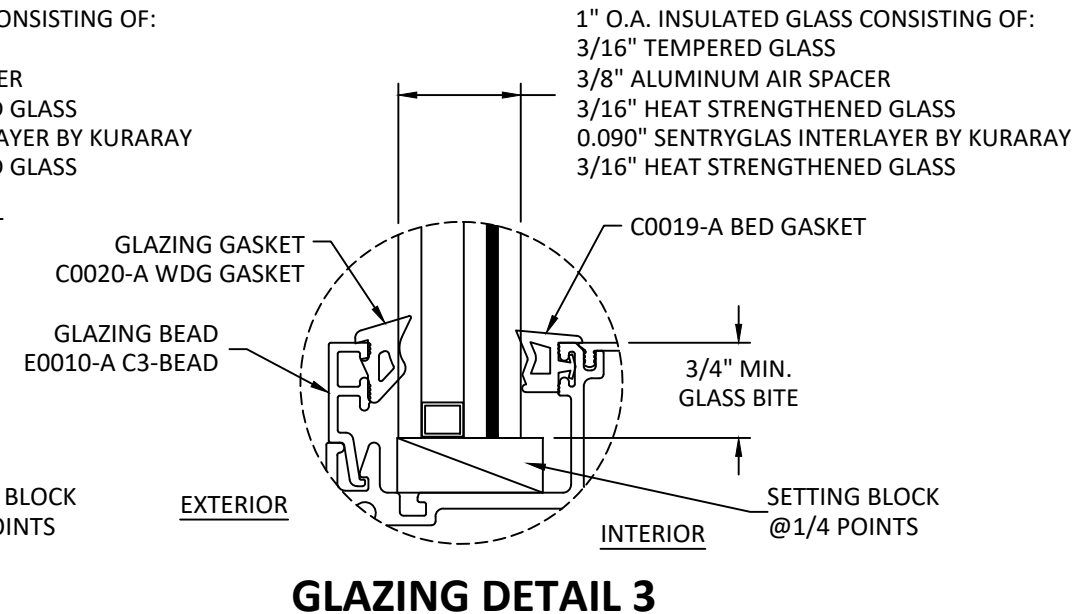
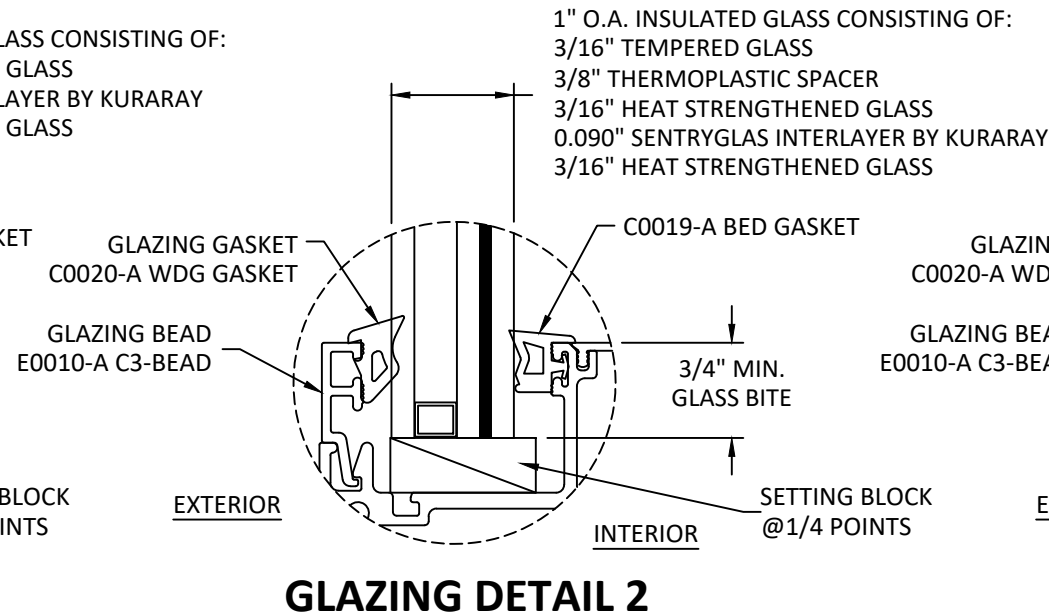
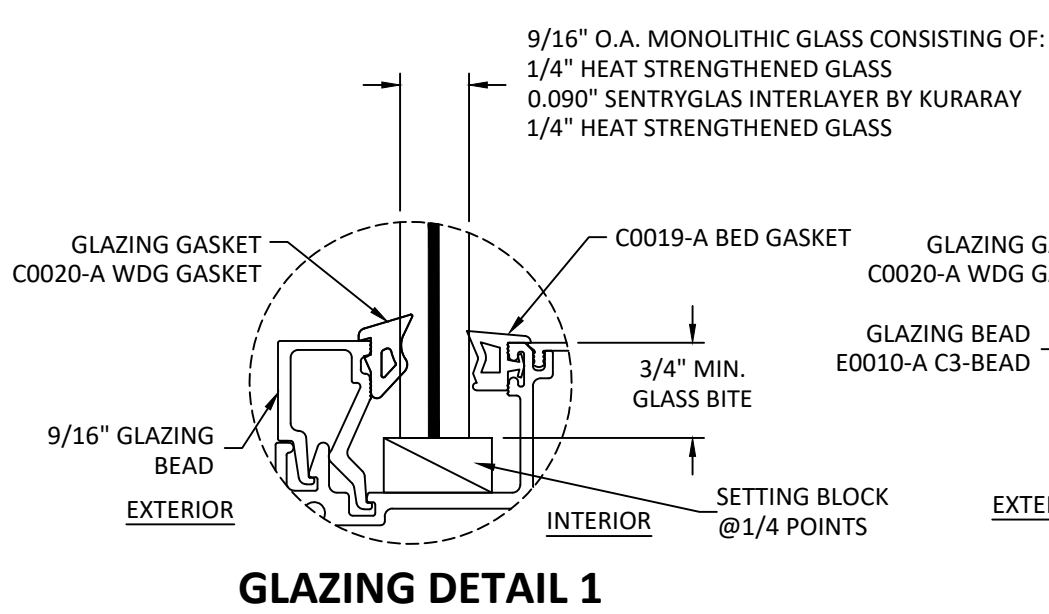
SHEET:

**1**

OF 8

8/21/2024 3:07 PM  
c:\users\sebastianhereros\building drops, inc\building drops, inc\projects\euro-wall, llc\fbp-24-0141 - fbc-submittal - v2-storefront-re-design\dwg\ews042.dwg

8/21/2024 3:07 PM  
 c:\users\sebastianhereros\building drops, inc\building drops, inc\projects\euro-wall, llc\fbcc-24-0141 - fbc submittal - v2 storefront re-design\dwgs\ews042.dwg



- GLAZING NOTES:**
1. GLASS TYPE COMPLIES WITH ASTM E1300 REQUIREMENTS.
  2. SETTING BLOCKS TO BE LOCATED AT 1/4 SPAN LENGTH FOR GLASS WIDER THAN 36" AS PER FBC CHAPTER 24.
  3. SETTING BLOCK DUROMETER HARDNESS OF 70-90 (SHORE A) AS REFERENCED IN FBC CHAPTER 24.
  4. GLASS TYPE SHALL COMPLY WITH APPLICABLE GLAZING REQUIREMENTS PER CHAPTER 24 OF THE FBC



EURO-WALL, LLC  
 P.O. BOX 8007  
 NORTH PORT, FL 34290  
 PH: 888-989-3876

**VISTA DIRECT SET (HVHZ) (IMPACT)**

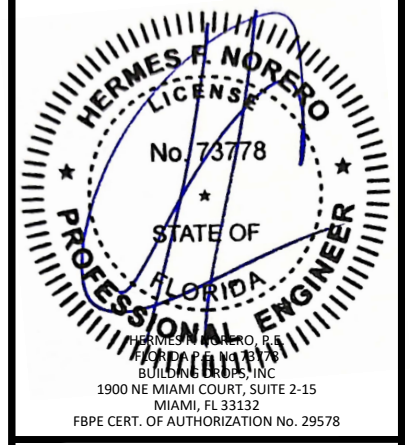
GLAZING DETAILS

PREPARED BY:  
**BUILDING DROPS, INC.**  
 1900 NE MIAMI COURT, SUITE 2-15  
 MIAMI, FL 33132  
 PH: (954)399-8478  
 FAX: (954)744-4738  
 WEB: www.buildingdrops.com



REMARKS	BY	DATE

THE INSTALLATION DETAILS DESCRIBED HEREIN ARE GENERIC AND MAY NOT REFLECT ACTUAL CONDITIONS FOR A SPECIFIC SITE. IF SITE CONDITIONS CAUSE INSTALLATION TO DEVIATE FROM THE REQUIREMENTS DETAILED HEREIN, A LICENSED ENGINEER OR ARCHITECT SHALL PREPARE SITE SPECIFIC DOCUMENTS FOR USE WITH THIS DOCUMENT.



FL #:  
**FL46965**

DATE: **08.08.2024**

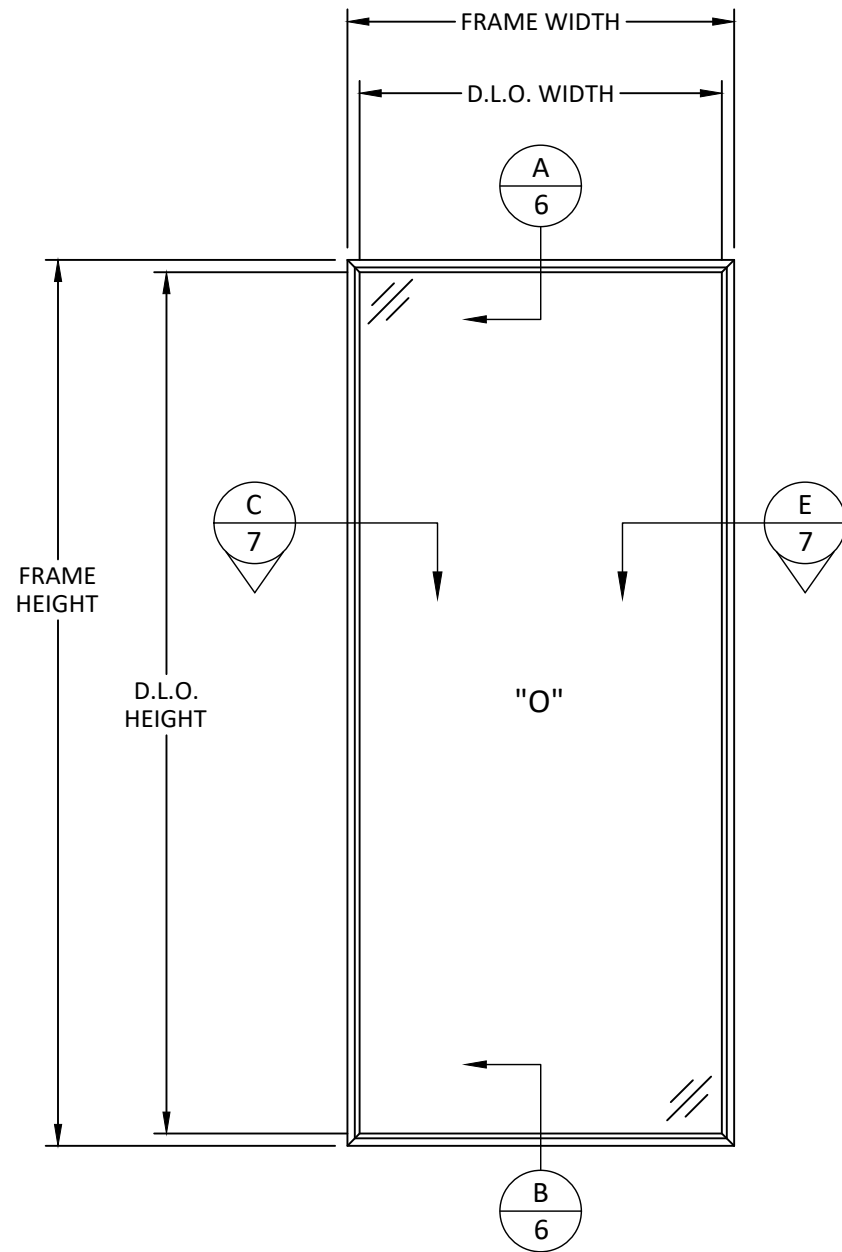
DWG. BY: **SH**      CHK. BY: **HFN**

SCALE: **NTS**

DWG. #: **EWS042**

SHEET:  
**2**  
 OF 8

c:\users\sebastianherrerros\building drops, inc\building drops, inc\projects\euro-wall, llc\fb-24-0141 - fbc submittal - v2 storefront re-design\dwgs\ews042.dwg 8/21/2024 3:07 PM

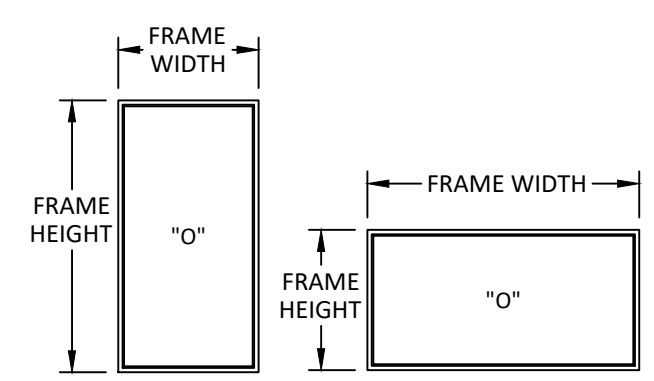


**ELEVATION**  
SINGLE UNIT

DAYLIGHT OPENING CALCULATIONS:  
 • D.L.O. HEIGHT = FRAME HEIGHT - 4.0"  
 • D.L.O. WIDTH = FRAME WIDTH - 4.0"

		SINGLE UNIT DESIGN PRESSURE TABLE (PSF)													
		FRAME WIDTH (IN.)													
		36	42	48	54	60	66	72	78	84	90	96	102	108	
FRAME HEIGHT (IN.)	78	70.0	70.0	70.0	70.0	70.0	63.6	58.3	53.8	53.8	53.8	53.8	53.8	53.8	
	84	70.0	70.0	70.0	70.0	70.0	63.6	58.3	53.8	50.0	50.0	50.0	50.0	-	
	90	70.0	70.0	70.0	70.0	70.0	63.6	58.3	53.8	50.0	46.7	46.7	-	-	
	96	70.0	70.0	70.0	70.0	70.0	63.6	58.3	53.8	50.0	46.7	-	-	-	
	102	70.0	70.0	70.0	70.0	70.0	63.6	58.3	53.8	50.0	-	-	-	-	
	108	70.0	70.0	70.0	70.0	70.0	63.6	58.3	53.8	-	-	-	-	-	
	114	70.0	70.0	70.0	70.0	70.0	63.6	58.3	-	-	-	-	-	-	
	120	70.0	70.0	70.0	70.0	70.0	63.6	58.3	-	-	-	-	-	-	
	126	70.0	70.0	70.0	70.0	70.0	63.6	-	-	-	-	-	-	-	
	132	70.0	70.0	70.0	70.0	70.0	-	-	-	-	-	-	-	-	
	138	70.0	70.0	70.0	70.0	70.0	-	-	-	-	-	-	-	-	
	144	70.0	70.0	70.0	70.0	70.0	-	-	-	-	-	-	-	-	
	150	70.0	70.0	70.0	70.0	-	-	-	-	-	-	-	-	-	
	156	70.0	70.0	70.0	70.0	-	-	-	-	-	-	-	-	-	
	162	70.0	70.0	70.0	-	-	-	-	-	-	-	-	-	-	
	168	70.0	70.0	70.0	-	-	-	-	-	-	-	-	-	-	

NOTE:  
 WINDOW WIDTH AND HEIGHT ARE  
 INTERCHANGEABLE FOR ALL SIZES SHOWN  
 HEREIN NOT TO EXCEED MAXIMUM  
 QUALIFIED SQUARE FOOT AREA.



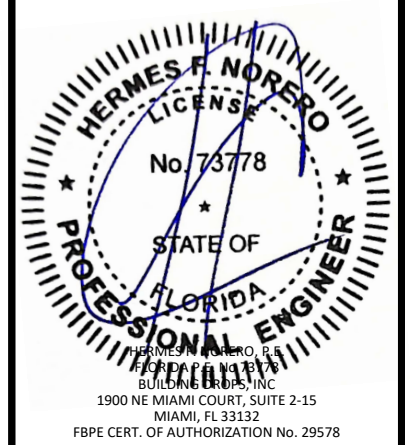
EURO-WALL, LLC  
 P.O. BOX 8007  
 NORTH PORT, FL 34290  
 PH: 888-989-3876

TITLE: **VISTA DIRECT SET  
 (HVHZ) (IMPACT)**  
 ELEVATION & DP TABLE  
 SINGLE UNIT

PREPARED BY:  
**BUILDING DROPS, INC.**  
 1900 NE MIAMI COURT, SUITE 2-15  
 MIAMI, FL 33132  
 PH: (954)399-8478  
 FAX: (954)744-4738  
 WEB: www.buildingdrops.com

REMARKS	BY	DATE

THE INSTALLATION DETAILS DESCRIBED HEREIN ARE GENERIC AND MAY NOT REFLECT ACTUAL CONDITIONS FOR A SPECIFIC SITE. IF SITE CONDITIONS CAUSE INSTALLATION TO DEVIATE FROM THE REQUIREMENTS DETAILED HEREIN, A LICENSED ENGINEER OR ARCHITECT SHALL PREPARE SITE SPECIFIC DOCUMENTS FOR USE WITH THIS DOCUMENT.



FL #:  
**FL46965**

DATE: **08.08.2024**

DWG. BY: **SH**      CHK. BY: **HFN**

SCALE: **NTS**

DWG. #: **EWS042**

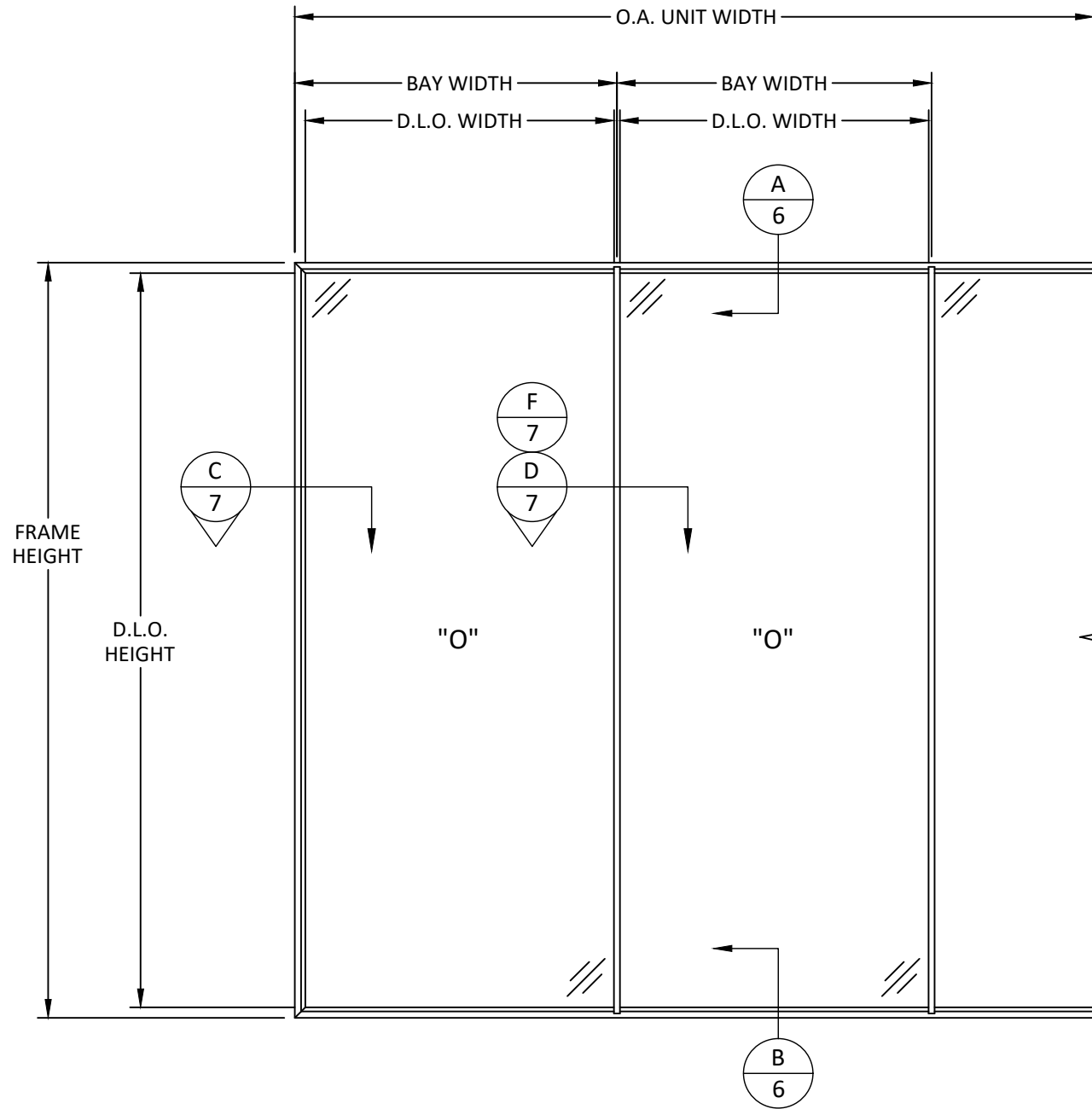
SHEET:  
**3**  
 OF 8

c:\users\sebastianherrerros\building drops, inc\building drops, inc\projects\euro-wall, llc\fbc-24-0141 - fbc submittal - v2 storefront re-design\dwgs\ews042.dwg 8/21/2024 3:07 PM

**TITLE:**  
VISTA DIRECT SET  
(HVHZ) (IMPACT)

ELEVATION & DP TABLE  
MULLED UNIT

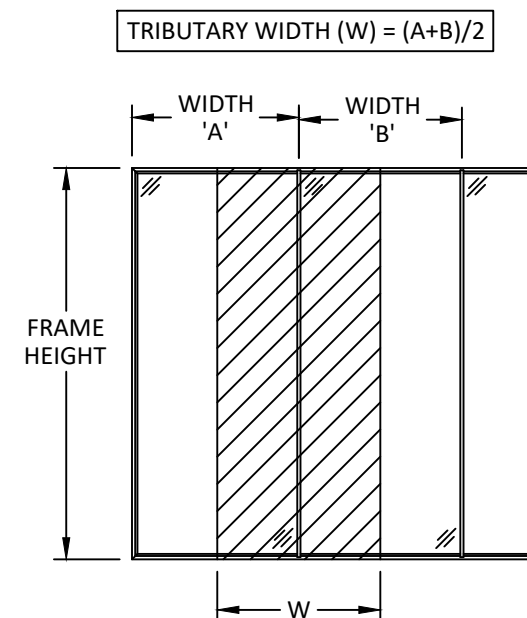
**PREPARED BY:**  
BUILDING DROPS, INC.  
1900 NE MIAMI COURT, SUITE 2-15  
MIAMI, FL 33132  
PH: (954)399-8478  
FAX: (954)744-4738  
WEB: www.buildingdrops.com



**ELEVATION**  
MULLED UNIT

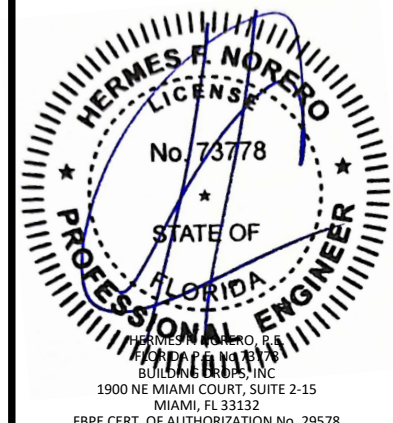
- DAYLIGHT OPENING CALCULATIONS:**
- D.L.O. HEIGHT = FRAME HEIGHT - 4.0"
  - D.L.O. WIDTH = TRIB. WIDTH - 2.3"

MULLED UNIT DESIGN PRESSURE TABLE (PSF)													
FRAME HEIGHT (IN.)	TRIBUTARY WIDTH (W) (IN.)												
	36	42	48	54	60	66	72	78	84	90	96	102	108
78	70.0	70.0	70.0	70.0	70.0	63.6	58.3	53.8	53.8	53.8	53.8	53.8	53.8
84	70.0	70.0	70.0	70.0	70.0	63.6	58.3	53.8	50.0	50.0	50.0	50.0	-
90	70.0	70.0	70.0	70.0	70.0	63.6	58.3	53.8	50.0	46.7	46.7	-	-
96	70.0	70.0	70.0	70.0	70.0	63.6	58.3	53.8	50.0	46.7	-	-	-
102	70.0	70.0	70.0	70.0	70.0	63.6	58.3	53.8	50.0	-	-	-	-
108	70.0	70.0	70.0	70.0	70.0	63.6	58.3	53.8	-	-	-	-	-
114	70.0	70.0	70.0	70.0	70.0	63.6	58.3	-	-	-	-	-	-
120	70.0	70.0	70.0	70.0	70.0	63.6	58.3	-	-	-	-	-	-
126	70.0	70.0	70.0	70.0	70.0	63.6	-	-	-	-	-	-	-
132	70.0	70.0	70.0	70.0	70.0	-	-	-	-	-	-	-	-
138	70.0	70.0	70.0	70.0	70.0	-	-	-	-	-	-	-	-
144	70.0	70.0	70.0	70.0	70.0	-	-	-	-	-	-	-	-



REMARKS	BY	DATE

THE INSTALLATION DETAILS DESCRIBED HEREIN ARE GENERIC AND MAY NOT REFLECT ACTUAL CONDITIONS FOR A SPECIFIC SITE. IF SITE CONDITIONS CAUSE INSTALLATION TO DEVIATE FROM THE REQUIREMENTS DETAILED HEREIN, A LICENSED ENGINEER OR ARCHITECT SHALL PREPARE SITE SPECIFIC DOCUMENTS FOR USE WITH THIS DOCUMENT.



FL #:  
**FL46965**

DATE: **08.08.2024**

DWG. BY: **SH**      CHK. BY: **HFN**

SCALE: **NTS**

DWG. #: **EWS042**



c:\users\sebastianherrerros\building drops, inc\building drops, inc\projects\euro-wall, llc\fb\24-0141 - fbc submittal - v2 storefront re-design\dwgs\views042.dwg 8/21/2024 3:07 PM

TITLE: **VISTA DIRECT SET  
(HVHZ) (IMPACT)**

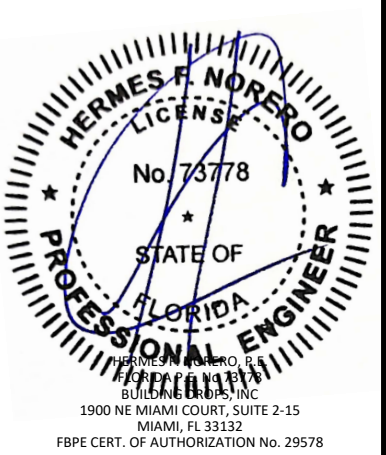
ANCHOR LAYOUTS

PREPARED BY:  
**BUILDING DROPS, INC.**  
1900 NE MIAMI COURT, SUITE 2-15  
MIAMI, FL 33132  
PH: (954) 399-8478  
FAX: (954) 744-4738  
WEB: www.buildingdrops.com



REMARKS	BY	DATE

THE INSTALLATION DETAILS DESCRIBED HEREIN ARE GENERIC AND MAY NOT REFLECT ACTUAL CONDITIONS FOR A SPECIFIC SITE. IF SITE CONDITIONS CAUSE INSTALLATION TO DEVIATE FROM THE REQUIREMENTS DETAILED HEREIN, A LICENSED ENGINEER OR ARCHITECT SHALL PREPARE SITE SPECIFIC DOCUMENTS FOR USE WITH THIS DOCUMENT.



FL #: **FL46965**

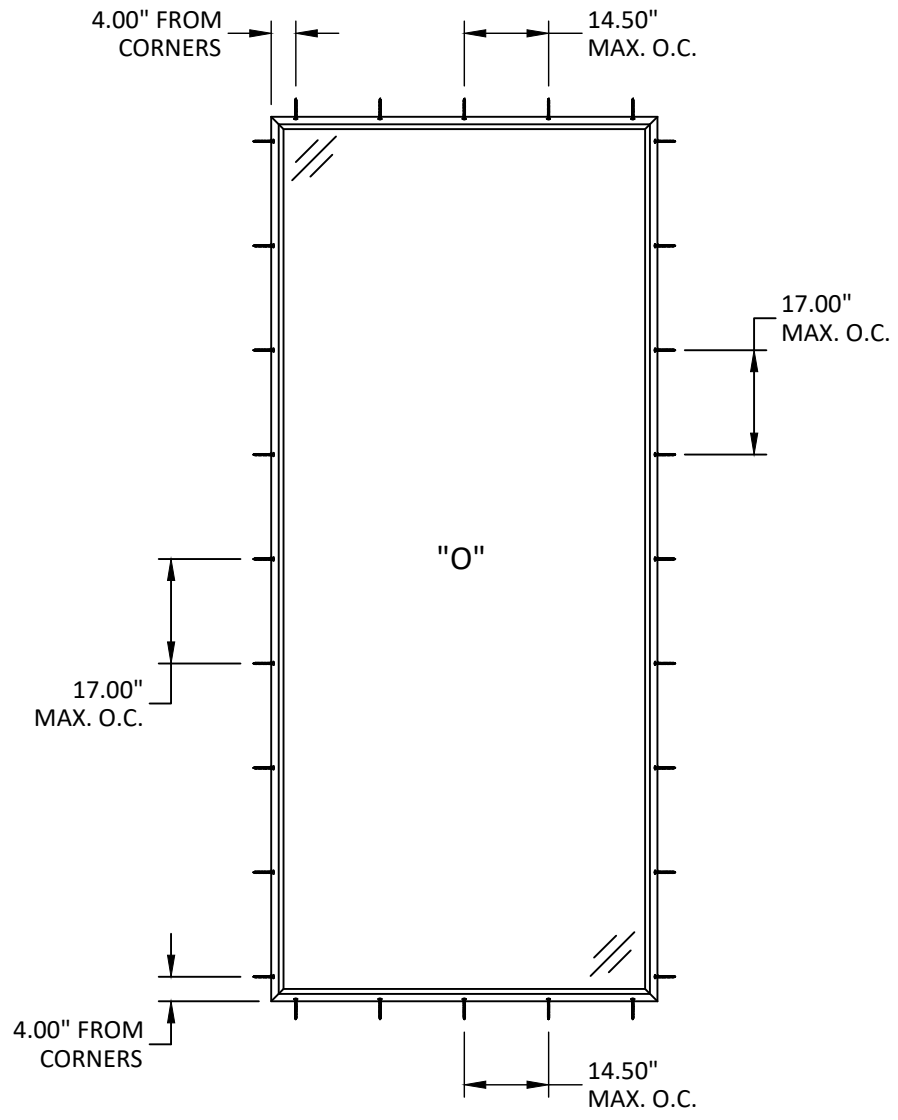
DATE: **08.08.2024**

DWG. BY: **SH**      CHK. BY: **HFN**

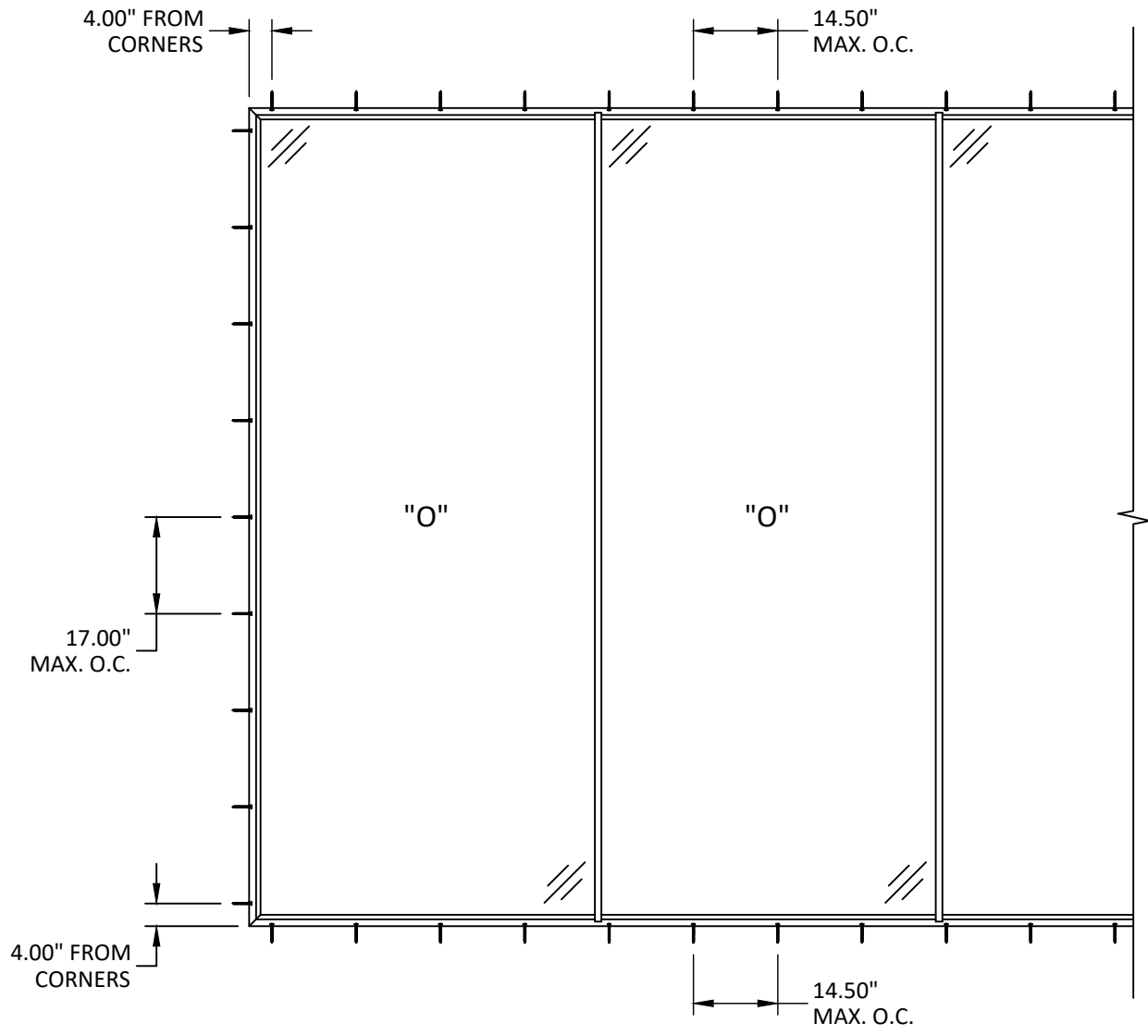
SCALE: **NTS**

DWG. #: **EWS042**

SHEET:  
**5**  
OF 8



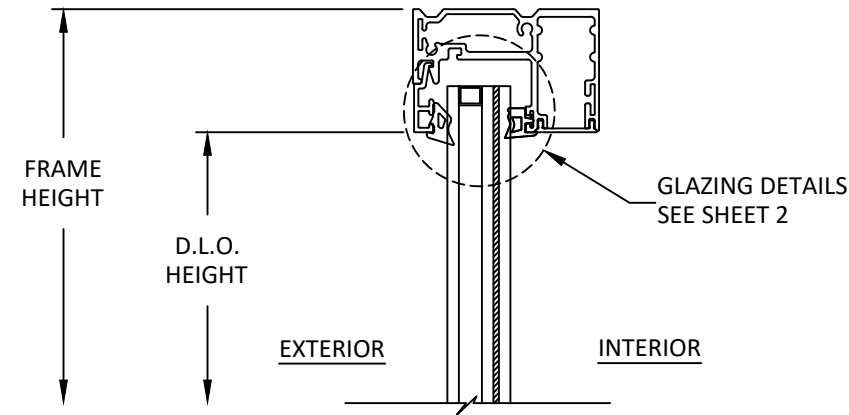
**ANCHOR LAYOUT  
THROUGH FRAME INSTALLATION**



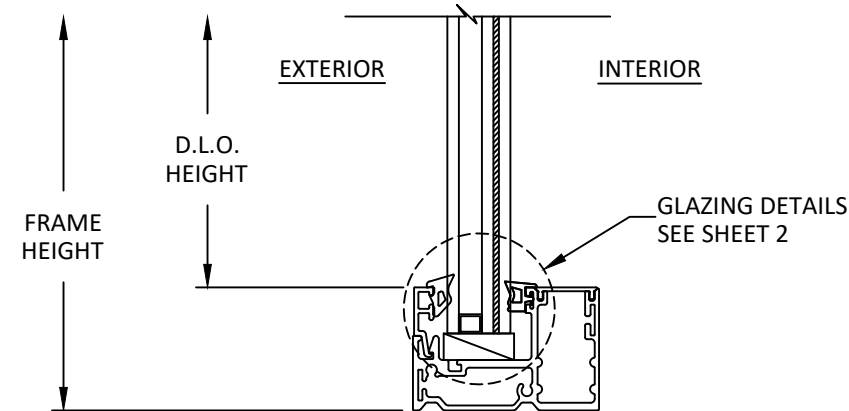
**ANCHOR LAYOUT  
THROUGH FRAME INSTALLATION**

TITLE: VISTA DIRECT SET (HVHZ) (IMPACT)  
VERTICAL SECTIONS

PREPARED BY:  
**B.D.** BUILDING DROPS  
BUILDING DROPS, INC.  
1900 NE MIAMI COURT, SUITE 2-15  
MIAMI, FL 33132  
PH: (954) 399-8478  
FAX: (954) 744-4738  
WEB: www.buildingdrops.com



**A**  
**6** VERTICAL SECTION  
HEAD



**B**  
**6** VERTICAL SECTION  
SILL

REMARKS	BY	DATE

THE INSTALLATION DETAILS DESCRIBED HEREIN ARE GENERIC AND MAY NOT REFLECT ACTUAL CONDITIONS FOR A SPECIFIC SITE. IF SITE CONDITIONS CAUSE INSTALLATION TO DEVIATE FROM THE REQUIREMENTS DETAILED HEREIN, A LICENSED ENGINEER OR ARCHITECT SHALL PREPARE SITE SPECIFIC DOCUMENTS FOR USE WITH THIS DOCUMENT.



FL #: **FL46965**

DATE: **08.08.2024**

DWG. BY: <b>SH</b>	CHK. BY: <b>HFN</b>
-----------------------	------------------------

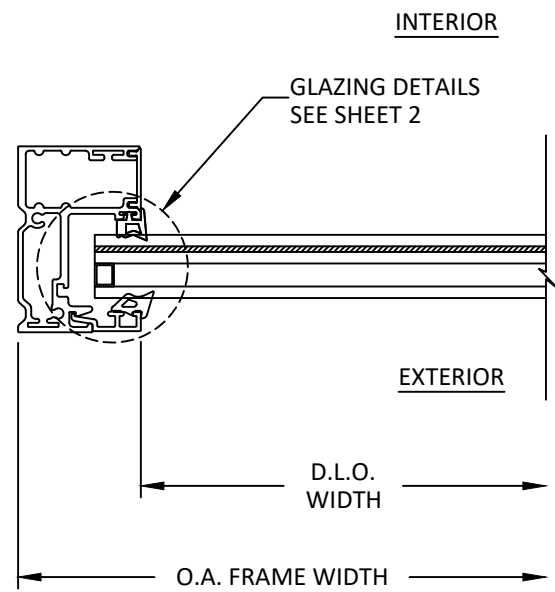
SCALE: **NTS**

DWG. #: **EWS042**

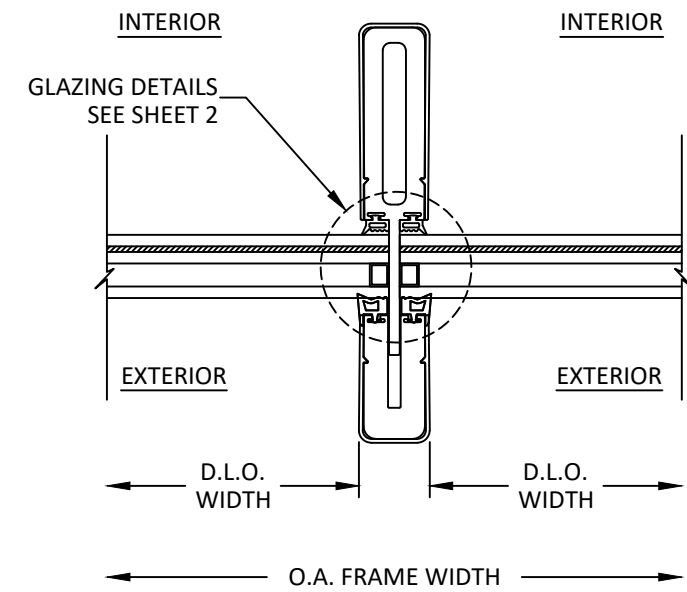
SHEET:  
**6**  
OF 8

c:\users\sebastianherrerros\building drops, inc\building drops, inc\projects\euro-wall, llc\fb\24-0141 - fbc submittal - v2 storefront re-design\dwgs\views042.dwg 8/21/2024 3:07 PM

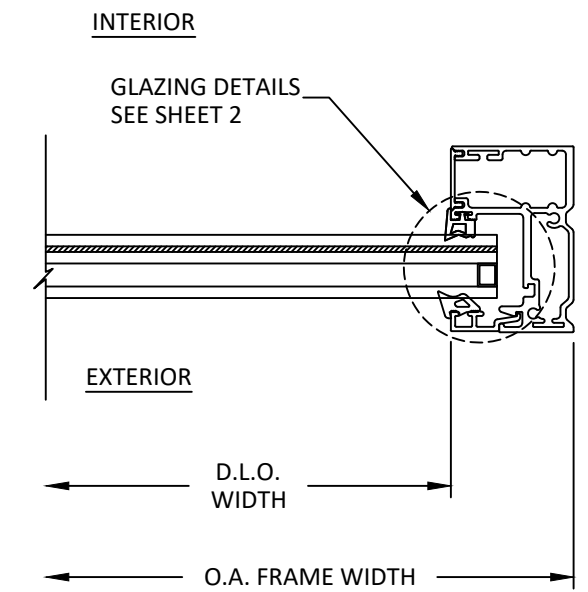
c:\users\sebastianhereros\building drops, inc\building drops, landing - common\projects\euro-wall, llc\fb-24-0141 - fbc submittal - v2 storefront re-design\dwgs\ews042.dwg 8/21/2024 3:07 PM



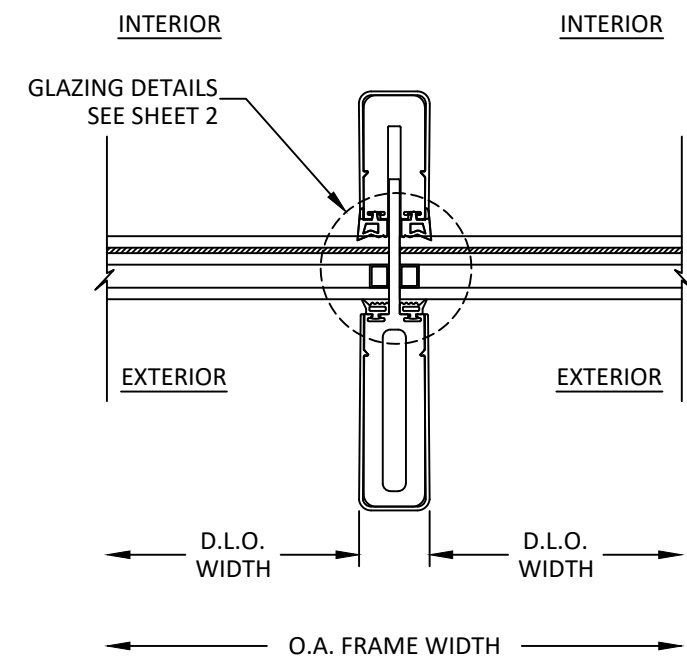
**C**  
**7** **HORIZONTAL SECTION**  
JAMB



**D**  
**7** **HORIZONTAL SECTION**  
MULLION  
TYP. ORIENTATION



**E**  
**7** **HORIZONTAL SECTION**  
JAMB



**F**  
**7** **HORIZONTAL SECTION**  
MULLION  
ALTERNATE ORIENTATION

TITLE: **VISTA DIRECT SET (HVHZ) (IMPACT)**

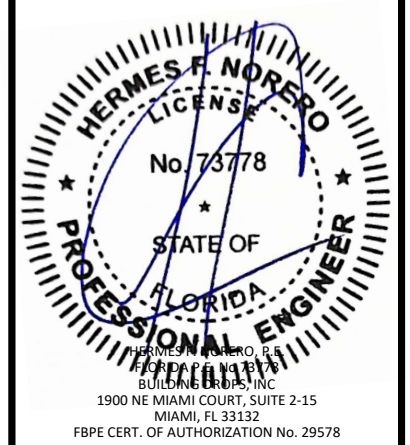
HORIZONTAL SECTIONS

PREPARED BY:  
**BUILDING DROPS, INC.**  
1900 NE MIAMI COURT, SUITE 2-15  
MIAMI, FL 33132  
PH: (954) 399-8478  
FAX: (954) 744-4738  
WEB: www.buildingdrops.com



REMARKS	BY	DATE

THE INSTALLATION DETAILS DESCRIBED HEREIN ARE GENERIC AND MAY NOT REFLECT ACTUAL CONDITIONS FOR A SPECIFIC SITE. IF SITE CONDITIONS CAUSE INSTALLATION TO DEVIATE FROM THE REQUIREMENTS DETAILED HEREIN, A LICENSED ENGINEER OR ARCHITECT SHALL PREPARE SITE SPECIFIC DOCUMENTS FOR USE WITH THIS DOCUMENT.



HERMES F. NORERO, P.E.  
1900 NE MIAMI COURT, SUITE 2-15  
MIAMI, FL 33132  
FBPE CERT. OF AUTHORIZATION No. 29578

FL #: **FL46965**

DATE: **08.08.2024**

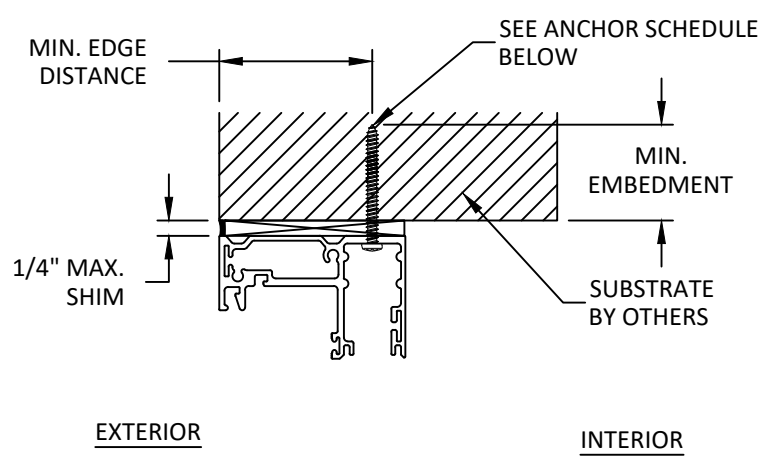
DWG. BY: **SH**      CHK. BY: **HFN**

SCALE: **NTS**

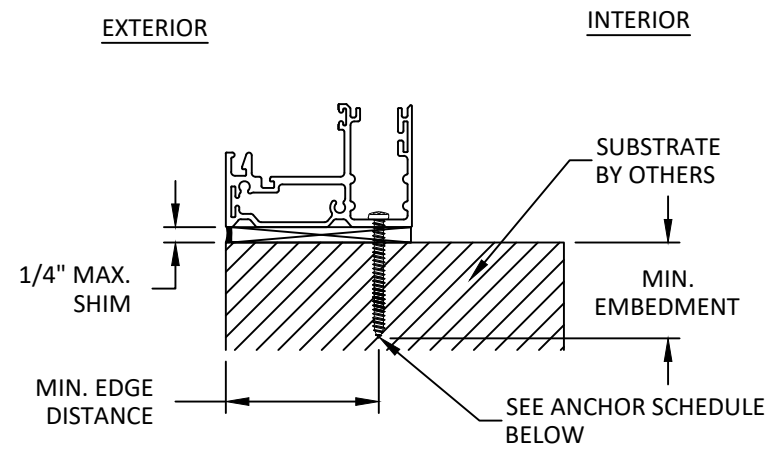
DWG. #: **EWS042**

SHEET:  
**7**  
OF 8

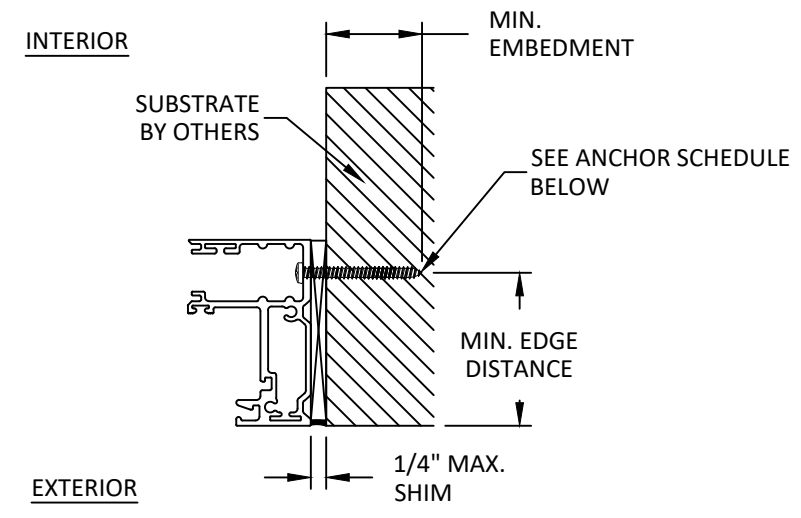
c:\users\sebastianhereros\building drops, inc\building drops, inc\projects\euro-wall, llc\fb-24-0141 - fbc submittal - v2 storefront re-design\dwg\ews042.dwg 8/21/2024 3:07 PM



**A**  
**8**  
**ANCHOR DETAIL**  
HEAD



**B**  
**8**  
**ANCHOR DETAIL**  
SILL



**C**  
**8**  
**ANCHOR DETAIL**  
JAMB

ANCHOR SCHEDULE			
SUBSTRATE	ANCHOR TYPE	MIN. EMBEDMENT	MIN. EDGE DISTANCE
WOOD: MIN. SG = 0.55	5/16" DEWALT ULTRACON	1-1/2"	1-9/16"
METAL: STEEL 18 GAUGE, MIN. Fy = 33KSI	5/16" SELF-DRILLING OR SELF-TAPPING SCREW	3 THREADS MIN PENETRATION BEYOND METAL	1/2"
METAL: ALUMINUM (6063-T5) MIN 1/8" THICKNESS	5/16" SELF-DRILLING OR SELF-TAPPING SCREW	3 THREADS MIN PENETRATION BEYOND METAL	1/2"
CONCRETE: f'c=3000PSI	5/16" DEWALT ULTRACON	1-3/4"	2-1/2"
MASONRY: GROUT FILLED CMU PER ASTM C90	5/16" DEWALT ULTRACON	1-3/4"	2-1/2"

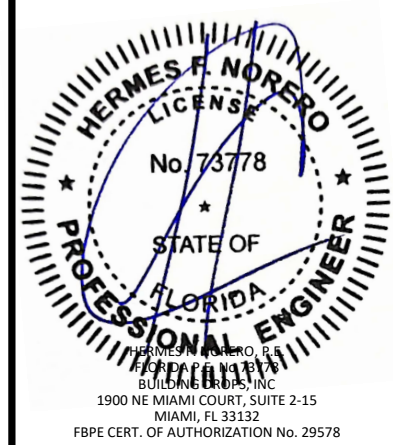
TITLE: VISTA DIRECT SET (HVHZ) (IMPACT)  
INSTALLATION DETAILS & ANCHOR SCHEDULE

PREPARED BY:  
**BUILDING DROPS, INC.**  
1900 NE MIAMI COURT, SUITE 2-15  
MIAMI, FL 33132  
PH: (954) 399-8478  
FAX: (954) 744-4738  
WEB: www.buildingdrops.com



REMARKS	BY	DATE

THE INSTALLATION DETAILS DESCRIBED HEREIN ARE GENERIC AND MAY NOT REFLECT ACTUAL CONDITIONS FOR A SPECIFIC SITE. IF SITE CONDITIONS CAUSE INSTALLATION TO DEVIATE FROM THE REQUIREMENTS DETAILED HEREIN, A LICENSED ENGINEER OR ARCHITECT SHALL PREPARE SITE SPECIFIC DOCUMENTS FOR USE WITH THIS DOCUMENT.



FL #: **FL46965**

DATE: **08.08.2024**

DWG. BY: **SH**      CHK. BY: **HFN**

SCALE: **NTS**

DWG. #: **EWS042**

SHEET:  
**8**  
OF 8