

12/20/2023 1:25 PM z:\projects\euro-wall systems\lbc-23-1140 - fbc submittal - fl17838 c3 folding door.dwg

EURO-WALL, LLC

EURO-C3 BIFOLD ALUMINUM DOOR SYSTEM (WZ3) (IMPACT)



EURO-WALL, LLC
P.O. BOX 8007
NORTH PORT, FL 34290
PH: (888) 989-3876

GENERAL NOTES:

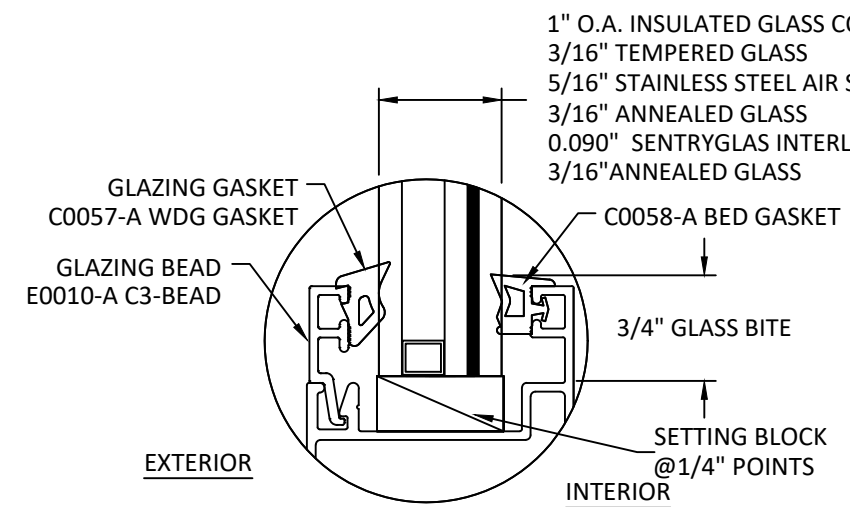
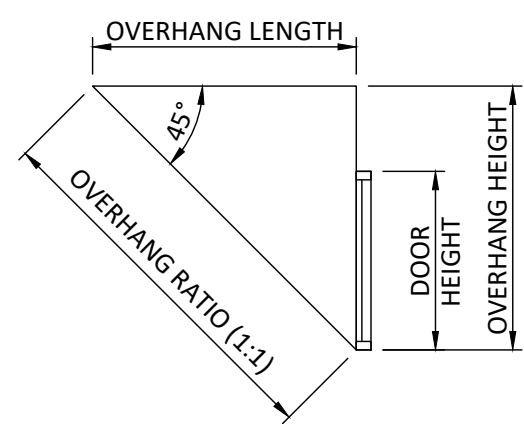
- THE PRODUCT SHOWN HEREIN IS DESIGNED AND MANUFACTURED TO COMPLY WITH THE CURRENT FLORIDA BUILDING CODE (FBC), **EXCLUDING** HVHZ AND HAS BEEN EVALUATED ACCORDING TO THE FOLLOWING:
 - ASTM C864-05
 - ASTM E1886-13a
 - ASTM E1996-17
 - TAS 201-94
 - TAS 202-94
 - TAS 203-94
- ADEQUACY OF THE EXISTING STRUCTURAL CONCRETE/MASONRY, 2X AND METAL STUD FRAMING AS A MAIN WIND FORCE RESISTING SYSTEM CAPABLE OF WITHSTANDING AND TRANSFERRING APPLIED PRODUCT LOADS TO THE FOUNDATION IS THE RESPONSIBILITY OF THE ENGINEER OR ARCHITECT OF RECORD FOR THE PROJECT OF INSTALLATION.
- 1X AND 2X BUCKS (WHEN USED) SHALL BE DESIGNED AND ANCHORED TO PROPERLY TRANSFER ALL LOADS TO THE STRUCTURE. BUCK DESIGN AND INSTALLATION IS THE RESPONSIBILITY OF THE ENGINEER OR ARCHITECT OF RECORD FOR THE PROJECT OF INSTALLATION.
- THE INSTALLATION DETAILS DESCRIBED HEREIN ARE GENERIC AND MAY NOT REFLECT ACTUAL CONDITIONS FOR A SPECIFIC SITE. IF SITE CONDITIONS CAUSE INSTALLATION TO DEVIATE FROM THE REQUIREMENTS DETAILED HEREIN, A LICENSED ENGINEER OR ARCHITECT SHALL PREPARE SITE SPECIFIC DOCUMENTS FOR USE WITH THIS DOCUMENT.
- APPROVED IMPACT PROTECTIVE SYSTEM **IS NOT REQUIRED** TO PROTECT THIS PRODUCT IN AREAS REQUIRING IMPACT RESISTANCE IN WIND ZONE 3 OR LESS.
- APPROVED IMPACT PROTECTIVE SYSTEM **IS REQUIRED** TO PROTECT THIS PRODUCT IN AREAS REQUIRING IMPACT RESISTANCE IN WIND ZONE 4.
- FRAME MATERIAL: ALUMINUM 6063-T5.
- GLASS MEETS THE REQUIREMENTS OF ASTM E1300. SEE GLAZING DETAILS ON SHEETS 1 & 2.

TABLE OF CONTENTS	
SHEET	SHEET DESCRIPTION
1	GENERAL NOTES AND GLAZING DETAILS
2	GLAZING DETAILS
3	GLASS DESIGN PRESSURE TABLES
4	STANDARD HARDWARE ELEVATION UNIT 1
5	PANIC HARDWARE ELEVATION UNIT 1 & DESIGN PRESSURE TABLE
6	STANDARD HARDWARE ELEVATION UNIT 2
7	PANIC HARDWARE ELEVATION UNIT 2 & DESIGN PRESSURE TABLE
8	ANCHOR LAYOUT
9	VERTICAL SECTIONS
10	VERTICAL SECTIONS
11	HORIZONTAL SECTIONS
12	HORIZONTAL SECTIONS
13	HORIZONTAL SECTIONS
14	ANCHOR DETAILS

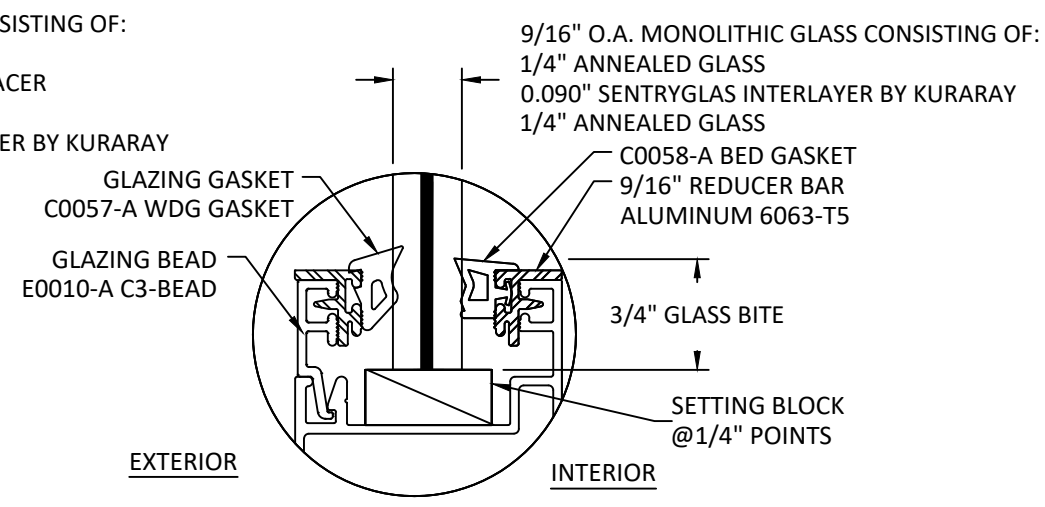
- GLAZING NOTES:**
- GLASS TYPE COMPLIES WITH ASTM E1300 REQUIREMENTS.
 - SETTING BLOCKS TO BE LOCATED AT 1/4 SPAN LENGTH FOR GLASS WIDER THAN 36" AS PER FBC CHAPTER 24.
 - SETTING BLOCK DUROMETER HARDNESS OF 70-90 (SHORE A) AS REFERENCED IN FBC CHAPTER 24.
 - GLASS TYPE SHALL COMPLY WITH APPLICABLE GLAZING REQUIREMENTS PER CHAPTER 24 OF THE FBC

FRAME SIZE	DESIGN PRESSURE	MISSILE IMPACT RATING	WATER TEST PRESSURE
SEE SHEETS 4 - 7	SEE SHEET 3	LARGE & SMALL MISSILE IMPACT	SEE SHEETS 4 - 7

NOTE: WHEN INSTALLED AT A LOCATION PROTECTED BY AN OVERHANG SUCH THAT:
 $OVERHANG (OH) RATIO = OH LENGTH \div OH HEIGHT \geq 1.0$,
 WATER INFILTRATION REQUIREMENT DOES NOT NEED TO BE MET



GLAZING DETAIL 1



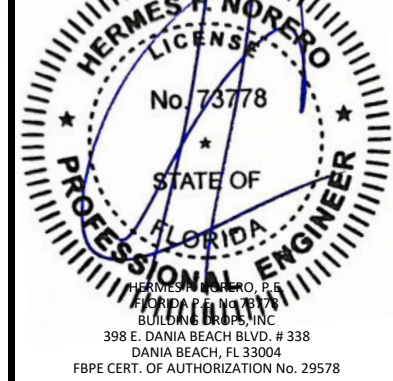
GLAZING DETAIL 2

TITLE: EURO-C3 BIFOLD ALUMINUM DOOR SYSTEM (WZ3) (IMPACT)
 GENERAL NOTES AND GLAZING DETAILS
 PREPARED BY: BUILDING DROPS, INC.
 1900 NE MIAMI CT UNIT 2-15
 MIAMI, FL 33132
 PH: (954) 399-8478
 FAX: (954) 474-4738
 WEB: www.buildingdrops.com

REMARKS	BY	DATE
2023 CODE CHANGE	MG	02/23
MISC. UPDATE	OL	06/23
PANIC DEVICE UPDATE	SH	09/23
JORDAN'S DOOR UPD.	FB	12/23

THE INSTALLATION DETAILS DESCRIBED HEREIN ARE GENERIC AND MAY NOT REFLECT ACTUAL CONDITIONS FOR A SPECIFIC SITE. IF SITE CONDITIONS CAUSE INSTALLATION TO DEVIATE FROM THE REQUIREMENTS DETAILED HEREIN, A LICENSED ENGINEER OR ARCHITECT SHALL PREPARE SITE SPECIFIC DOCUMENTS FOR USE WITH THIS DOCUMENT.

Digitally signed by Hermes F. Norero, P.E.
 Reason: I am approving this document
 Date: 2023.12.11 17:44:40 -0500'



FL #: **FL17838**

DATE: **10.09.20**

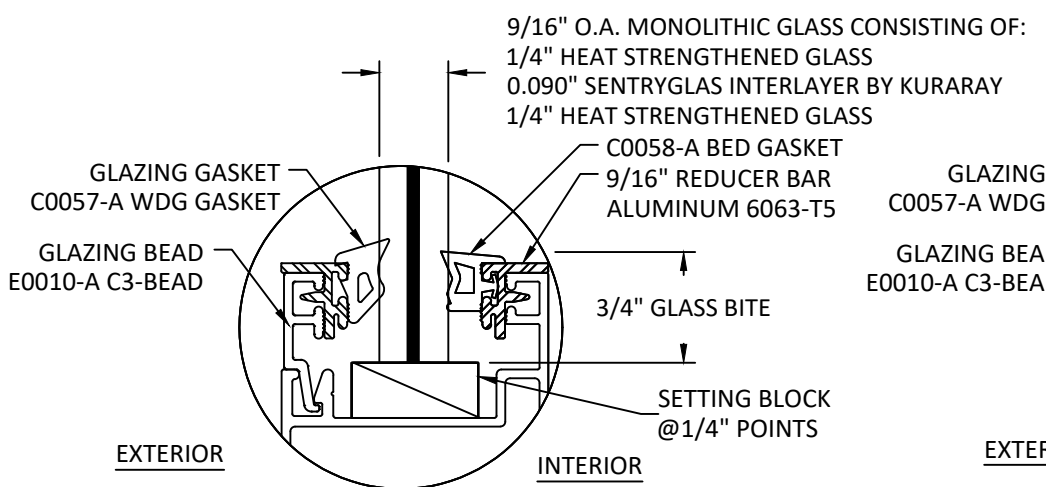
DWG. BY: **LL** | CHK. BY: **SM**

SCALE: **NTS**

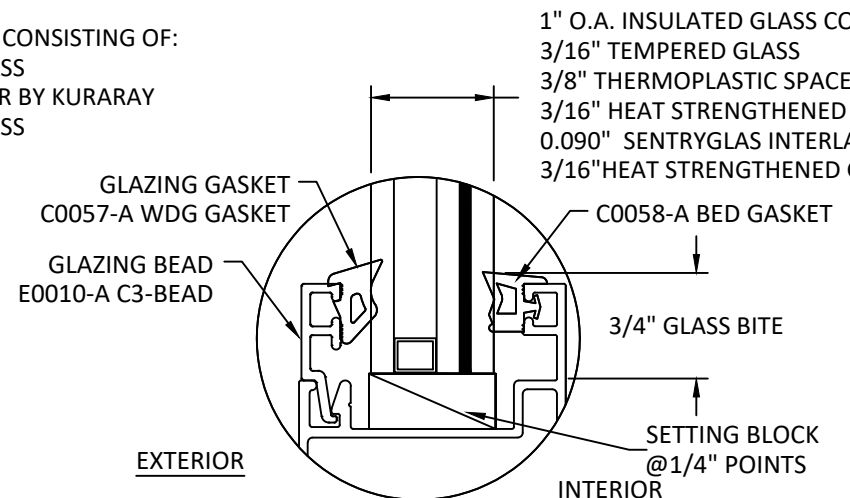
DWG. #: **EWS014**

SHEET **1** OF 14

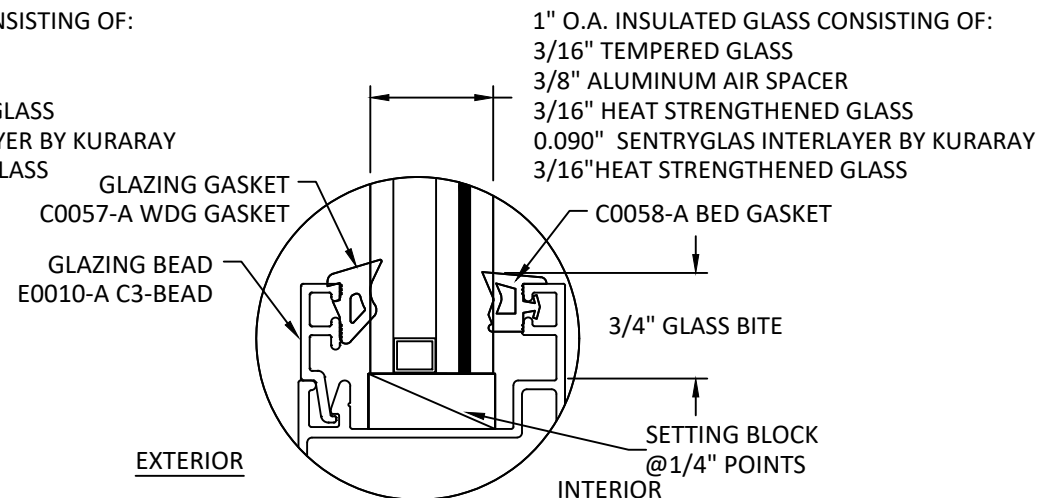
z:\projects\euro-wall systems\fb-c-23-1140 - fbc submittal - fl17838 c3 folding door revision - jordan's new folding door.dwg 12/20/2023 1:25 PM



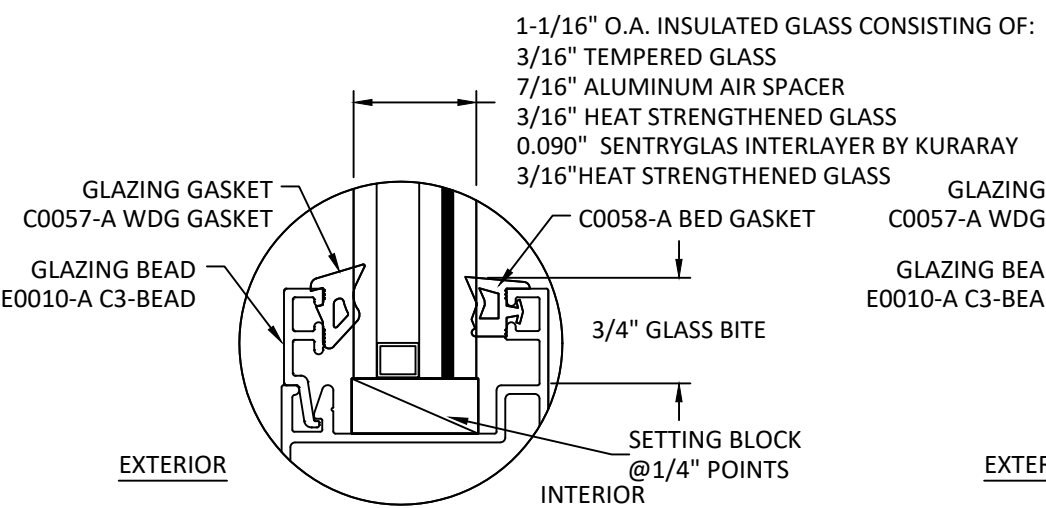
GLAZING DETAIL 3



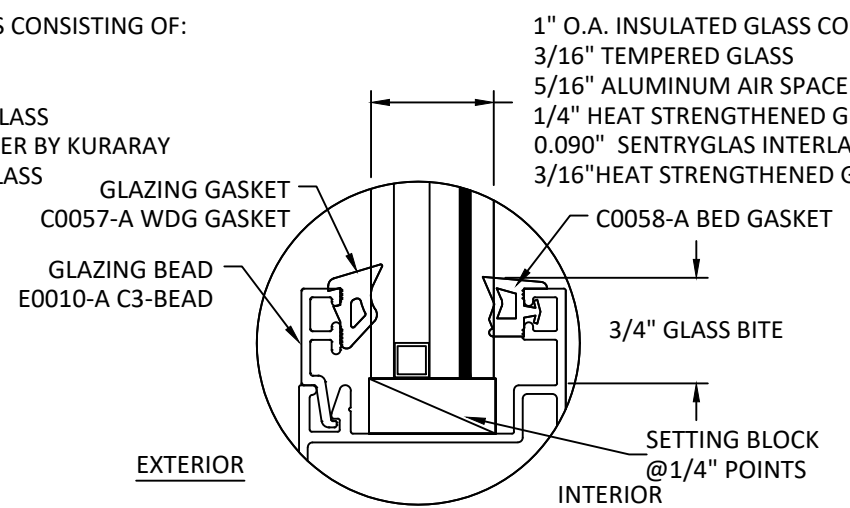
GLAZING DETAIL 4



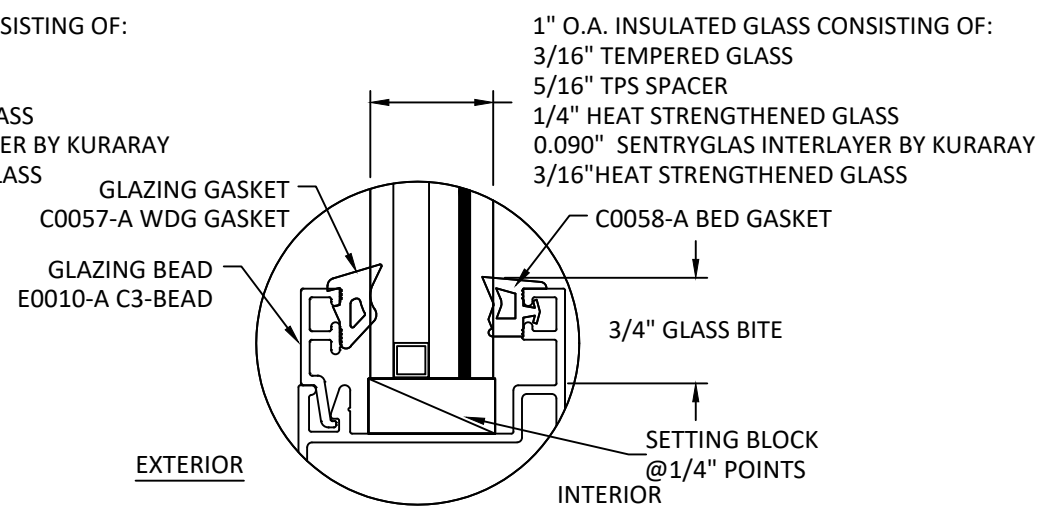
GLAZING DETAIL 5



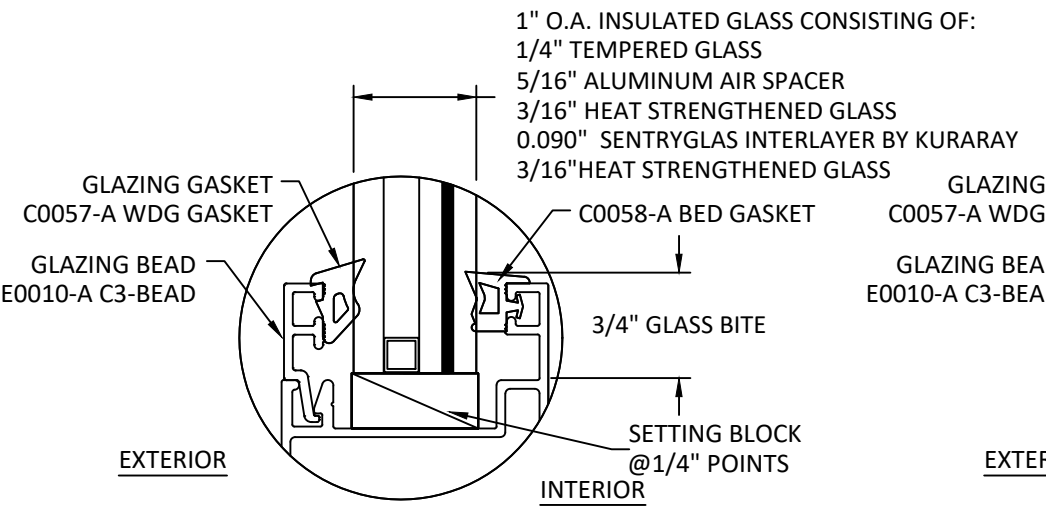
GLAZING DETAIL 6



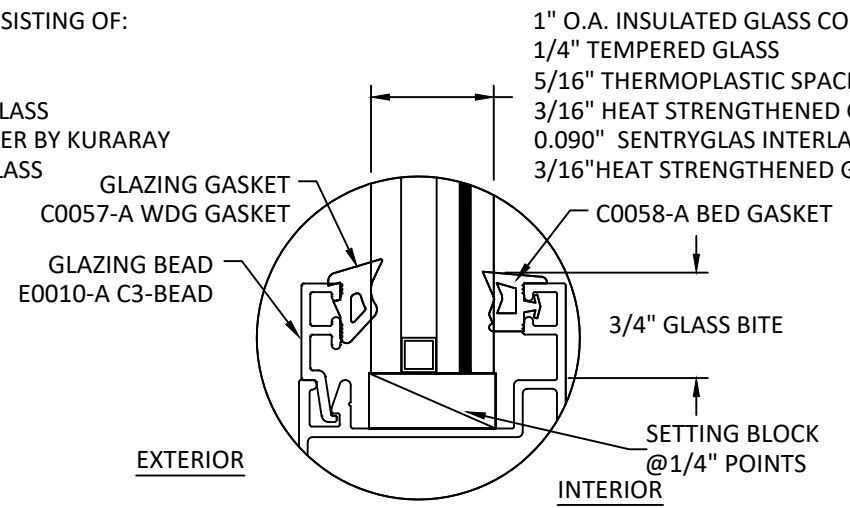
GLAZING DETAIL 7



GLAZING DETAIL 8



GLAZING DETAIL 9



GLAZING DETAIL 10

- GLAZING NOTES:**
- GLASS TYPE COMPLIES WITH ASTM E1300 REQUIREMENTS.
 - SETTING BLOCKS TO BE LOCATED AT 1/4 SPAN LENGTH FOR GLASS WIDER THAN 36" AS PER FBC CHAPTER 24.
 - SETTING BLOCK DUROMETER HARDNESS OF 70-90 (SHORE A) AS REFERENCED IN FBC CHAPTER 24.
 - GLASS TYPE SHALL COMPLY WITH APPLICABLE GLAZING REQUIREMENTS PER CHAPTER 24 OF THE FBC



EURO-WALL, LLC
 P.O. BOX 8007
 NORTH PORT, FL 34290
 PH: (888) 989-3876

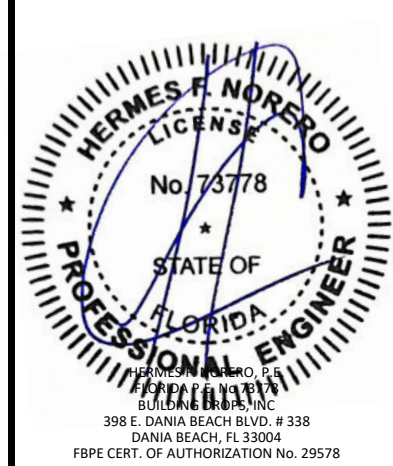
TITLE: EURO-C3 BIFOLD ALUMINUM DOOR SYSTEM (WZ3) (IMPACT) GLAZING DETAILS

PREPARED BY: BUILDING DROPS, INC.
 1900 NE MIAMI CT UNIT 2-15
 MIAMI, FL 33132
 PH: (954) 399-8478
 FAX: (954) 444-4738
 WEB: www.buildingdrops.com



REMARKS	BY	DATE
2023 CODE CHANGE	MG	02/23
MISC. UPDATE	OL	06/23
PANIC DEVICE UPDATE	SH	09/23
JORDAN'S DOOR UPD.	FB	12/23

THE INSTALLATION DETAILS DESCRIBED HEREIN ARE GENERIC AND MAY NOT REFLECT ACTUAL CONDITIONS FOR A SPECIFIC SITE. IF SITE CONDITIONS CAUSE INSTALLATION TO DEVIATE FROM THE REQUIREMENTS DETAILED HEREIN, A LICENSED ENGINEER OR ARCHITECT SHALL PREPARE SITE SPECIFIC DOCUMENTS FOR USE WITH THIS DOCUMENT.



FL #:	FL17838
DATE:	10.09.20
DWG. BY:	LL
CHK. BY:	SM
SCALE:	NTS
DWG. #:	EWS014

SHEET **2** OF 14

GLASS DESIGN PRESSURE TABLES



EURO-WALL, LLC
P.O. BOX 8007
NORTH PORT, FL 34290
PH: (888) 989-3876

G1/G2 DESIGN PRESSURE TABLE (+/- PSF) FOR INSWING DOOR										
PANEL HEIGHT (INCHES)	NOMINAL PANEL WIDTH (INCHES)									
	20.0	24.0	28.0	32.0	36.0	40.0	44.0	48.0	52.0	
96.0	+60.0/-65.0	+60.0/-65.0	+60.0/-65.0	+60.0/-65.0	+60.0/-65.0	+60.0/-65.0	+60.0/-65.0	+60.0/-65.0	+60.0/-65.0	+60.0/-65.0
102.0	+60.0/-65.0	+60.0/-65.0	+60.0/-65.0	+60.0/-65.0	+60.0/-65.0	+60.0/-65.0	+60.0/-65.0	+60.0/-65.0	+60.0/-65.0	-
108.0	+60.0/-65.0	+60.0/-65.0	+60.0/-65.0	+60.0/-65.0	+60.0/-65.0	+60.0/-65.0	+60.0/-65.0	-	-	-
114.0	+60.0/-65.0	+60.0/-65.0	+60.0/-65.0	+60.0/-65.0	+60.0/-65.0	+60.0/-65.0	+60.0/-65.0	-	-	-
120.0	+60.0/-65.0	+60.0/-65.0	+60.0/-65.0	+60.0/-65.0	+60.0/-65.0	+60.0/-65.0	+58.6/-63.5	-	-	-
126.0	+60.0/-65.0	+60.0/-65.0	+60.0/-65.0	+60.0/-65.0	+60.0/-65.0	+55.6/-60.2	+50.4/-54.6	-	-	-
132.0	+60.0/-65.0	+60.0/-65.0	+60.0/-65.0	+60.0/-65.0	+53.9/-58.4	+48.2/-52.2	-	-	-	-
138.0	+60.0/-65.0	+60.0/-65.0	+53.5/-58.0	+47.1/-51.0	+42.1/-45.6	-	-	-	-	-
144.0	+60.0/-65.0	+54.7/-59.2	+47.0/-51.0	+41.4/-44.8	-	-	-	-	-	-
150.0	+57.8/-62.6	+48.3/-52.3	+41.6/-45.0	+36.5/-39.6	-	-	-	-	-	-
156.0	+51.4/-55.6	+42.9/-46.5	+36.9/-40.0	+32.4/-35.1	-	-	-	-	-	-
162.0	+45.8/-49.7	+38.3/-41.5	+32.9/-35.7	-	-	-	-	-	-	-
168.0	+41.1/-44.5	+34.3/-37.2	+29.5/-32.0	-	-	-	-	-	-	-

NOTE : APPLIES TO RADIUSED AND SEGMENTED INSTALLATIONS.

G1/G2 DESIGN PRESSURE TABLE (+/- PSF) FOR OUTSWING DOOR										
PANEL HEIGHT (INCHES)	NOMINAL PANEL WIDTH (INCHES)									
	20.0	24.0	28.0	32.0	36.0	40.0	44.0	48.0	52.0	
96.0	100.0	100.0	100.0	100.0	100.0	75.0	+65.0/-65.0	+65.0/-65.0	+65.0/-65.0	-
102.0	100.0	100.0	100.0	98.7	88.6	75.0	+65.0/-65.0	+65.0/-65.0	-	-
108.0	100.0	100.0	93.8	82.8	75.0	+65.0/-65.0	+65.0/-65.0	-	-	-
114.0	100.0	92.2	79.5	75.0	75.0	+65.0/-65.0	+61.2/-65.0	-	-	-
120.0	94.2	78.9	75.0	75.0	+64.6/-65.0	+58.6/-63.5	-	-	-	-
126.0	81.3	75.0	74.4	65.5	+55.6/-60.2	+50.4/-54.6	-	-	-	-
132.0	75.0	75.0	64.6	+53.9/-58.4	+48.2/-52.2	-	-	-	-	-
138.0	75.0	65.6	56.5	+47.1/-51.0	+42.1/-45.6	-	-	-	-	-
144.0	69.0	57.7	49.6	+41.4/-44.8	-	-	-	-	-	-
150.0	61.0	51.0	43.8	+36.5/-39.6	-	-	-	-	-	-
156.0	54.2	45.3	+36.9/-40.0	+32.4/-35.1	-	-	-	-	-	-
162.0	48.3	40.4	+32.9/-35.7	-	-	-	-	-	-	-
168.0	43.3	36.2	+29.5/-32.0	-	-	-	-	-	-	-

NOTE : APPLIES TO RADIUSED AND SEGMENTED INSTALLATIONS.

G3/G4/G5/G6/G7/G8/G9/G10 DESIGN PRESSURE TABLE (+/- PSF) FOR INSWING OR OUTSWING DOOR										
PANEL HEIGHT (INCHES)	NOMINAL PANEL WIDTH (INCHES)									
	20.0	24.0	28.0	32.0	36.0	40.0	44.0	48.0	52.0	
96.0	65.0	65.0	65.0	65.0	65.0	65.0	65.0	65.0	65.0	65.0
102.0	65.0	65.0	65.0	65.0	65.0	65.0	65.0	65.0	65.0	-
108.0	65.0	65.0	65.0	65.0	65.0	65.0	65.0	65.0	65.0	-
114.0	65.0	65.0	65.0	65.0	65.0	65.0	65.0	65.0	-	-
120.0	65.0	65.0	65.0	65.0	65.0	65.0	-	-	-	-
126.0	65.0	65.0	65.0	65.0	65.0	65.0	-	-	-	-
132.0	65.0	65.0	65.0	65.0	65.0	-	-	-	-	-
138.0	65.0	65.0	65.0	65.0	65.0	-	-	-	-	-
144.0	65.0	65.0	65.0	65.0	65.0	-	-	-	-	-
150.0	65.0	65.0	65.0	64.3	-	-	-	-	-	-
156.0	65.0	65.0	64.9	57.0	-	-	-	-	-	-
162.0	65.0	65.0	57.9	50.9	-	-	-	-	-	-
168.0	65.0	60.4	51.9	-	-	-	-	-	-	-

NOTE : APPLIES TO RADIUSED AND SEGMENTED INSTALLATIONS.

TITLE: EURO-C3 BIFOLD ALUMINUM DOOR SYSTEM (WZ3) (IMPACT)

GLASS DESIGN PRESSURE TABLES

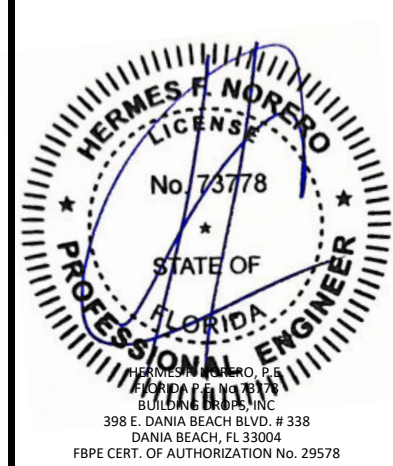
PREPARED BY: BUILDING DROPS, INC.

1900 NE MIAMI CT UNIT 2-15
MIAMI, FL 33132
PH: (954) 399-8478
FAX: (954) 444-4738
WEB: www.buildingdrops.com



REMARKS	BY	DATE
2023 CODE CHANGE	MG	02/23
MISC. UPDATE	OL	06/23
PANIC DEVICE UPDATE	SH	09/23
JORDAN'S DOOR UPD.	FB	12/23

THE INSTALLATION DETAILS DESCRIBED HEREIN ARE GENERIC AND MAY NOT REFLECT ACTUAL CONDITIONS FOR A SPECIFIC SITE. IF SITE CONDITIONS CAUSE INSTALLATION TO DEVIATE FROM THE REQUIREMENTS DETAILED HEREIN, A LICENSED ENGINEER OR ARCHITECT SHALL PREPARE SITE SPECIFIC DOCUMENTS FOR USE WITH THIS DOCUMENT.



FL #:

FL17838

DATE: 10.09.20

DWG. BY: LL CHK. BY: SM

SCALE: NTS

DWG. #: EWS014

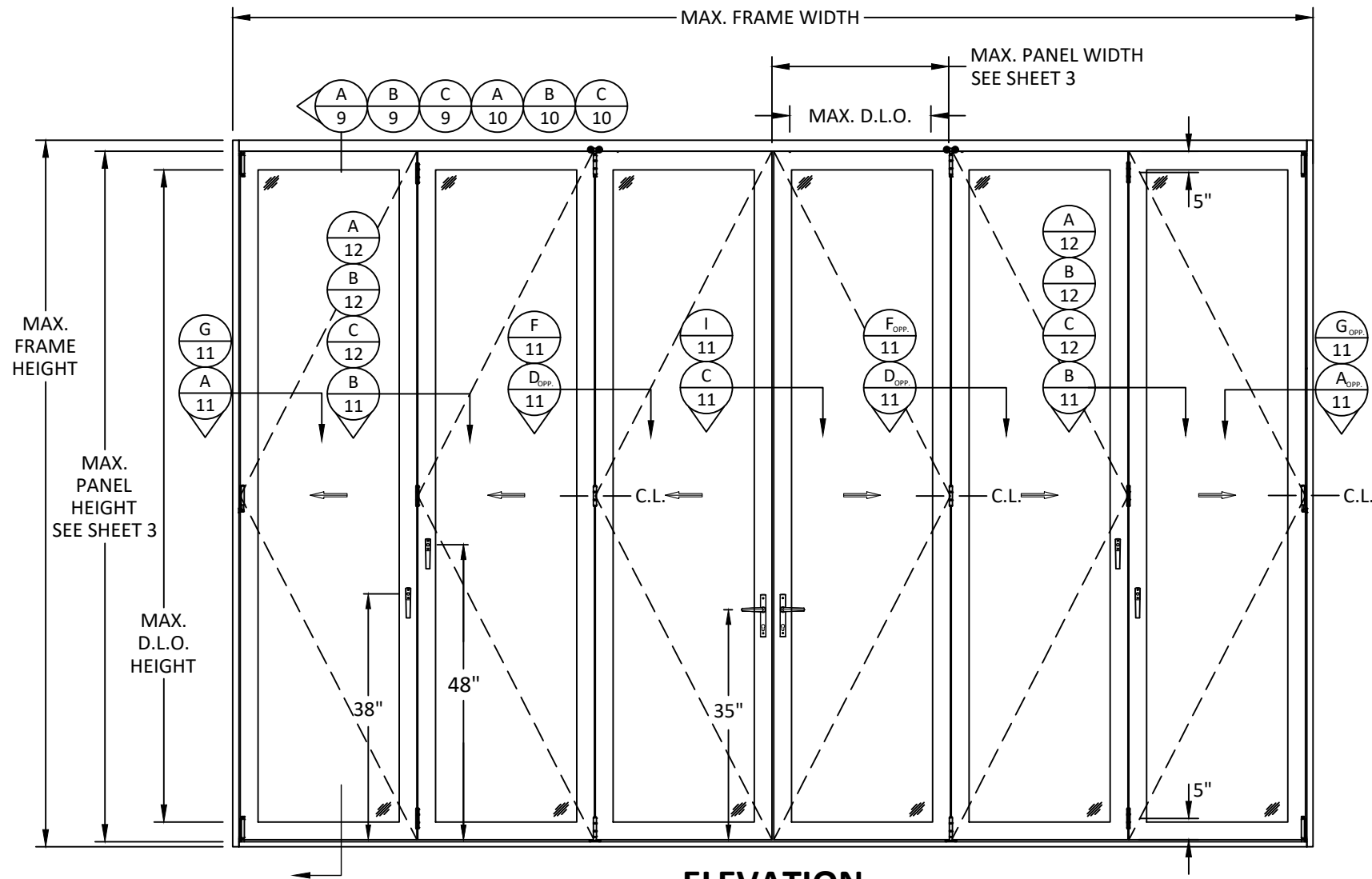
SHEET

3

OF 14

z:\projects\euro-wall systems\fbc-23-1140 - fbc submittal - fl17838 c3 folding door revision - jordan's new folding door.dwg\fbc23.dwg

12/20/2023 1:25 PM
z:\projects\eurowall systems\lbc-23-1140 - lbc submittal - fl17838 c3 folding door revision - jordan's new folding door.dwg\lbc23.dwg



NOTE :
THE WALL CENTER PIVOT AND CENTER HINGE IS NOT REQUIRED WHEN THE DOOR HEIGHT IS LESS THAN 72\".

NOTE :
DOORS WITH STANDARD LOCKING HARDWARE MAY BE USED AT ANY PANEL SIZE GIVEN IN SHEET 3 GLASS DESIGN PRESSURE TABLES.

D.L.O. HEIGHT = PANEL HEIGHT - 7.0375"
D.L.O. WIDTH = PANEL WIDTH - 7.3125"

eurowall
SUPERIOR BY DESIGN

EURO-WALL, LLC
P.O. BOX 8007
NORTH PORT, FL 34290
PH: (888) 989-3876

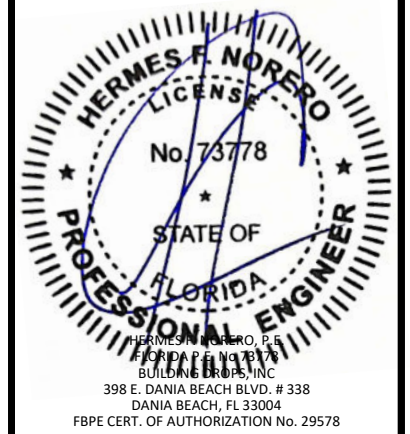
TITLE: **EURO-C3 BIFOLD ALUMINUM DOOR SYSTEM (WZ3) (IMPACT)**
STANDARD HARDWARE ELEVATION UNIT 1

PREPARED BY: **BUILDING DROPS, INC.**
1900 NE MIAMI CT UNIT 2-15
MIAMI, FL 33132
PH: (954) 399-8478
FAX: (954) 744-4738
WEB: www.buildingdrops.com



REMARKS	BY	DATE
2023 CODE CHANGE	MG	02/23
MISC. UPDATE	OL	06/23
PANIC DEVICE UPDATE	SH	09/23
JORDAN'S DOOR UPD.	FB	12/23

THE INSTALLATION DETAILS DESCRIBED HEREIN ARE GENERIC AND MAY NOT REFLECT ACTUAL CONDITIONS FOR A SPECIFIC SITE. IF SITE CONDITIONS CAUSE INSTALLATION TO DEVIATE FROM THE REQUIREMENTS DETAILED HEREIN, A LICENSED ENGINEER OR ARCHITECT SHALL PREPARE SITE SPECIFIC DOCUMENTS FOR USE WITH THIS DOCUMENT.



FL #: **FL17838**
DATE: **10.09.20**
DWG. BY: **LL** CHK. BY: **SM**
SCALE: **NTS**
DWG. #: **EWS014**

SHEET **4** OF 14

NOTE:
PANELS SHOWN ARE BASED ON TESTING, OTHER APPROVED CONFIGURATIONS ARE AS FOLLOWS:
1 PANEL - 1L, 1R
2 PANEL - 2L, 2R, 1L 1R
3 PANEL - 3L, 3R, 2L 1R, 1L 2R
4 PANEL - 4L, 4R, 3L 1R, 1L 3R, 2L 2R
5 PANEL - 5L, 5R, 4L 1R, 1L 4R, 3L 2R, 2L 3R
6 PANEL - 6L, 6R, 5L 1R, 1L 5R, 4L 2R, 2L 4R, 3L 3R
7 PANEL - 7L, 7R, 6L 1R, 1L 6R, 5L 2R, 2L 5R, 4L 3R, 3L 4R
8 PANEL - 8L, 8R, 7L 1R, 1L 7R, 6L 2R, 2L 6R, 5L 3R, 3L 5R, 4L 4R
9 PANEL - 9L, 9R, 8L 1R, 1L 8R, 7L 2R, 2L 7R, 6L 3R, 3L 6R, 5L 4R, 4L 5R

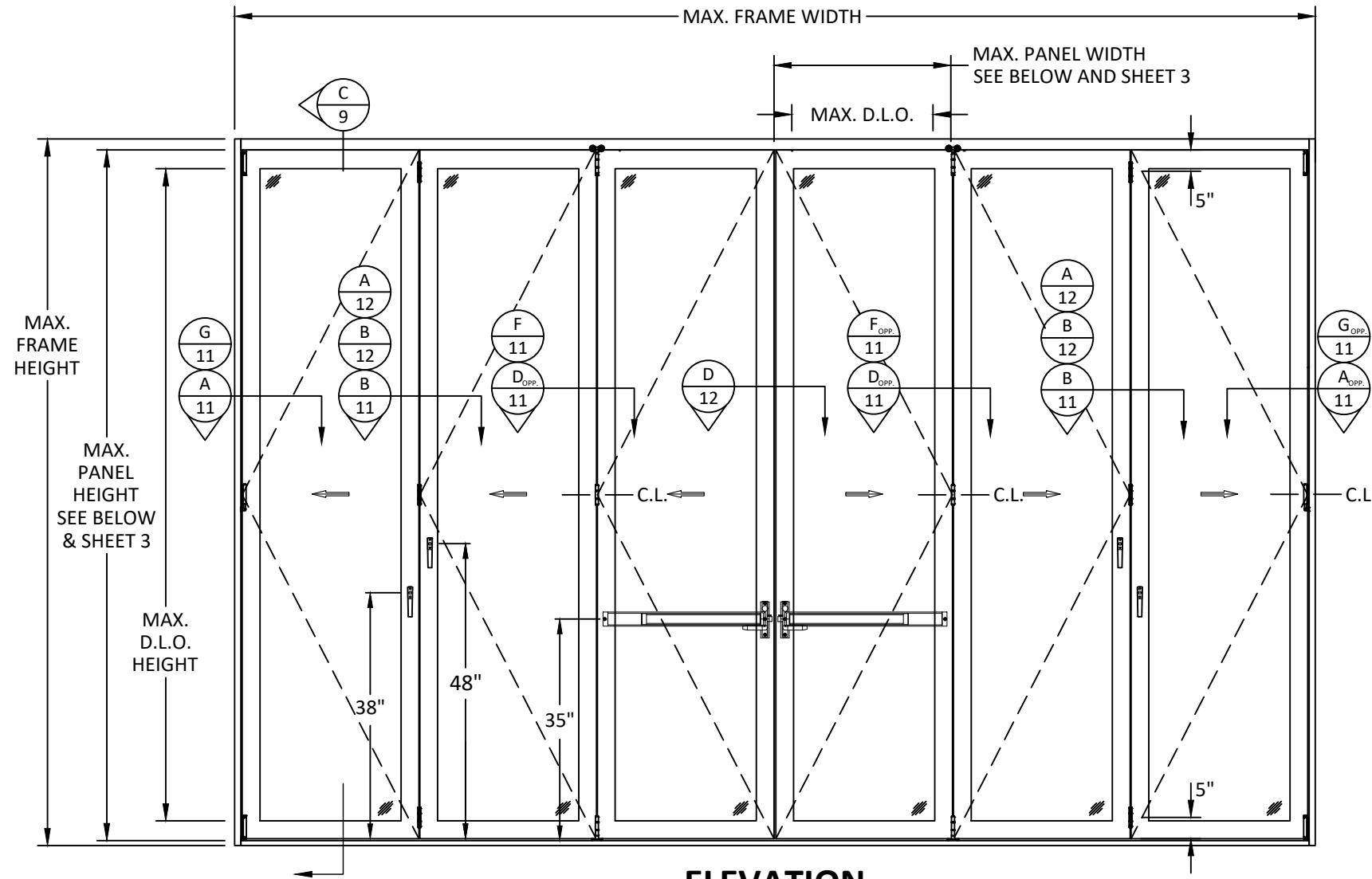
FOR DOOR WITH GLASS TYPE 1 & 2, OVERALL FRAME AREA SHALL NOT EXCEED 415 FT² (1.5 X TESTED FRAME AREA).
FOR DOOR WITH GLASS TYPE 3, 4, 5, 6, 7, 8, 9, & 10, OVERALL FRAME AREA SHALL NOT EXCEED 334 FT² (1.5 X TESTED FRAME AREA).

OUTSWING DOOR WATER TEST PRESSURE		
PANEL SIZE	GLASS TYPE	PRESSURE (PSF)
X ≤ 36" X 96"	G1/G2	15.0
36" X 96" < X ≤ 36" X 114"		11.25
X > 36" X 114"		9.75

INSWING DOOR WATER TEST PRESSURE		
PANEL SIZE	GLASS TYPE	PRESSURE (PSF)
X ≤ 44" X 114"	G1/G2	9.0

INSWING OR OUTSWING DOOR WATER TEST PRESSURE		
PANEL SIZE	GLASS TYPE	PRESSURE (PSF)
X ≤ 36" X 144"	G3 - G10	9.75

TITLE: EURO-C3 BIFOLD ALUMINUM DOOR SYSTEM (WZ3) (IMPACT)
PANIC HARDWARE ELEVATION UNIT 1 & DESIGN PRESSURE TABLE
PREPARED BY: BUILDING DROPS, INC.
1900 NE MIAMI CT UNIT 2-15 MIAMI, FL 33132
PH: (954) 399-8478
FAX: (954) 744-4738
WEB: www.buildingdrops.com



ELEVATION
OUTSWING UNIT WITH PANIC EXIT DEVICE LOCKING HARDWARE

NOTE :
THE WALL CENTER PIVOT AND CENTER HINGE IS NOT REQUIRED WHEN THE DOOR HEIGHT IS LESS THAN 72\".

NOTE :
PANIC EXIT DEVICE ONLY QUALIFIED FOR USE IN THE OUTSWING CONFIGURATION WITH ADA SILL.

NOTE :
DOORS WITH PANIC EXIT DEVICE LOCKING HARDWARE SHALL BE LIMITED TO THE DIMENSIONS SHOWN IN THE TABLE BELOW AND THE SIZES GIVEN ON SHEET 3 GLASS DESIGN PRESSURE TABLES. THE LOWER OF THE TWO DESIGN PRESSURE VALUES SHALL GOVERN. DOORS WITH PANIC DEVICE ARE NOT RATED FOR WATER INFILTRATION.

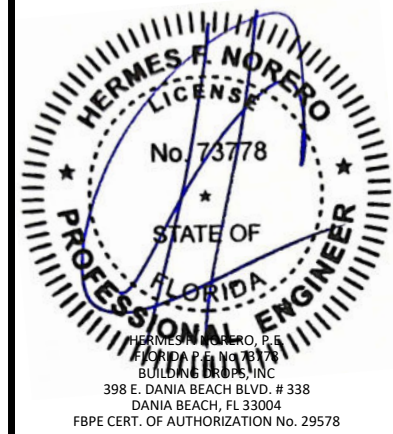
D.L.O. HEIGHT = PANEL HEIGHT - 7.0375"

D.L.O. WIDTH = PANEL WIDTH - 7.3125"

NOTE:
PANELS SHOWN ARE BASED ON TESTING, OTHER APPROVED CONFIGURATIONS ARE AS FOLLOWS:
1 PANEL - 1L, 1R
2 PANEL - 2L, 2R, 1L 1R
3 PANEL - 3L, 3R, 2L 1R, 1L 2R
4 PANEL - 4L, 4R, 3L 1R, 1L 3R, 2L 2R
5 PANEL - 5L, 5R, 4L 1R, 1L 4R, 3L 2R, 2L 3R
6 PANEL - 6L, 6R, 5L 1R, 1L 5R, 4L 2R, 2L 4R, 3L 3R
7 PANEL - 7L, 7R, 6L 1R, 1L 6R, 5L 2R, 2L 5R, 4L 3R, 3L 4R
8 PANEL - 8L, 8R, 7L 1R, 1L 7R, 6L 2R, 2L 6R, 5L 3R, 3L 5R, 4L 4R
9 PANEL - 9L, 9R, 8L 1R, 1L 8R, 7L 2R, 2L 7R, 6L 3R, 3L 6R, 5L 4R, 4L 5R

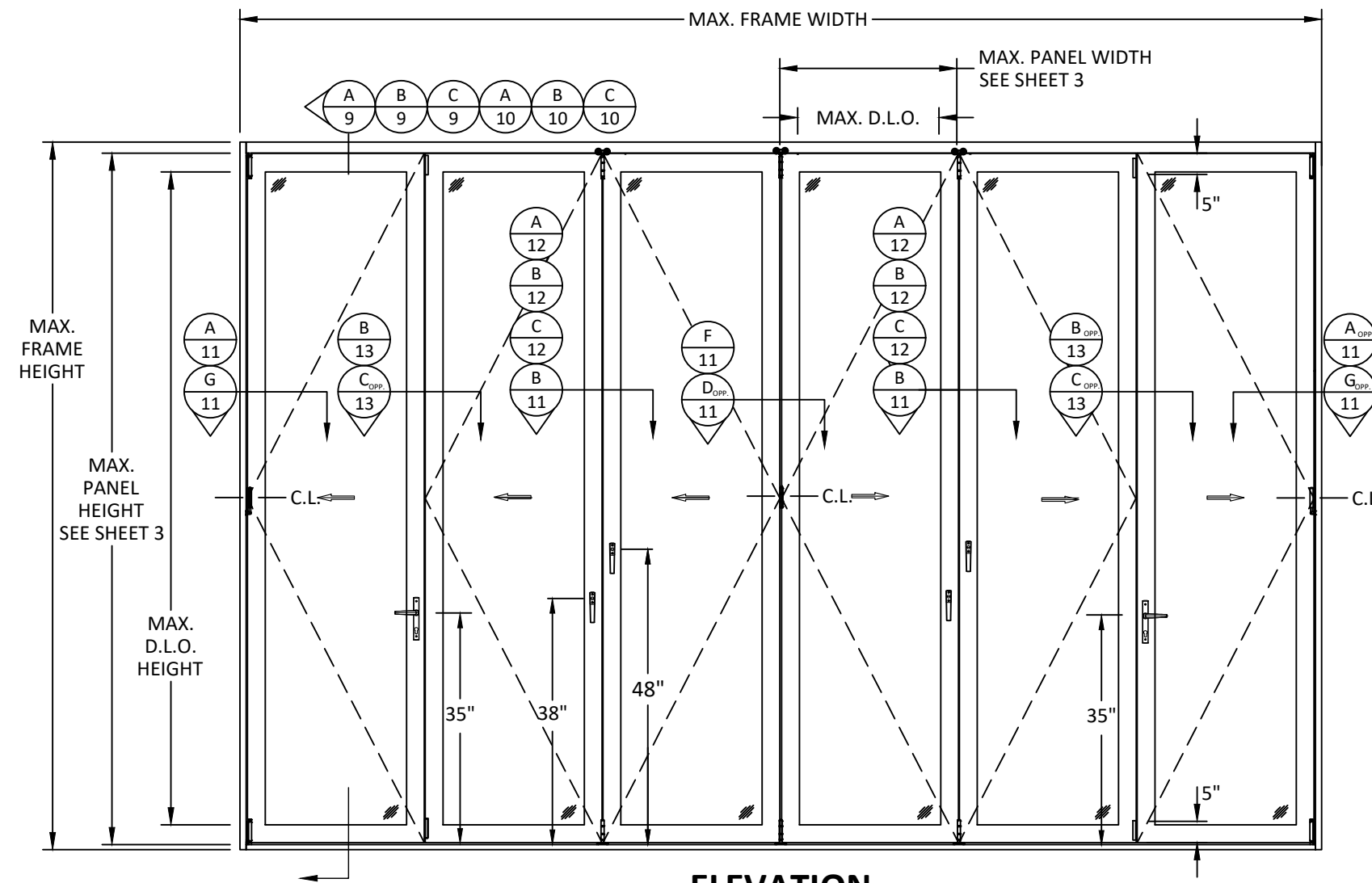
FOR DOOR WITH GLASS TYPE 1 & 2, OVERALL FRAME AREA SHALL NOT EXCEED 415 FT² (1.5 X TESTED FRAME AREA).
FOR DOOR WITH GLASS TYPE 3, 4, 5, 6, 7, 8, 9, & 10, OVERALL FRAME AREA SHALL NOT EXCEED 334 FT² (1.5 X TESTED FRAME AREA).

PANIC EXIT DEVICE LOCKING HARDWARE DESIGN PRESSURE TABLE (+/- PSF)								
		NOMINAL PANEL WIDTH (INCHES)						
		20.0	24.0	28.0	32.0	36.0	40.0	44.0
PANEL HEIGHT (INCHES)	96.0	65.00	65.00	65.00	65.00	65.00	65.0	65.0
	102.0	65.00	65.00	65.00	65.00	65.00	65.0	-
	108.0	65.00	65.00	65.00	65.00	65.00	65.0	-
	114.0	65.00	65.00	65.00	65.00	65.00	-	-
	120.0	65.00	65.00	65.00	65.00	65.00	-	-
	126.0	65.00	65.00	65.00	62.52	-	-	-
	132.0	65.00	65.00	61.65	54.25	-	-	-
	138.0	65.00	62.58	53.87	-	-	-	-
	144.0	65.00	55.02	47.35	-	-	-	-
	150.0	58.18	48.64	41.84	-	-	-	-
156.0	51.7	43.2	-	-	-	-	-	
162.0	46.1	38.6	-	-	-	-	-	
168.0	41.4	34.5	-	-	-	-	-	



FL #: **FL17838**
DATE: **10.09.20**
DWG. BY: **LL** CHK. BY: **SM**
SCALE: **NTS**
DWG. #: **EWS014**
SHEET **5** OF 14

z:\projects\euro-wall systems\lbc-23-1140 - fbc submittal - fl17838 c3 folding door revision - jordan's new folding door.dwg views\014-fbc23.dwg 12/20/2023 1:25 PM



NOTE :
THE WALL CENTER PIVOT AND CENTER HINGE IS NOT REQUIRED WHEN THE DOOR HEIGHT IS LESS THAN 72\".

NOTE :
DOORS WITH STANDARD LOCKING HARDWARE MAY BE USED AT ANY PANEL SIZE GIVEN IN SHEET 3 GLASS DESIGN PRESSURE TABLES.

D.L.O. HEIGHT = PANEL HEIGHT - 7.0375"
D.L.O. WIDTH = PANEL WIDTH - 7.3125"

ELEVATION
INSWING/OUTSWING UNIT WITH STANDARD LOCKING HARDWARE

NOTE:
PANELS SHOWN ARE BASED ON TESTING, OTHER APPROVED CONFIGURATIONS ARE AS FOLLOWS:
3 PANEL - 1L 2LR, 2LR 1R
4 PANEL - 1L 2LR 1R
5 PANEL - 1L 4LR, 4LR 1R
6 PANEL - 1L 4LR 1R
7 PANEL - 1L 6LR, 6LR 1R
8 PANEL - 1L 6LR 1R
9 PANEL - 1L 8LR, 8LR 1R

FOR DOOR WITH GLASS TYPE 1 & 2, OVERALL FRAME AREA SHALL NOT EXCEED 415 FT² (1.5 X TESTED FRAME AREA).
FOR DOOR WITH GLASS TYPE 3, 4, 5, 6, 7, 8, 9, & 10, OVERALL FRAME AREA SHALL NOT EXCEED 334 FT² (1.5 X TESTED FRAME AREA).

OUTSWING DOOR WATER TEST PRESSURE		
PANEL SIZE	GLASS TYPE	PRESSURE (PSF)
X ≤ 36" X 96"	G1/G2	15.0
36" X 96" < X ≤ 36" X 114"		11.25
X > 36" X 114"		9.75

INSWING DOOR WATER TEST PRESSURE		
PANEL SIZE	GLASS TYPE	PRESSURE (PSF)
X ≤ 44" X 114"	G1/G2	9.0

INSWING OR OUTSWING DOOR WATER TEST PRESSURE		
PANEL SIZE	GLASS TYPE	PRESSURE (PSF)
X ≤ 36" X 144"	G3 - G10	9.75



EURO-WALL, LLC
P.O. BOX 8007
NORTH PORT, FL 34290
PH: (888) 989-3876

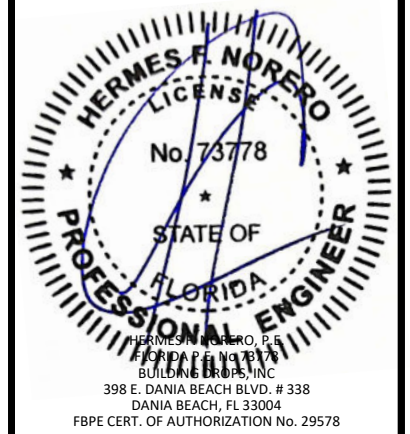
TITLE: EURO-C3 BIFOLD ALUMINUM DOOR SYSTEM (WZ3) (IMPACT)
STANDARD HARDWARE ELEVATION UNIT 2

PREPARED BY: BUILDING DROPS, INC.
1900 NE MIAMI CT UNIT 2-15
MIAMI, FL 33132
PH: (954) 399-8478
FAX: (954) 744-4738
WEB: www.buildingdrops.com



REMARKS	BY	DATE
2023 CODE CHANGE	MG	02/23
MISC. UPDATE	OL	06/23
PANIC DEVICE UPDATE	SH	09/23
JORDAN'S DOOR UPD.	FB	12/23

THE INSTALLATION DETAILS DESCRIBED HEREIN ARE GENERIC AND MAY NOT REFLECT ACTUAL CONDITIONS FOR A SPECIFIC SITE. IF SITE CONDITIONS CAUSE INSTALLATION TO DEVIATE FROM THE REQUIREMENTS DETAILED HEREIN, A LICENSED ENGINEER OR ARCHITECT SHALL PREPARE SITE SPECIFIC DOCUMENTS FOR USE WITH THIS DOCUMENT.

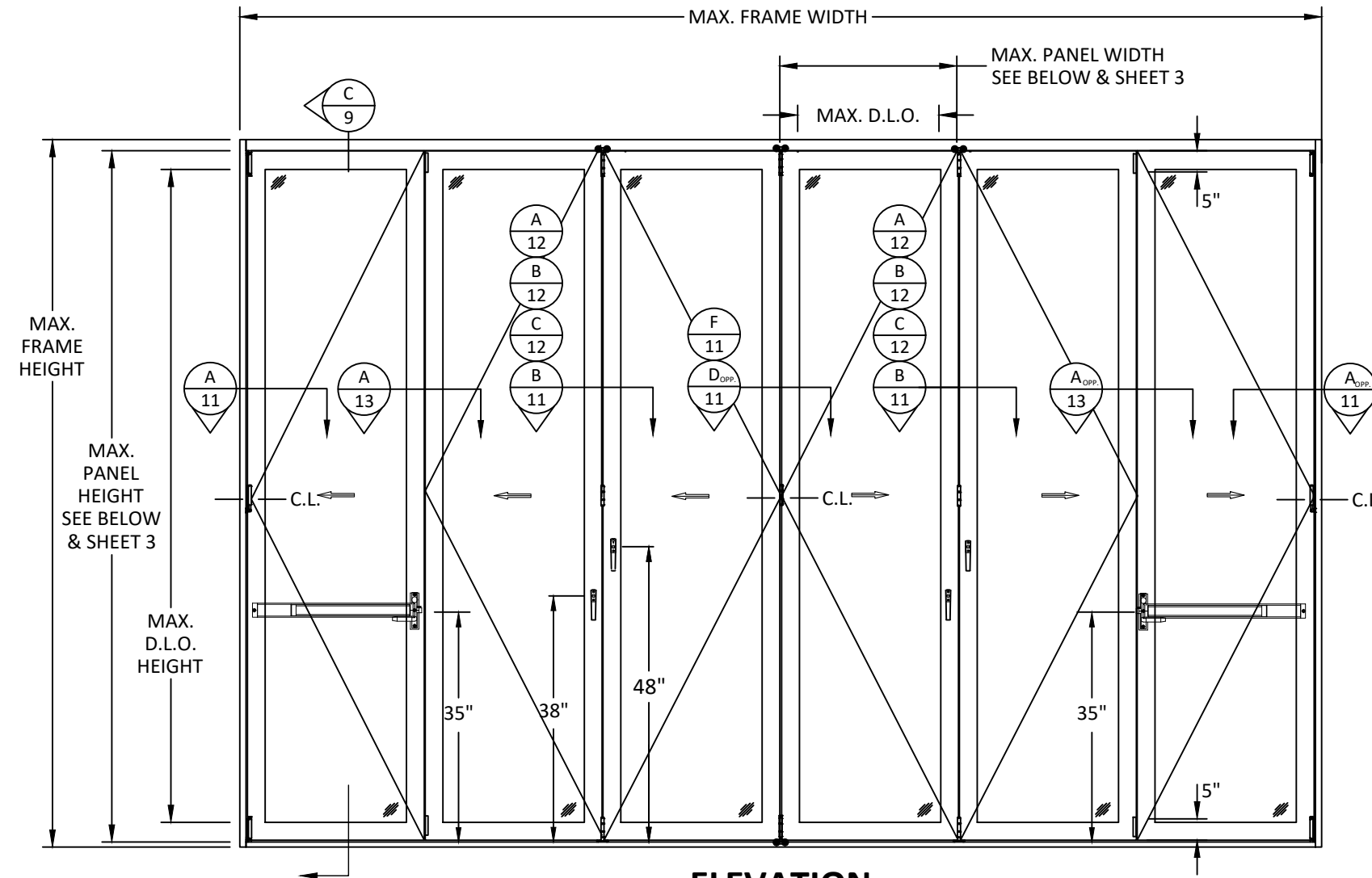


FL #: **FL17838**
DATE: **10.09.20**
DWG. BY: **LL** | CHK. BY: **SM**
SCALE: **NTS**
DWG. #: **EWS014**

SHEET **6** OF 14

TITLE: **EURO-C3 BIFOLD ALUMINUM DOOR SYSTEM (WZ3) (IMPACT)**
PANIC HARDWARE ELEVATION UNIT 2 & DESIGN PRESSURE TABLE

PREPARED BY: **BUILDING DROPS, INC.**
1900 NE MIAMI CT UNIT 2-15
MIAMI, FL 33132
PH: (954) 399-8478
FAX: (954) 744-4738
WEB: www.buildingdrops.com



ELEVATION
OUTSWING UNIT WITH PANIC EXIT DEVICE LOCKING HARDWARE

NOTE:
THE WALL CENTER PIVOT AND CENTER HINGE IS NOT REQUIRED WHEN THE DOOR HEIGHT IS LESS THAN 72\".

NOTE:
PANIC EXIT DEVICE ONLY QUALIFIED FOR USE IN THE OUTSWING CONFIGURATION WITH ADA SILL.

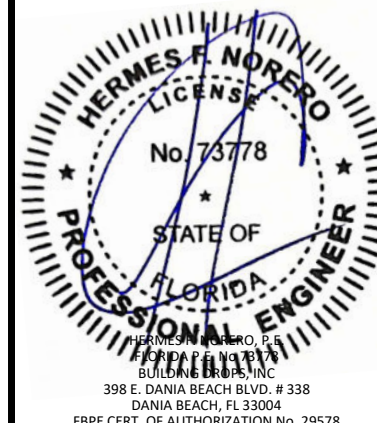
NOTE:
DOORS WITH PANIC EXIT DEVICE LOCKING HARDWARE SHALL BE LIMITED TO THE DIMENSIONS SHOWN IN THE TABLE BELOW AND THE SIZES GIVEN ON SHEET 3 GLASS DESIGN PRESSURE TABLES. THE LOWER OF THE TWO DESIGN PRESSURE VALUES SHALL GOVERN. DOORS WITH PANIC DEVICE ARE NOT RATED FOR WATER INFILTRATION.

D.L.O. HEIGHT = PANEL HEIGHT - 7.0375"
D.L.O. WIDTH = PANEL WIDTH - 7.3125"

NOTE:
PANELS SHOWN ARE BASED ON TESTING, OTHER APPROVED CONFIGURATIONS ARE AS FOLLOWS:
3 PANEL - 1L 2LR, 2LR 1R
4 PANEL - 1L 2LR 1R
5 PANEL - 1L 4LR, 4LR 1R
6 PANEL - 1L 4LR 1R
7 PANEL - 1L 6LR, 6LR 1R
8 PANEL - 1L 6LR 1R
9 PANEL - 1L 8LR, 8LR 1R

FOR DOOR WITH GLASS TYPE 1 & 2, OVERALL FRAME AREA SHALL NOT EXCEED 415 FT² (1.5 X TESTED FRAME AREA).
FOR DOOR WITH GLASS TYPE 3, 4, 5, 6, 7, 8, 9, & 10, OVERALL FRAME AREA SHALL NOT EXCEED 334 FT² (1.5 X TESTED FRAME AREA).

PANIC EXIT DEVICE LOCKING HARDWARE DESIGN PRESSURE TABLE (+/- PSF)								
NOMINAL PANEL WIDTH (INCHES)								
	20.0	24.0	28.0	32.0	36.0	40.0	44.0	
PANEL HEIGHT (INCHES)	96.0	65.00	65.00	65.00	65.00	65.00	65.0	65.0
	102.0	65.00	65.00	65.00	65.00	65.00	65.0	-
	108.0	65.00	65.00	65.00	65.00	65.00	65.0	-
	114.0	65.00	65.00	65.00	65.00	65.00	-	-
	120.0	65.00	65.00	65.00	65.00	65.00	-	-
	126.0	65.00	65.00	65.00	62.52	-	-	-
	132.0	65.00	65.00	61.65	54.25	-	-	-
	138.0	65.00	62.58	53.87	-	-	-	-
	144.0	65.00	55.02	47.35	-	-	-	-
	150.0	58.18	48.64	41.84	-	-	-	-
	156.0	51.7	43.2	-	-	-	-	-
162.0	46.1	38.6	-	-	-	-	-	
168.0	41.4	34.5	-	-	-	-	-	



FL #: **FL17838**

DATE: **10.09.20**

DWG. BY: **LL** CHK. BY: **SM**

SCALE: **NTS**

DWG. #: **EWS014**

SHEET **7** OF 14

z:\projects\euro-wall systems\fbc-23-1140 - fbc submittal - fl17838 c3 folding door revision - jordan's new folding door.dwg\dwgs\ews014-fbc23.dwg

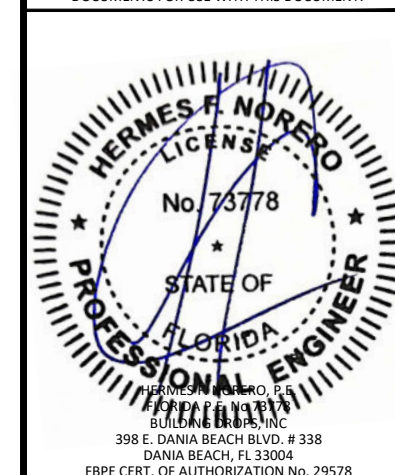
TITLE: EURO-C3 BIFOLD
ALUMINUM DOOR SYSTEM
(WZ3) (IMPACT)
ANCHOR LAYOUT

PREPARED BY:
BUILDING DROPS, INC.
1900 NE MIAMI CT UNIT 2-15
MIAMI, FL 33132
PH: (954) 399-8478
FAX: (954) 744-4738
WEB: www.buildingdrops.com



REMARKS	BY	DATE
2023 CODE CHANGE	MG	02/23
MISC. UPDATE	OL	06/23
PANIC DEVICE UPDATE	SH	09/23
JORDAN'S DOOR UPD.	FB	12/23

THE INSTALLATION DETAILS DESCRIBED HEREIN ARE GENERIC AND MAY NOT REFLECT ACTUAL CONDITIONS FOR A SPECIFIC SITE. IF SITE CONDITIONS CAUSE INSTALLATION TO DEVIATE FROM THE REQUIREMENTS DETAILED HEREIN, A LICENSED ENGINEER OR ARCHITECT SHALL PREPARE SITE SPECIFIC DOCUMENTS FOR USE WITH THIS DOCUMENT.



FL #: **FL17838**

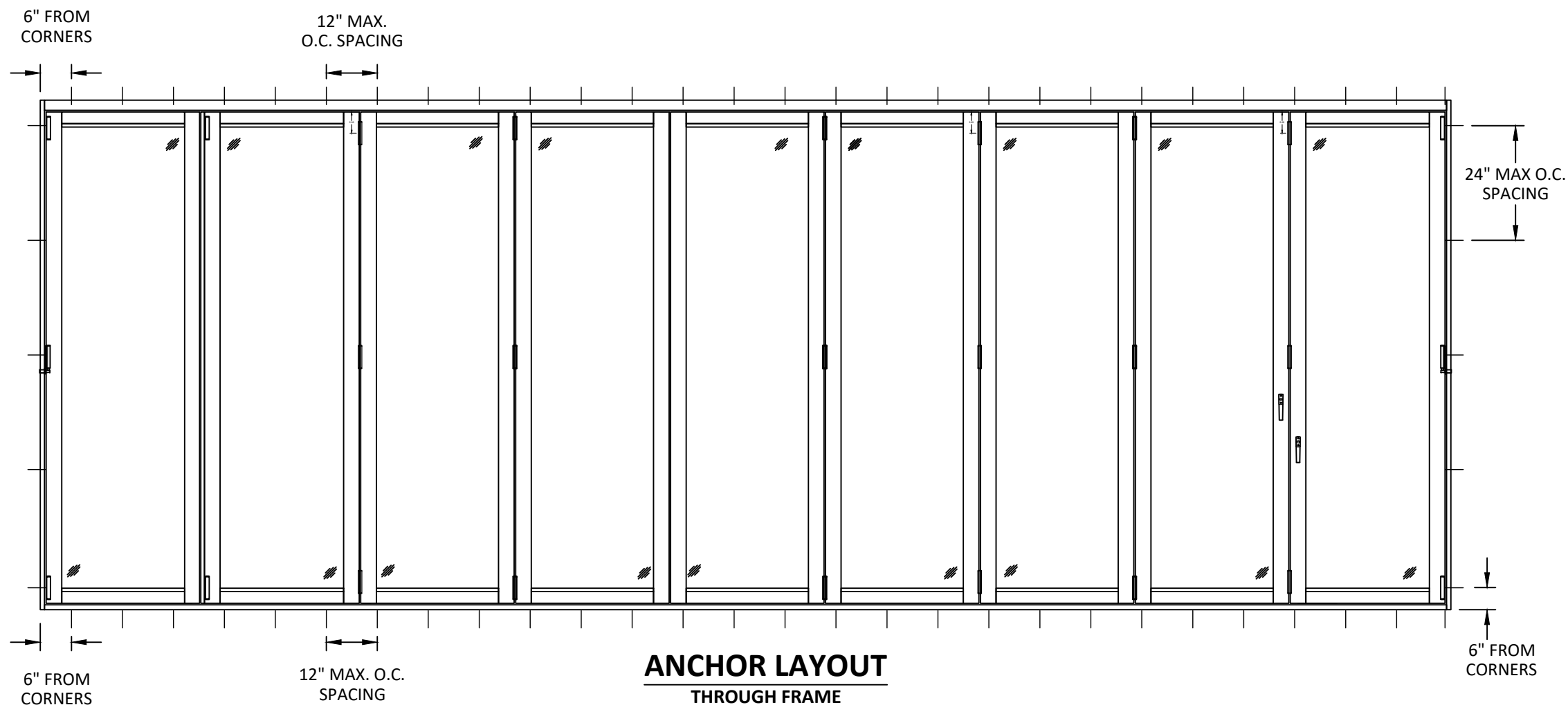
DATE: **10.09.20**

DWG. BY: **LL** CHK. BY: **SM**

SCALE: **NTS**

DWG. #: **EWS014**

SHEET
8
OF 14



NOTE :
FOR MORE ANCHOR INFORMATION
(INSTALLATION TYPE, SPACING,
QUANTITY, ANCHOR TYPE, QUALIFIED
SUBSTRATES) SEE SHEET 13

z:\projects\euro-wall systems\lbc-23-1140 - lbc submittal - fl17838 c3 folding door revision - jordan's new folding door.dwg views014-fbc23.dwg 12/20/2023 1:25 PM

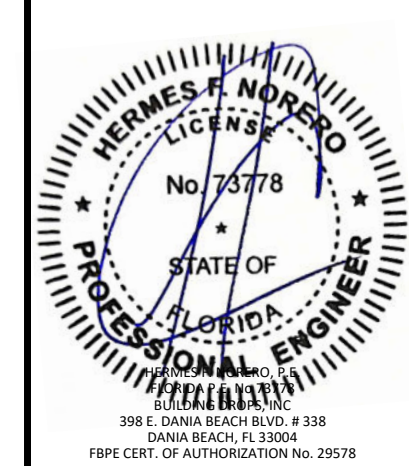
TITLE: EURO-C3 BIFOLD
ALUMINUM DOOR SYSTEM
(WZ3) (IMPACT)
VERTICAL SECTIONS

PREPARED BY:
BUILDING DROPS, INC.
1900 NE MIAMI CT UNIT 2-15
MIAMI, FL 33132
PH: (954) 399-8478
FAX: (954) 744-4738
WEB: www.buildingdrops.com



REMARKS	BY	DATE
2023 CODE CHANGE	MG	02/23
MISC. UPDATE	OL	06/23
PANIC DEVICE UPDATE	SH	09/23
JORDAN'S DOOR UPD.	FB	12/23

THE INSTALLATION DETAILS DESCRIBED HEREIN ARE GENERIC AND MAY NOT REFLECT ACTUAL CONDITIONS FOR A SPECIFIC SITE. IF SITE CONDITIONS CAUSE INSTALLATION TO DEVIATE FROM THE REQUIREMENTS DETAILED HEREIN, A LICENSED ENGINEER OR ARCHITECT SHALL PREPARE SITE SPECIFIC DOCUMENTS FOR USE WITH THIS DOCUMENT.



HERMES F. NORERO, P.E.
FLORIDA PROFESSIONAL ENGINEER
BUILDING DROPS, INC.
398 E. DANIA BEACH BLVD. # 338
DANIA BEACH, FL 33004
FBPE CERT. OF AUTHORIZATION No. 29578

FL #: **FL17838**

DATE: **10.09.20**

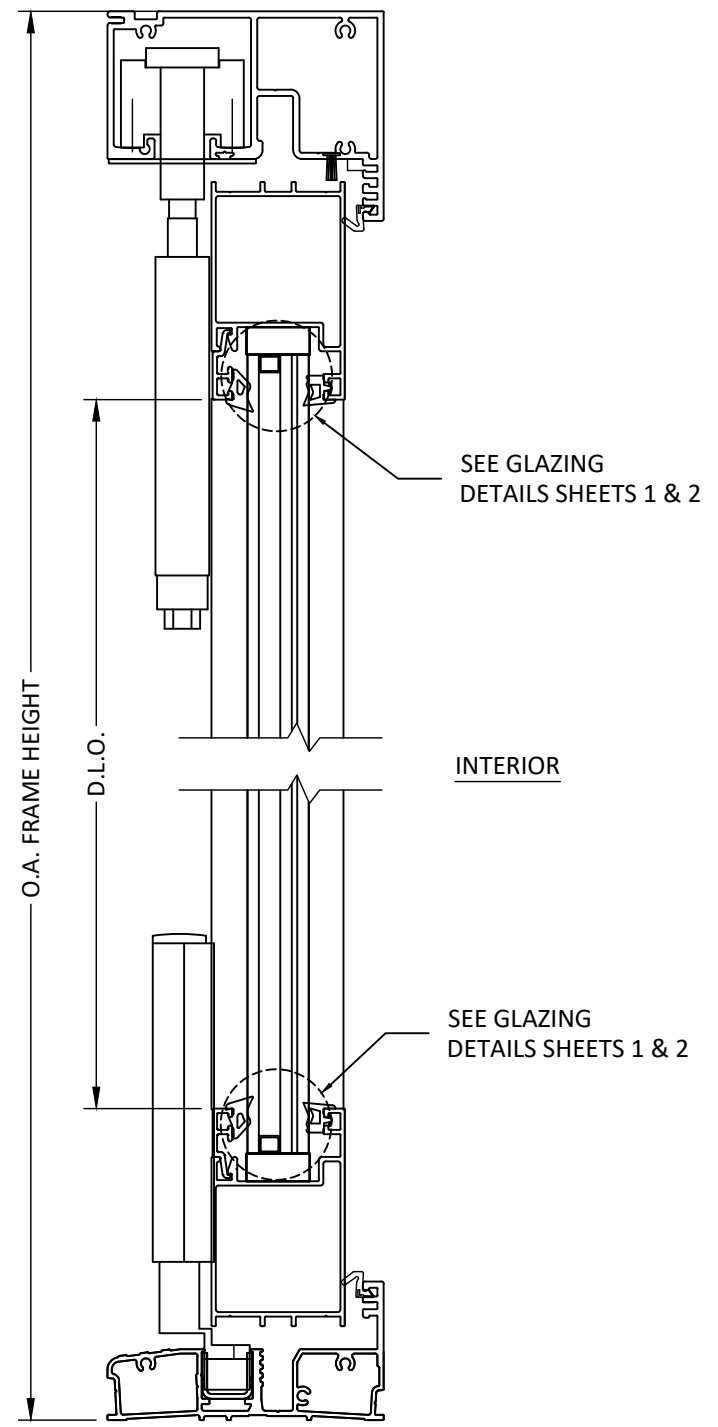
DWG. BY: **LL** CHK. BY: **SM**

SCALE: **NTS**

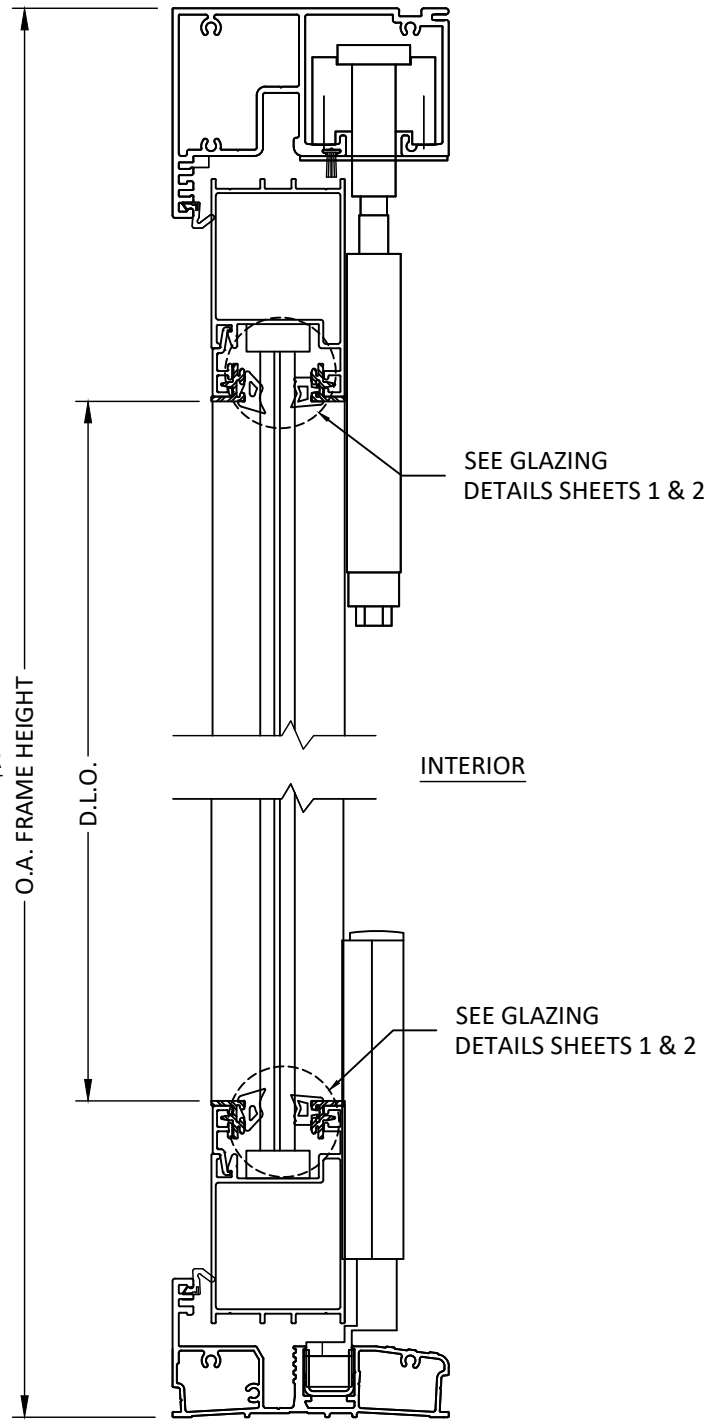
DWG. #: **EWS014**

SHEET

9

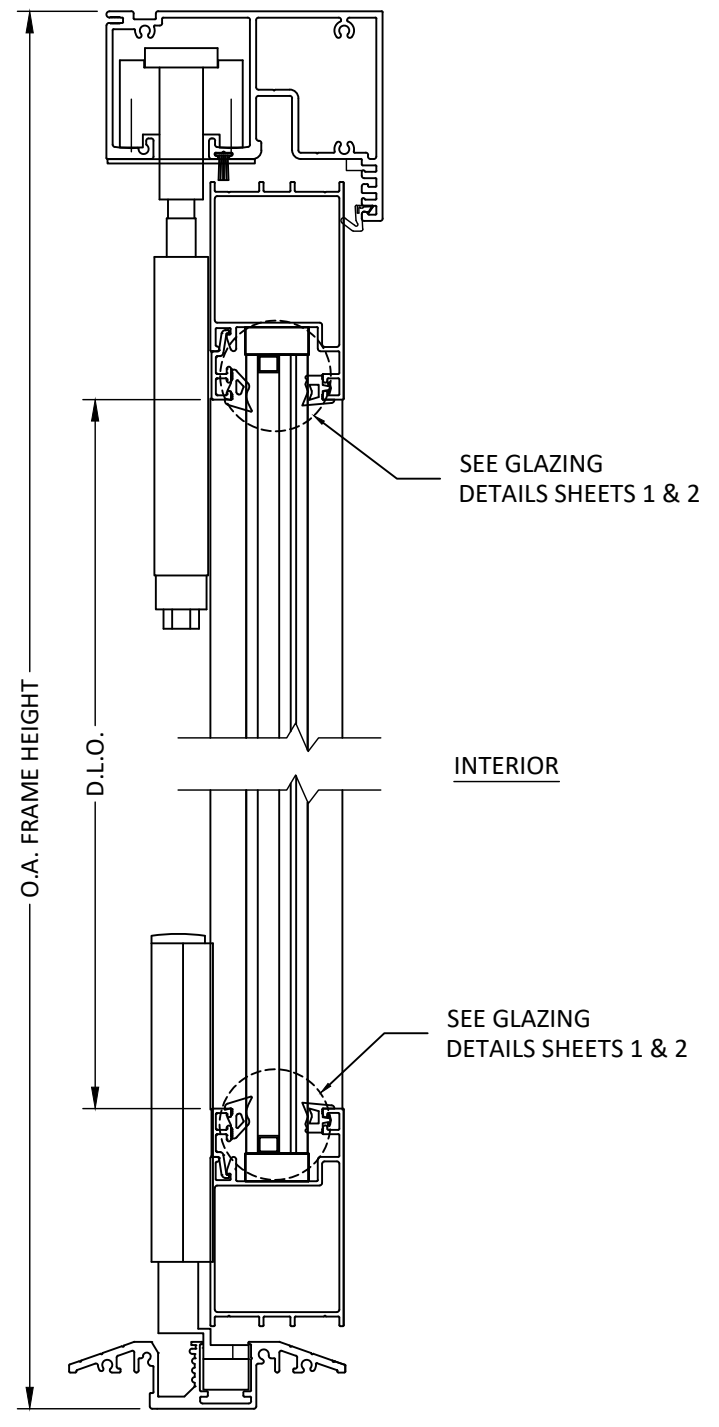


A
9 **VERTICAL SECTION**
HEAD AND STANDARD SILL OUTSWING DOOR



B
9 **VERTICAL SECTION**
HEAD AND STANDARD SILL DETAIL INSWING DOOR

NOTE:
SILL NOT APPROVED FOR
WATER PENETRATION.



C
9 **VERTICAL SECTION**
HEAD AND ADA SILL DETAIL OUTSWING DOOR

NOTE:
SILL NOT APPROVED FOR
WATER PENETRATION.

z:\projects\euro-wall systems\lbc-23-1140 - lbc submittal - fl17838 c3 folding door revision - jordan's new folding door.dwg views014-fbc23.dwg 12/20/2023 1:25 PM

euro-wall
SUPERIOR BY DESIGN

EURO-WALL, LLC
P.O. BOX 8007
NORTH PORT, FL 34290
PH: (888) 989-3876

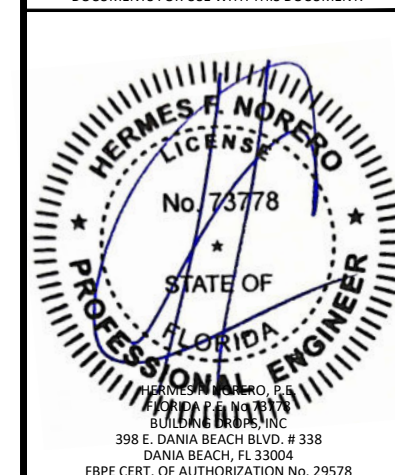
TITLE: EURO-C3 BIFOLD
ALUMINUM DOOR SYSTEM
(WZ3) (IMPACT)
VERTICAL SECTIONS

PREPARED BY:
BUILDING DROPS, INC.
1900 NE MIAMI CT UNIT 2-15
MIAMI, FL 33132
PH: (954) 399-8478
FAX: (954) 744-4738
WEB: www.buildingdrops.com



REMARKS	BY	DATE
2023 CODE CHANGE	MG	02/23
MISC. UPDATE	OL	06/23
PANIC DEVICE UPDATE	SH	09/23
JORDAN'S DOOR UPD.	FB	12/23

THE INSTALLATION DETAILS DESCRIBED HEREIN ARE GENERIC AND MAY NOT REFLECT ACTUAL CONDITIONS FOR A SPECIFIC SITE. IF SITE CONDITIONS CAUSE INSTALLATION TO DEVIATE FROM THE REQUIREMENTS DETAILED HEREIN, A LICENSED ENGINEER OR ARCHITECT SHALL PREPARE SITE SPECIFIC DOCUMENTS FOR USE WITH THIS DOCUMENT.



FL #: **FL17838**

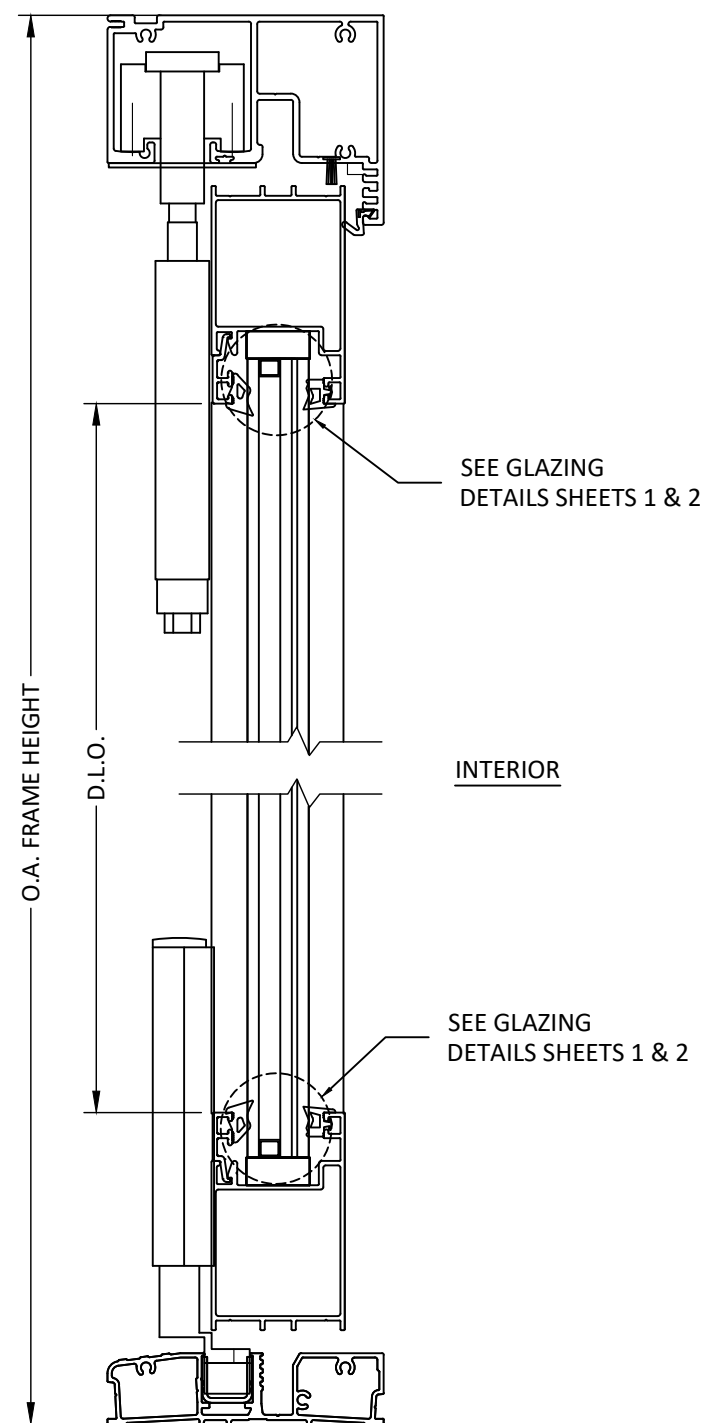
DATE: **10.09.20**

DWG. BY: **LL** CHK. BY: **SM**

SCALE: **NTS**

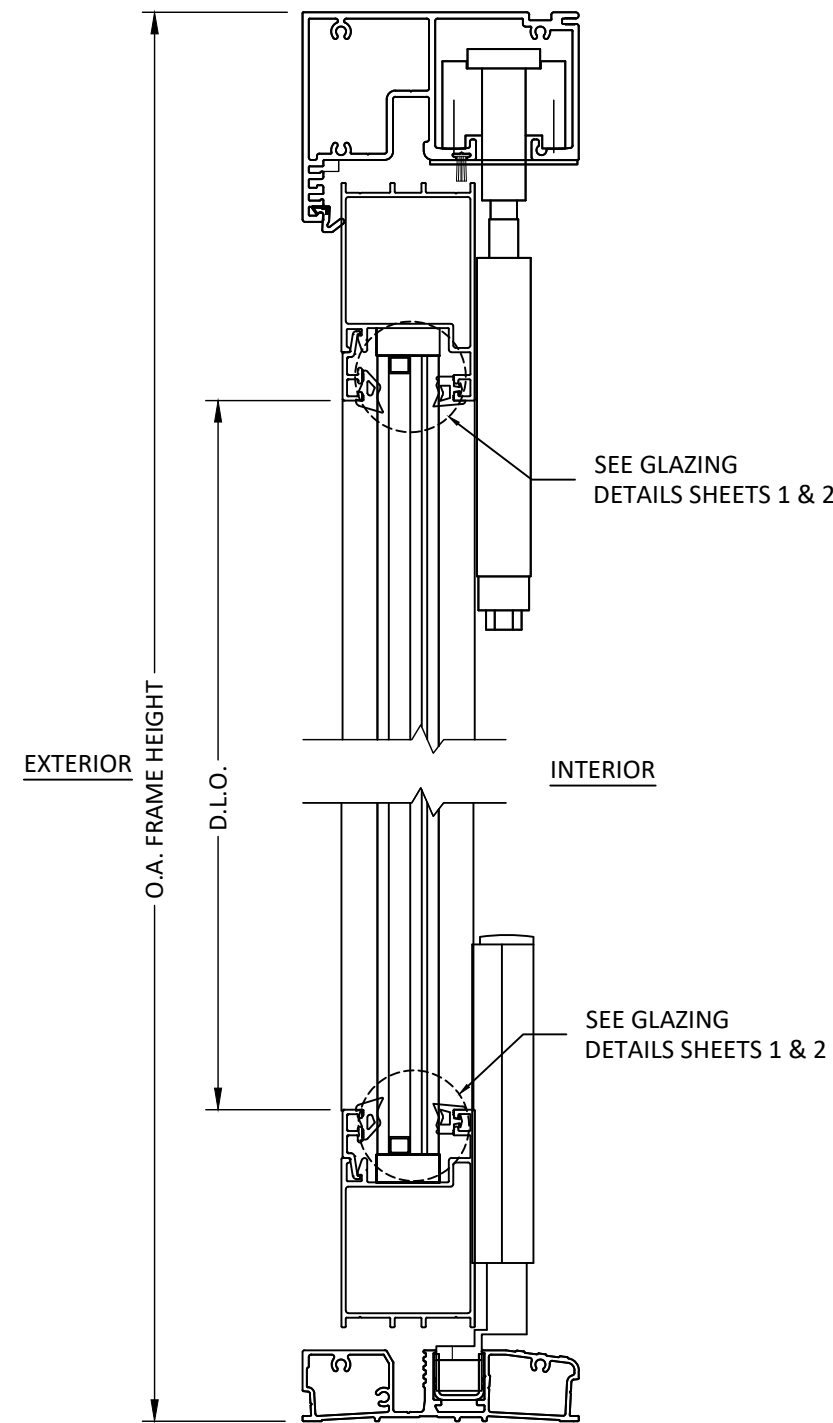
DWG. #: **EWS014**

SHEET
10
OF 14



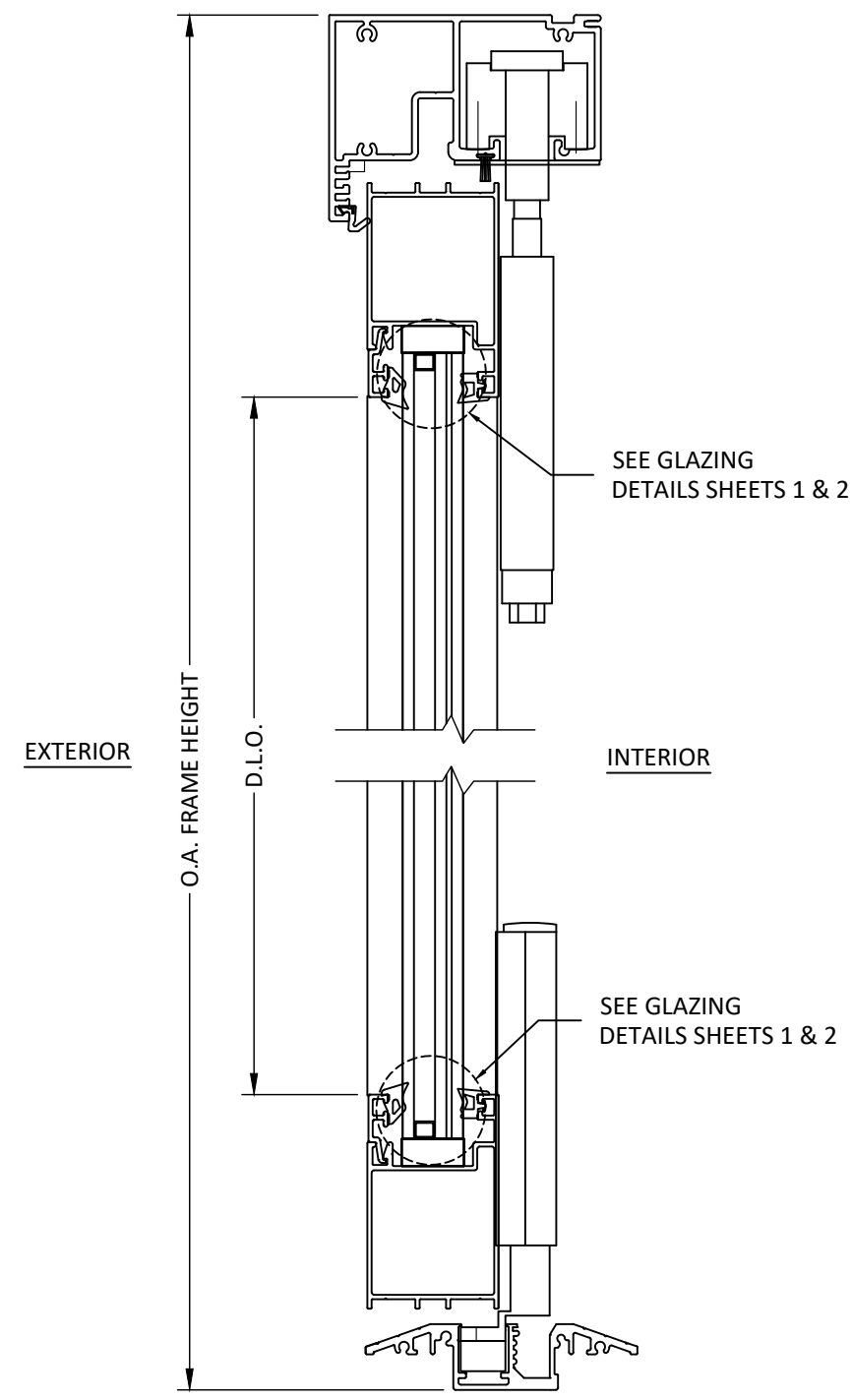
A
10 **VERTICAL SECTION**
HEAD AND MODIFIED SILL OUTSWING DOOR

NOTE:
SILL NOT APPROVED FOR
WATER PENETRATION.



B
10 **VERTICAL SECTION**
HEAD AND MODIFIED SILL DETAIL INSWING DOOR

NOTE:
SILL NOT APPROVED FOR
WATER PENETRATION.



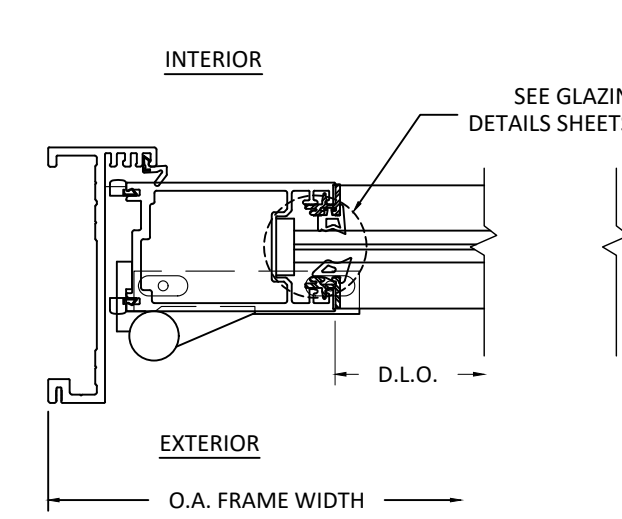
C
10 **VERTICAL SECTION**
HEAD AND ADA SILL DETAIL INSWING DOOR

NOTE:
SILL NOT APPROVED FOR
WATER PENETRATION.

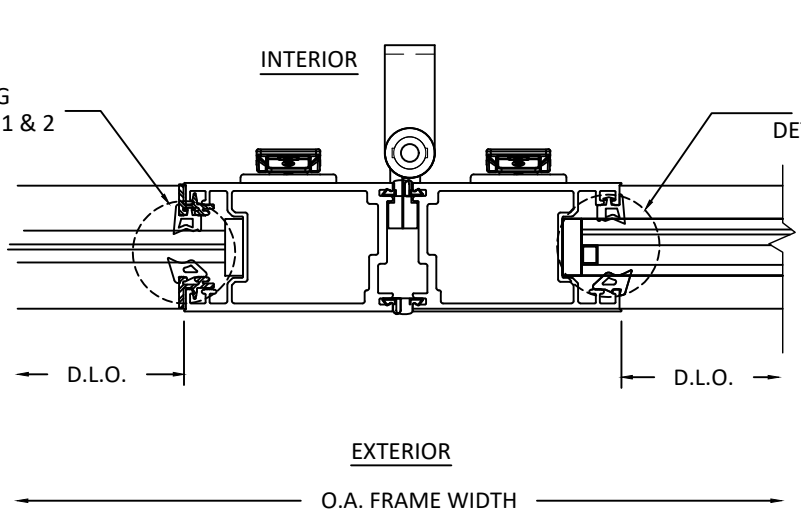
z:\projects\euro-wall systems\lbc-23-1140 - lbc submittal - fl17838 c3 folding door revision - jordan's new folding door.dwg\lbc23.dwg 12/20/2023 1:25 PM

TITLE: EURO-C3 BIFOLD
ALUMINUM DOOR SYSTEM
(WZ3) (IMPACT)
HORIZONTAL SECTIONS

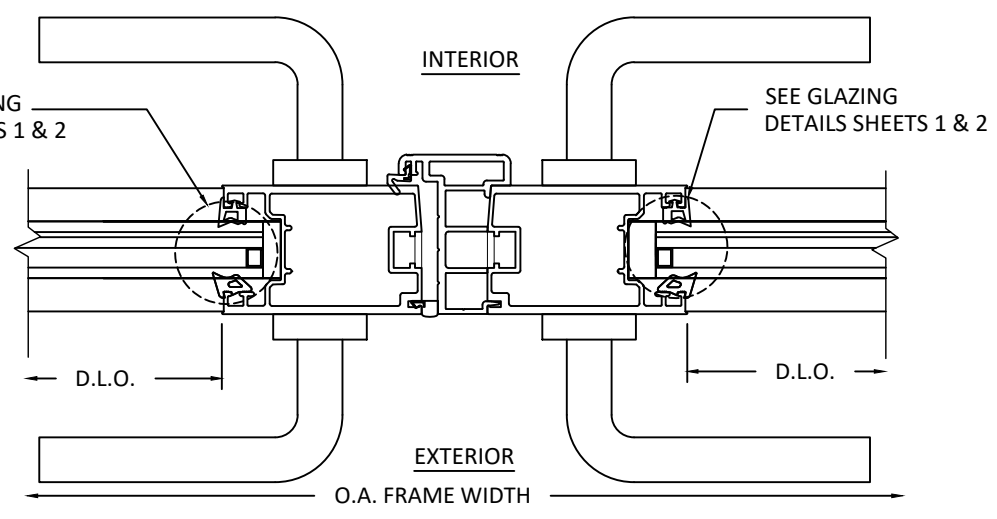
PREPARED BY:
B.D.
BUILDING DROPS, INC.
1900 NE MIAMI CT UNIT 2-15
MIAMI, FL 33132
PH: (954) 399-8478
FAX: (954) 744-4738
WEB: www.buildingdrops.com



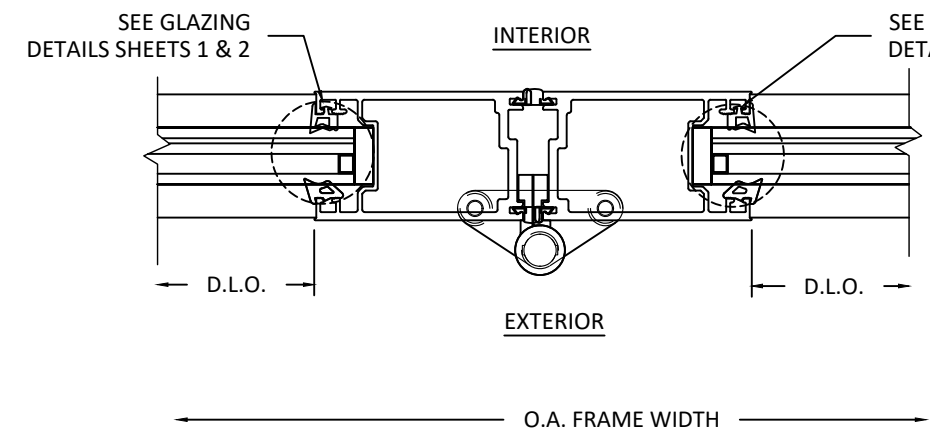
A
11 HORIZONTAL SECTION
JAMB DETAIL/ OUTSWING



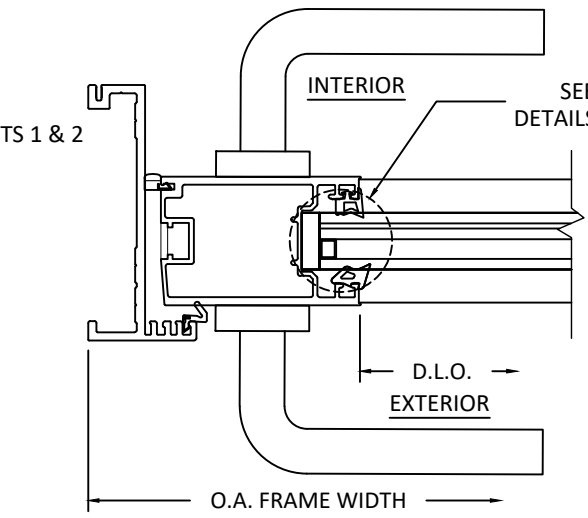
B
11 HORIZONTAL SECTION
PANEL TO PANEL DETAIL/ OUTSWING



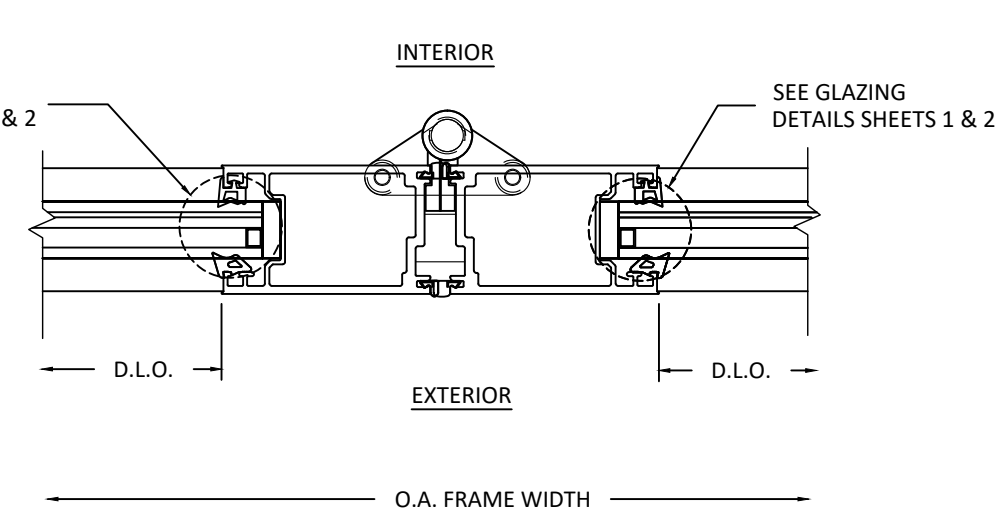
C
11 HORIZONTAL SECTION
STANDARD HARDWARE DETAIL/ OUTSWING



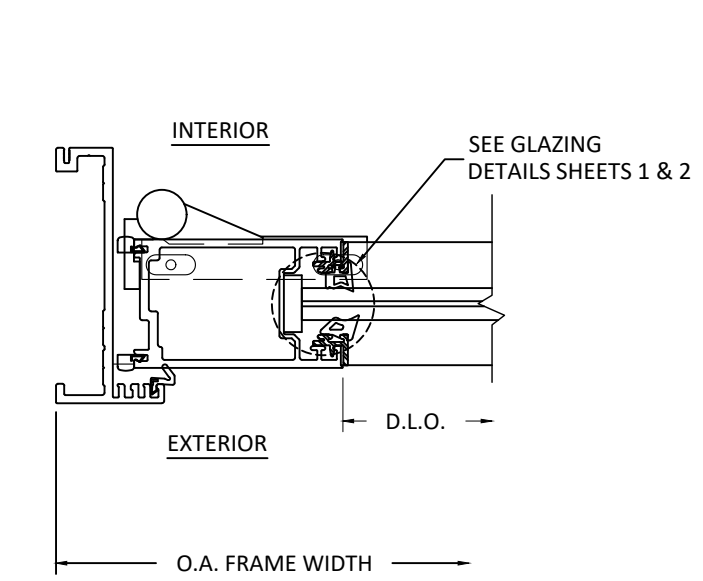
D
11 HORIZONTAL SECTION
PANEL TO PANEL DETAIL/ OUTSWING



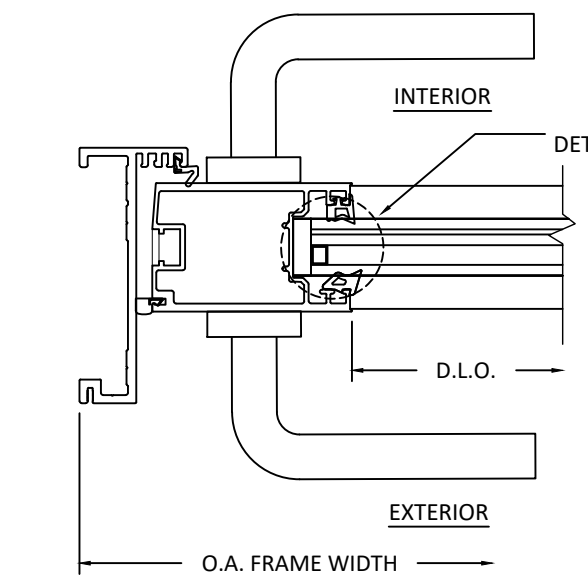
E
11 HORIZONTAL SECTION
JAMB DETAIL W/ STANDARD HARDWARE/ INSWING



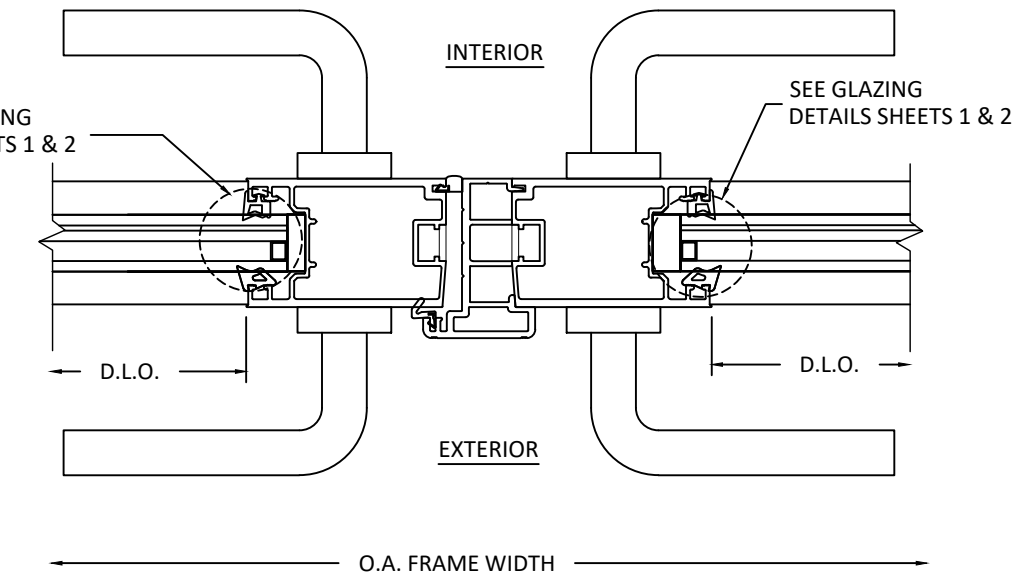
F
11 HORIZONTAL SECTION
PANEL TO PANEL DETAIL/ INSWING



G
11 HORIZONTAL SECTION
JAMB DETAIL/ INSWING



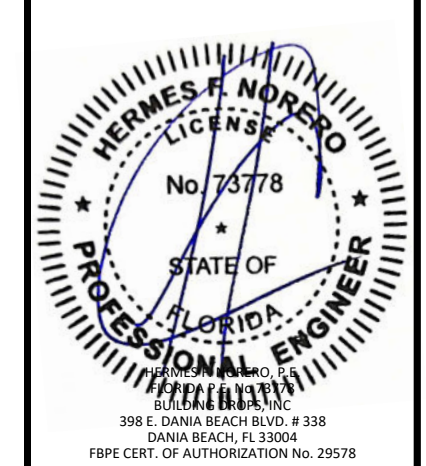
H
11 HORIZONTAL SECTION
JAMB DETAIL W/ STANDARD HARDWARE/ OUTSWING



I
11 HORIZONTAL SECTION
STANDARD HARDWARE DETAIL/ INSWING

REMARKS	BY	DATE
2023 CODE CHANGE	MG	02/23
MISC. UPDATE	OL	06/23
PANIC DEVICE UPDATE	SH	09/23
JORDAN'S DOOR UPD.	FB	12/23

THE INSTALLATION DETAILS DESCRIBED HEREIN ARE GENERIC AND MAY NOT REFLECT ACTUAL CONDITIONS FOR A SPECIFIC SITE. IF SITE CONDITIONS CAUSE INSTALLATION TO DEVIATE FROM THE REQUIREMENTS DETAILED HEREIN, A LICENSED ENGINEER OR ARCHITECT SHALL PREPARE SITE SPECIFIC DOCUMENTS FOR USE WITH THIS DOCUMENT.

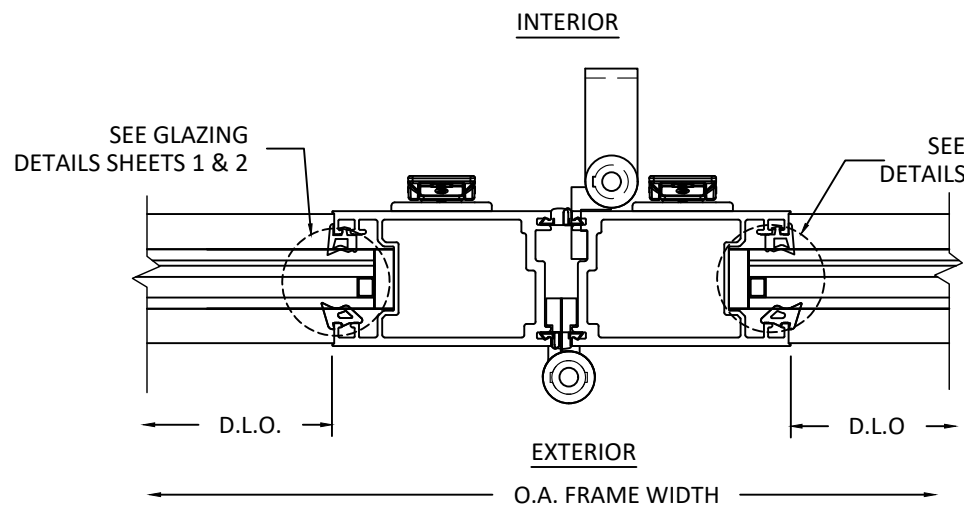


FL #:	FL17838
DATE:	10.09.20
DWG. BY:	LL
CHK. BY:	SM
SCALE:	NTS
DWG. #:	EWS014

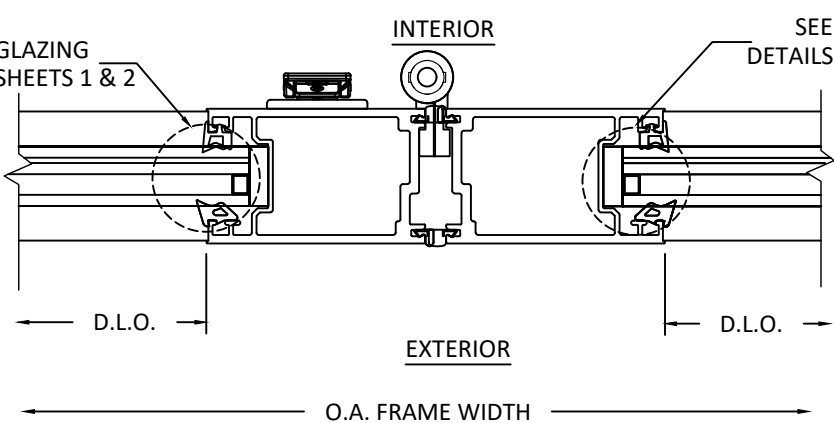
12/20/2023 1:25 PM
 z:\projects\euro-wall systems\fbc-23-1140 - fbc submittal - f117838 c3 folding door revision - jordan's new folding door.dwg
 z:\projects\euro-wall systems\fbc-23-1140 - fbc submittal - f117838 c3 folding door revision - jordan's new folding door.dwg

TITLE: EURO-C3 BIFOLD
 ALUMINUM DOOR SYSTEM
 (WZ3) (IMPACT)
 HORIZONTAL SECTIONS

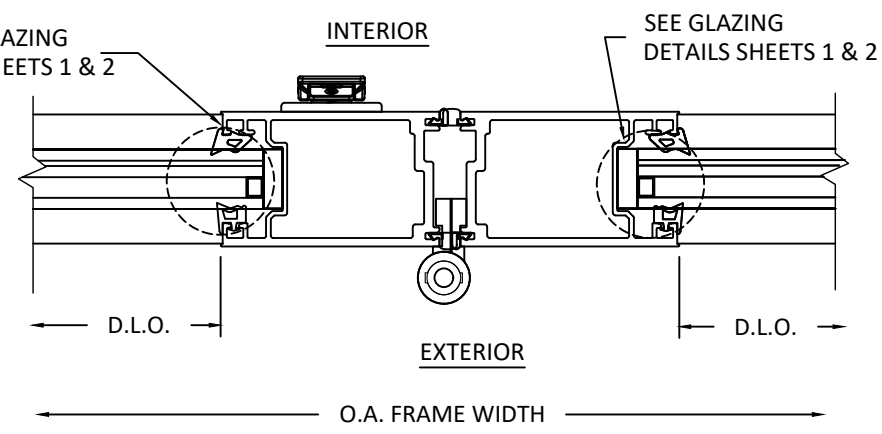
PREPARED BY:
BUILDING DROPS, INC.
 1900 NE MIAMI CT UNIT 2-15
 MIAMI, FL 33132
 PH: (954) 399-8478
 FAX: (954) 744-4738
 WEB: www.buildingdrops.com



A
12 HORIZONTAL SECTION
 PANEL TO PANEL DETAIL/ INSWING

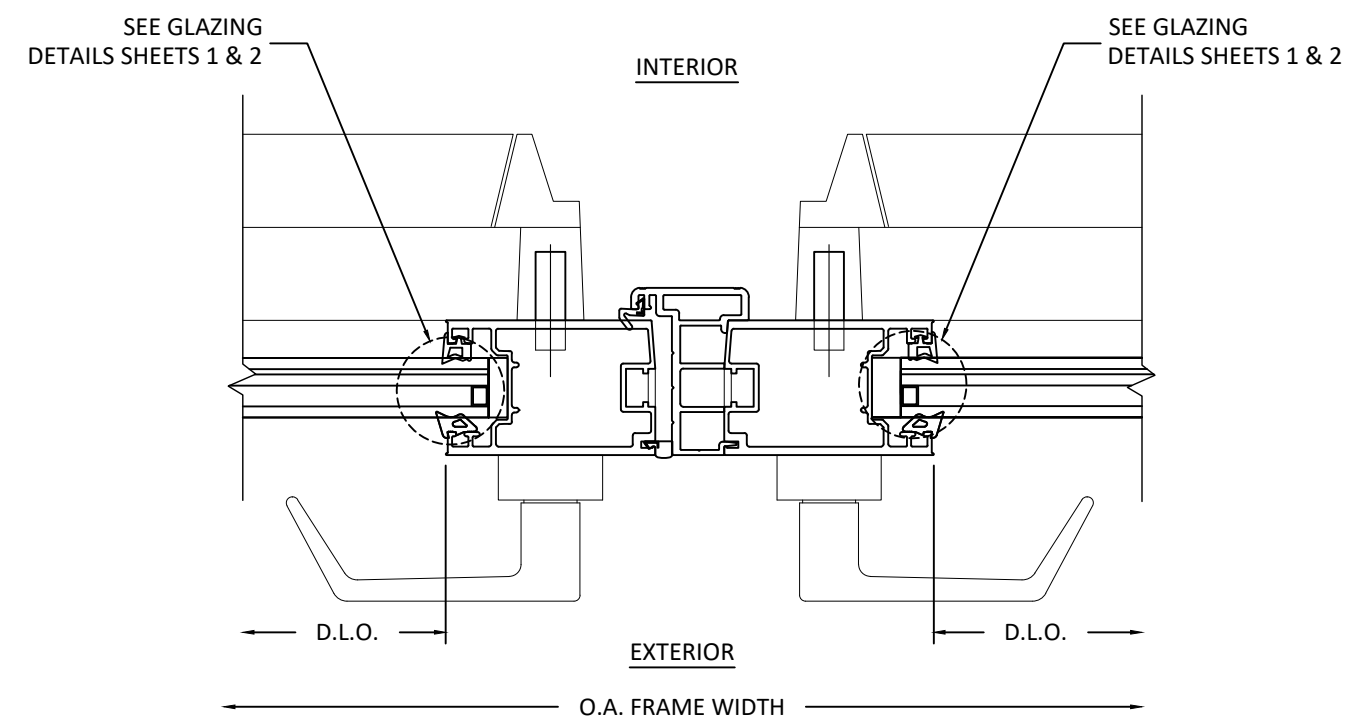


B
12 HORIZONTAL SECTION
 PANEL TO PANEL DETAIL/ OUTSWING

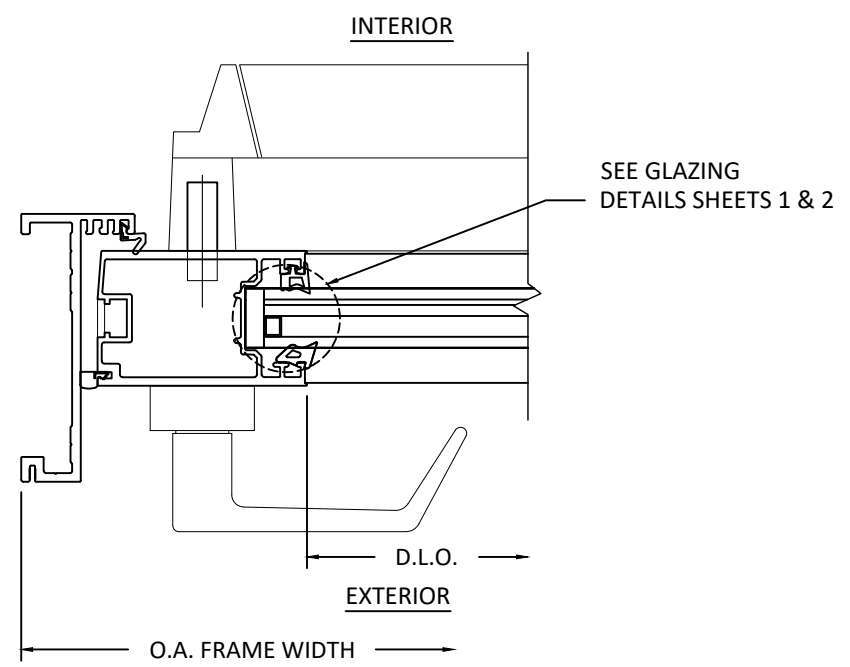


C
12 HORIZONTAL SECTION
 PANEL TO PANEL DETAIL/ INSWING

NOTE: DETAIL B/10 & C/10 ARE APPLICABLE FOR CONFIGURATIONS LISTED ON SHEETS 4 - 7 WHEN PANELS DO NOT EXCEED 30 FT²



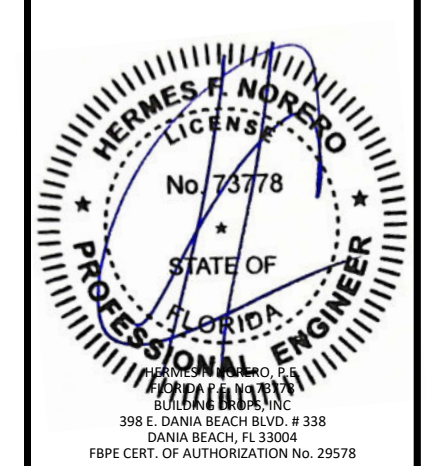
D
12 HORIZONTAL SECTION
 PANIC HARDWARE DETAIL/ OUTSWING



E
12 HORIZONTAL SECTION
 JAMB DETAIL W/ PANIC HARDWARE/ OUTSWING

REMARKS	BY	DATE
2023 CODE CHANGE	MG	02/23
MISC. UPDATE	OL	06/23
PANIC DEVICE UPDATE	SH	09/23
JORDAN'S DOOR UPD.	FB	12/23

THE INSTALLATION DETAILS DESCRIBED HEREIN ARE GENERIC AND MAY NOT REFLECT ACTUAL CONDITIONS FOR A SPECIFIC SITE. IF SITE CONDITIONS CAUSE INSTALLATION TO DEVIATE FROM THE REQUIREMENTS DETAILED HEREIN, A LICENSED ENGINEER OR ARCHITECT SHALL PREPARE SITE SPECIFIC DOCUMENTS FOR USE WITH THIS DOCUMENT.



FL #: **FL17838**

DATE: **10.09.20**

DWG. BY: **LL** CHK. BY: **SM**

SCALE: **NTS**

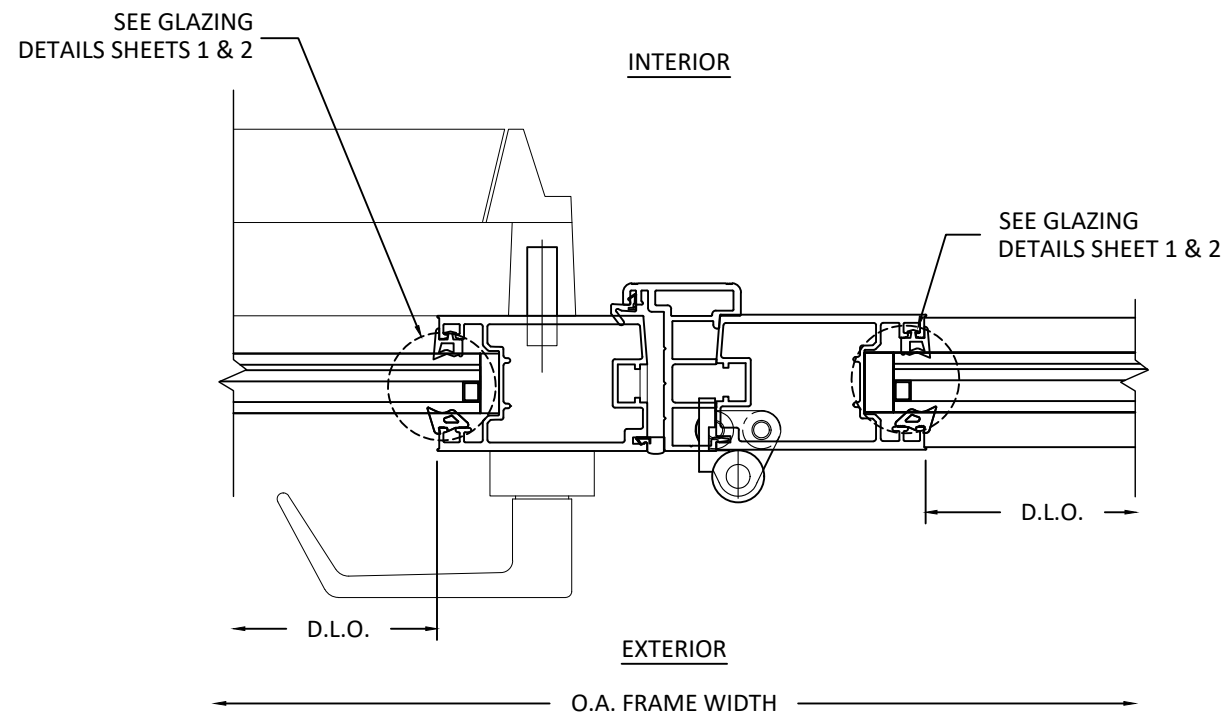
DWG. #: **EWS014**

SHEET
12
 OF 14

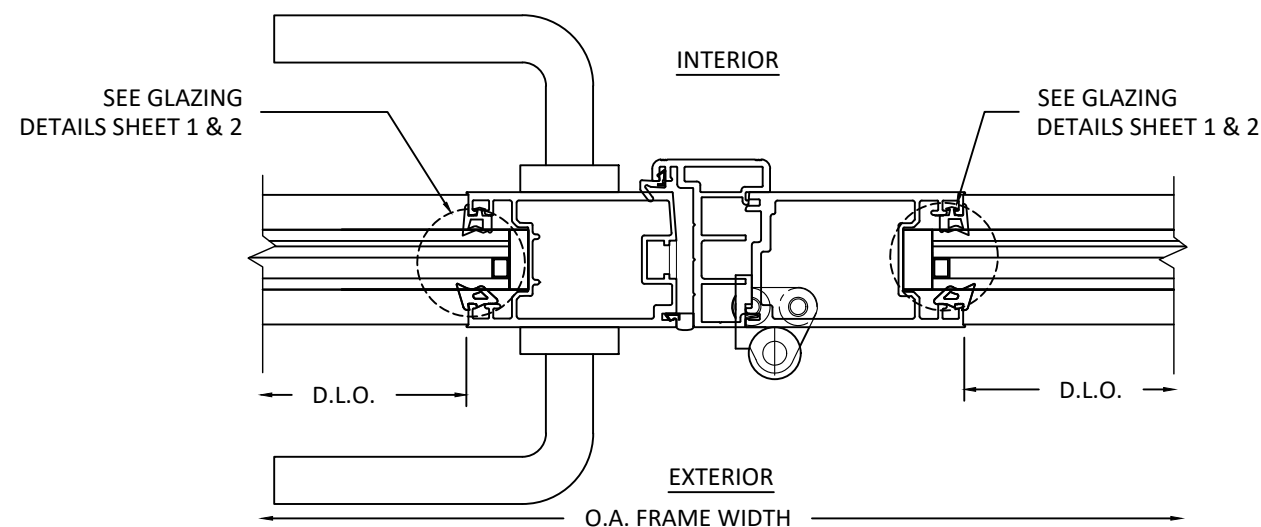
z:\projects\euro-wall systems\fbc-23-1140 - fbc submittal - fl17838 c3 folding door revision - jordan's new folding door.dwg\dwgs\ews014-fbc23.dwg

TITLE: EURO-C3 BIFOLD
ALUMINUM DOOR SYSTEM
(WZ3) (IMPACT)
HORIZONTAL DETAILS

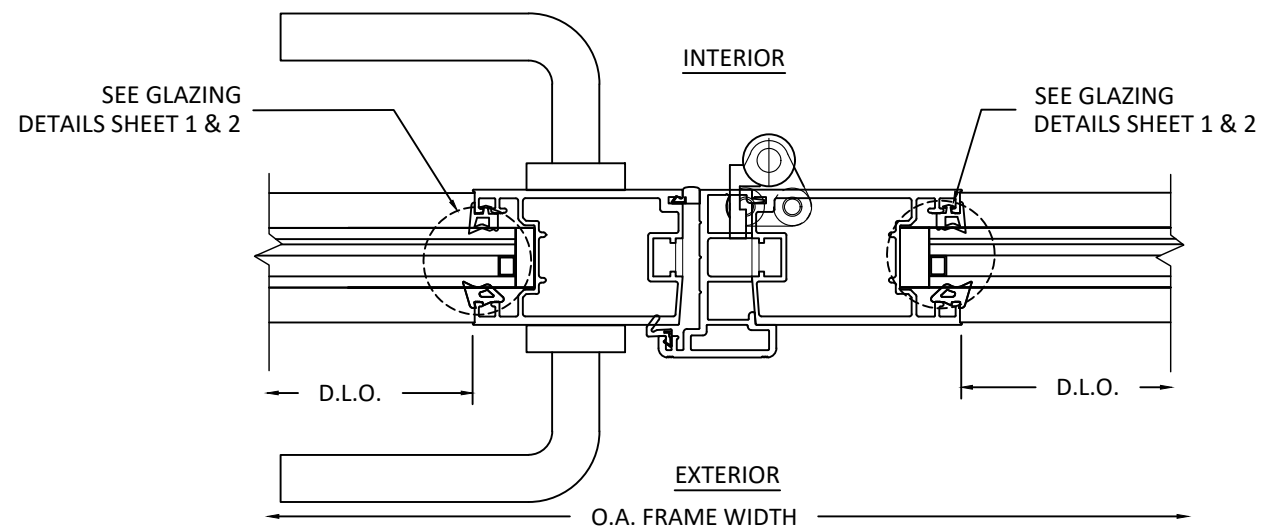
PREPARED BY:
BUILDING DROPS, INC.
1900 NE MIAMI CT UNIT 2-15
MIAMI, FL 33132
PH: (954) 399-8478
FAX: (954) 744-4738
WEB: www.buildingdrops.com



A
13 HORIZONTAL SECTION
PANIC HARDWARE DETAIL/ OUTSWING



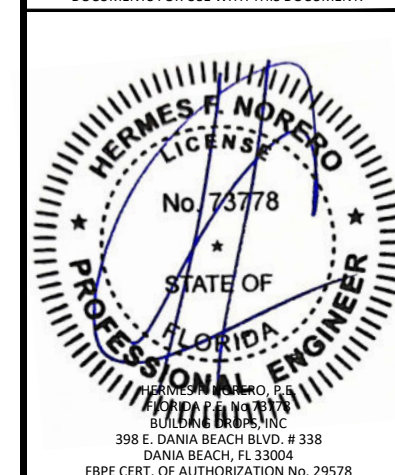
B
13 HORIZONTAL SECTION
STANDARD HARDWARE DETAIL/ OUTSWING



C
13 HORIZONTAL SECTION
STANDARD HARDWARE DETAIL/ INSWING

REMARKS	BY	DATE
2023 CODE CHANGE	MG	02/23
MISC. UPDATE	OL	06/23
PANIC DEVICE UPDATE	SH	09/23
JORDAN'S DOOR UPD.	FB	12/23

THE INSTALLATION DETAILS DESCRIBED HEREIN ARE GENERIC AND MAY NOT REFLECT ACTUAL CONDITIONS FOR A SPECIFIC SITE. IF SITE CONDITIONS CAUSE INSTALLATION TO DEVIATE FROM THE REQUIREMENTS DETAILED HEREIN, A LICENSED ENGINEER OR ARCHITECT SHALL PREPARE SITE SPECIFIC DOCUMENTS FOR USE WITH THIS DOCUMENT.



FL #:
FL17838

DATE: **10.09.20**

DWG. BY: **LL** CHK. BY: **SM**

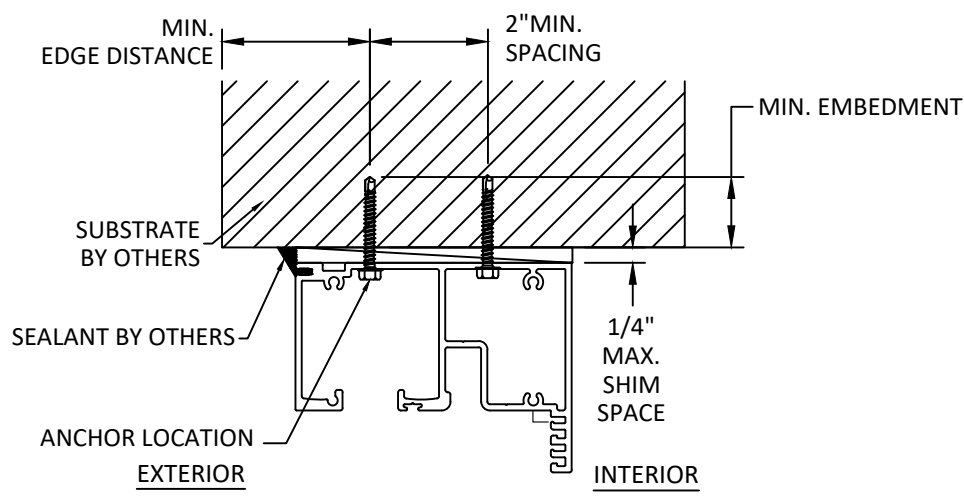
SCALE: **NTS**

DWG. #: **EWS014**

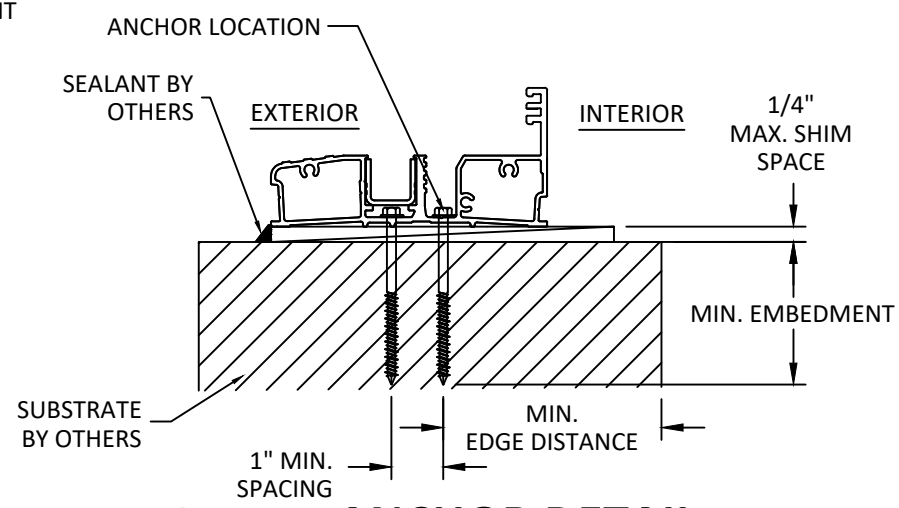
SHEET

13

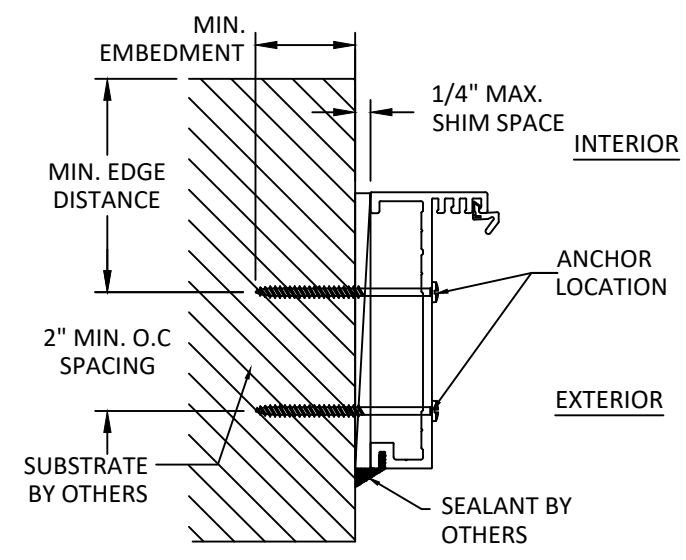
z:\projects\euro-wall systems\lbc-23-1140 - fbc submittal - fl17838 c3 folding door revision - jordan's new folding door.dwg\lbc23.dwg
 12/20/2023 1:25 PM



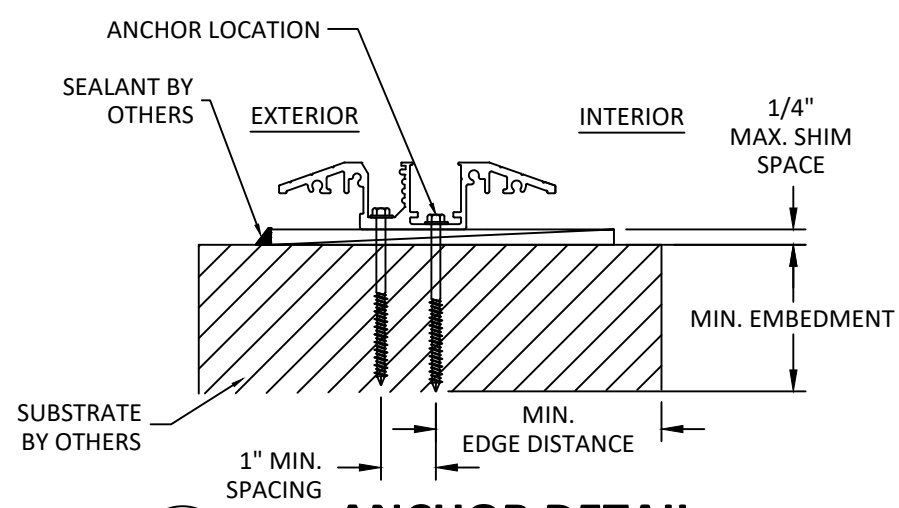
A
14 **ANCHOR DETAIL**
HEAD - THROUGH FRAME



B
14 **ANCHOR DETAIL**
STANDARD OR MODIFIED SILL - THROUGH FRAME
INSWING/OUTSWING



C
14 **ANCHOR DETAIL**
JAMBS - THROUGH FRAME



D
14 **ANCHOR DETAIL**
ADA SILL - THROUGH FRAME

INSTALLATION NOTES:

- TWO (2) INSTALLATION ANCHORS REQUIRED AT EACH LOCATION SHOWN.
- OPTIONAL 1X AND 2X WOOD STUDS FOR CONCRETE/CMU INSTALLATION.
- THE NUMBER OF INSTALLATION ANCHORS DEPICTED IS THE MINIMUM NUMBER OF ANCHORS TO BE USED FOR PRODUCT INSTALLATION OF THE MAXIMUM SIZE LISTED.
- INSTALL INDIVIDUAL INSTALLATION ANCHORS WITHIN A TOLERANCE OF $\pm 1/2$ INCH THE DEPICTED LOCATION & SPACING IN THE ANCHOR LAYOUT DETAILS (I.E., WITHOUT CONSIDERATION OF TOLERANCES). TOLERANCES ARE NOT CUMULATIVE FROM ONE INSTALLATION ANCHOR TO THE NEXT.
- SHIM AS REQUIRED AT EACH INSTALLATION ANCHOR WITH LOAD BEARING SHIM(S). MAXIMUM ALLOWABLE SHIM STACK TO BE 1/4 INCH. SHIM WHERE SPACE OF 1/16 INCH OR GREATER OCCURS. SHIM(S) SHALL BE CONSTRUCTED OF HIGH DENSITY PLASTIC OR BETTER.
- MINIMUM EMBEDMENT AND EDGE DISTANCE EXCLUDE WALL FINISHES, INCLUDING BUT NOT LIMITED TO STUCCO, FOAM, BRICK VENEER, AND SIDING.
- INSTALLATION ANCHORS AND ASSOCIATED HARDWARE MUST BE MADE OF CORROSION RESISTANT MATERIAL OR HAVE A CORROSION RESISTANT COATING.
- FOR HOLLOW BLOCK AND GROUT FILLED BLOCK, DO NOT INSTALL INSTALLATION ANCHORS INTO MORTAR JOINTS. EDGE DISTANCE IS MEASURED FROM FREE EDGE OF BLOCK OR EDGE OF MORTAR JOINT INTO FACE SHELL OF BLOCK.
- INSTALLATION ANCHORS SHALL BE INSTALLED IN ACCORDANCE WITH ANCHOR MANUFACTURER'S INSTALLATION INSTRUCTIONS, AND ANCHORS SHALL NOT BE USED IN SUBSTRATES WITH STRENGTHS LESS THAN THE MINIMUM STRENGTH SPECIFIED BY THE ANCHOR MANUFACTURER.

ANCHOR SCHEDULE					
INSTALLATION TYPE	QTY PER LOCATION	SUBSTRATE	ANCHOR TYPE	EMBEDMENT (IN.)	EDGE DISTANCE (IN.)
THRU FRAME	2	WOOD (MIN. S.G. = 0.55)	#14 WOOD SCREW	1.50	0.75
	2	CONCRETE (MIN. F'C = 2,000 PSI) OR CMU (PER ASTM C90)	1/4" ITW TAPCON	1.75	2.50
	2	METAL STUD (STEEL MIN. 18GA, Fy = 33 KSI) ALUMINUM MIN 1/8", 6063-T5)	1/4" SMS OR SELF DRILLING SCREW	3 THREADS PENETRATION BEYOND METAL WALL	0.50



EURO-WALL, LLC
P.O. BOX 8007
NORTH PORT, FL 34290
PH: (888) 989-3876

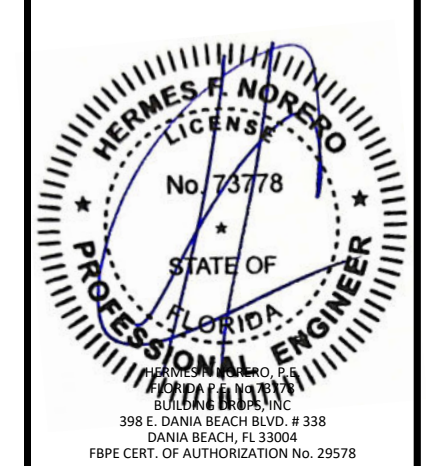
TITLE: EURO-C3 BIFOLD ALUMINUM DOOR SYSTEM (WZ3) (IMPACT)
ANCHOR DETAILS

PREPARED BY: BUILDING DROPS, INC.
1900 NE MIAMI CT UNIT 2-15
MIAMI, FL 33132
PH: (954) 399-8478
FAX: (954) 744-4738
WEB: www.buildingdrops.com



REMARKS	BY	DATE
2023 CODE CHANGE	MG	02/23
MISC. UPDATE	OL	06/23
PANIC DEVICE UPDATE	SH	09/23
JORDAN'S DOOR UPD.	FB	12/23

THE INSTALLATION DETAILS DESCRIBED HEREIN ARE GENERIC AND MAY NOT REFLECT ACTUAL CONDITIONS FOR A SPECIFIC SITE. IF SITE CONDITIONS CAUSE INSTALLATION TO DEVIATE FROM THE REQUIREMENTS DETAILED HEREIN, A LICENSED ENGINEER OR ARCHITECT SHALL PREPARE SITE SPECIFIC DOCUMENTS FOR USE WITH THIS DOCUMENT.



FL #: **FL17838**

DATE: **10.09.20**

DWG. BY: **LL** CHK. BY: **SM**

SCALE: **NTS**

DWG. #: **EWS014**

SHEET **14** OF 14