



Vista Pivot™



IMPACT & NON-IMPACT RATED
Pivot Doors



#22410
V3. 032026



An Innovative Spin on Doors



Make an architectural statement and a grand entrance with our Vista Pivot™ doors. These unique doors deliver massive style, while taking up little space, since they rotate within their own footprint. Choose from sleek, stunning aluminum or warm, rich wood clad interior finishes. Vista Pivot™ can be constructed to a height of 14' and a width of 100", providing breathtaking solutions for any commercial or residential application.

At Euro-Wall, everything we do is Superior by Design. We constantly push ourselves to provide the highest quality doors with the largest views to give you the freedom to design without limitations.



Features & Benefits

Fully Flush Thresholds

Don't get tripped up. No sills are necessary, providing a smooth, seamless entry.

Matching Fixed Units

Complement your aesthetic with available impact-rated transom and sidelight units.

Massive Panel Sizes

Enjoy the view through up to 168" tall / 100" wide panels with both impact and non-impact ratings.

Beauty & Flexibility

Customize your door with many options for muntins, simulated divided lites, mid-rails, wood and aluminum cladding.

Long-Lasting Finish

Take in the beauty for years. Our standard finish coating meets the AAMA 2605 high-performance specification, the highest quality finish available.

System Thresholds

MAXIMUM / MINIMUM SPECIFICATIONS

	IMPACT / NON-IMPACT
MAX. PANEL WEIGHT	700 lbs
MAX. PANEL HEIGHT	168"
MAX. PANEL WIDTH	100"
MIN. PANEL HEIGHT	48"
MIN. PANEL WIDTH	36"
PANEL THICKNESS	2-1/4"

Note: The Vista Pivot™ door comes in aluminum, aluminum with interior wood clad, or an interior / exterior faux woodgrain finish. The Vista Pivot™ door can be configured as either an outswing or an inswing. For installations in Florida, please see the Florida Product Approval (#24410) for usage and limitations.



**10
YEAR
LIMITED** WARRANTY

10-Year Limited Warranty

Euro-Wall warrants the products to be free from manufacturing defects for a period of 10 years.



System Components

- 1 Top Pivot Hinge
C0207
- 2 Handle Option 1
LADDER PULL & THUMB BOLT
Thumbturn: C0201
- 3 Handle Option 2
MULTIPOINT HANDLE
C0064 / C0096
- 4 Bottom Pivot Hinge
C0209

*Roller Catch: C0074



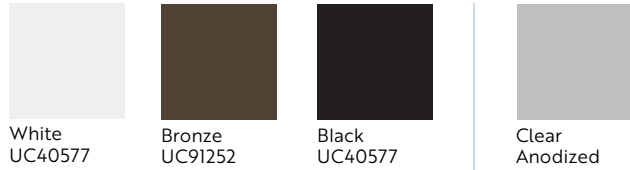
2

1

4

Finish Options

STANDARD FRAME & ALUMINUM PANEL FINISHES



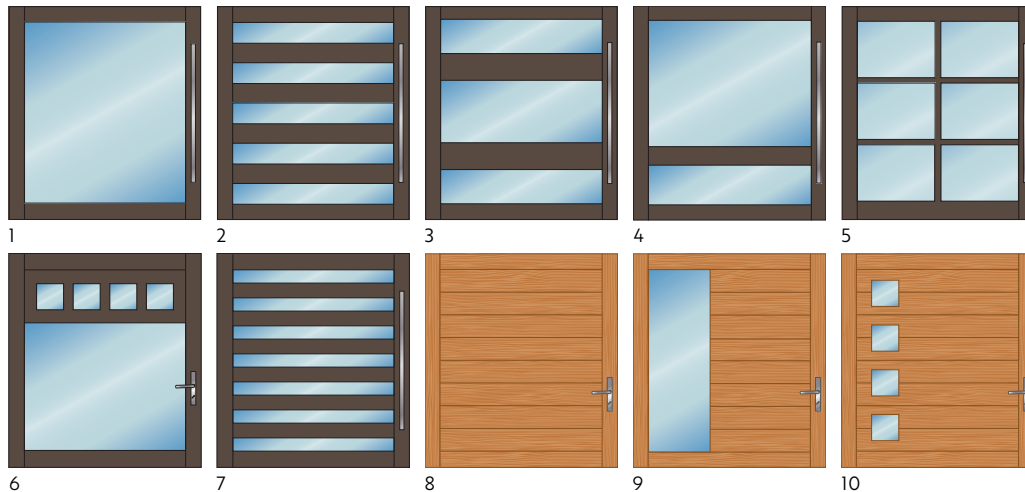
Note: Standard finish is Kynar® AAMA 2605. Additional custom powder coat or Kynar® finishes available upon request.

FAUX WOODGRAIN FINISHES



Note: A faux woodgrain finish is a powder coat with die sublimation to an AAMA 2604 finish qualification. Additional faux woodgrain options available upon request.

Door Panel Options



Note: Natural wood clad available for interior finishes. Faux woodgrain finishes available for interior & exterior use. The colors shown are an approximation of actual colors and finishes. Actual finishes may vary slightly.

STANDARD INTERIOR WOOD CLAD FINISHES



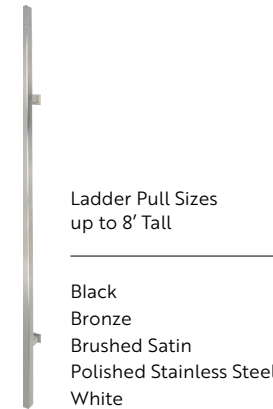
EXOTIC INTERIOR WOOD CLAD FINISHES



Note: Additional exotic wood finish options available upon request.

Hardware / Handle Finish Options

LADDER PULL HANDLE (STANDARD)

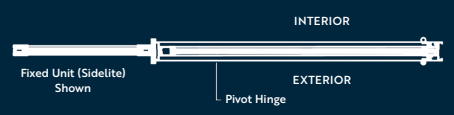


MULTIPOINT LOCK HANDLE

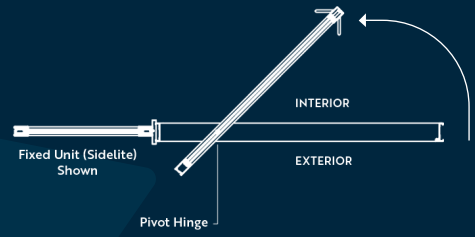




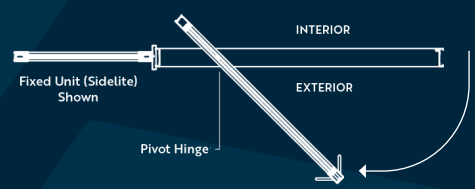
Top View - Horizontal Cross Section



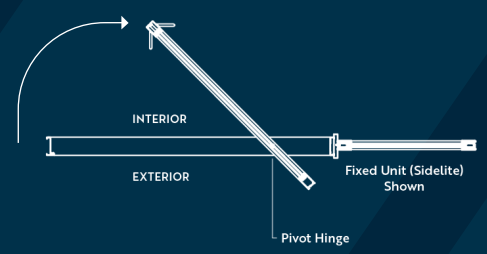
LEFT HAND INSWING



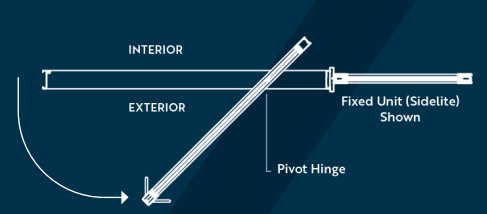
LEFT HAND OUTSWING



RIGHT HAND INSWING

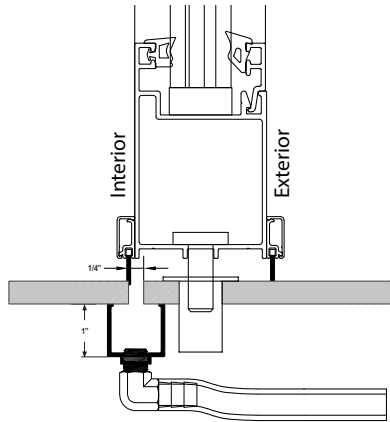


RIGHT HAND OUTSWING



Optional Drainage System

Euro-Wall offers an optional water management system that allows water to drain away from the pivot door location. .



Glazing Details

OVERALL GLASS THICKNESS 1/4" | 3/8" | 1/2" | 9/16" | 1"

We can handle most any type of glass if it meets the required thickness. *Let's talk.*

9/16" LAMINATED - IMPACT RATED

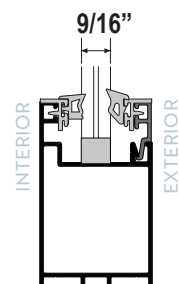
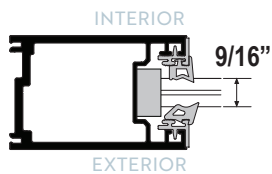
Stile

Recessed: E0036

Active (not shown): E0027

Top Bottom Rail

E0035



1" INSULATED GLASS - IMPACT RATED

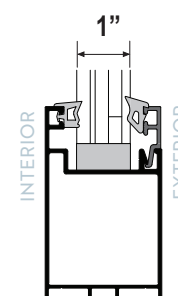
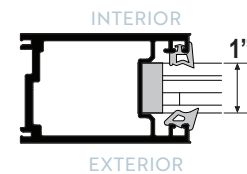
Stile

Recessed: E0036

Active (not shown): E0027

Top Bottom Rail

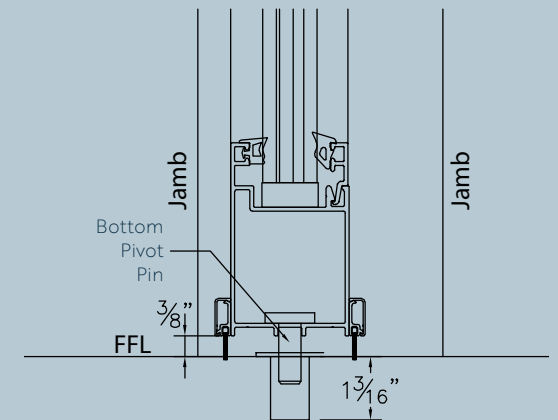
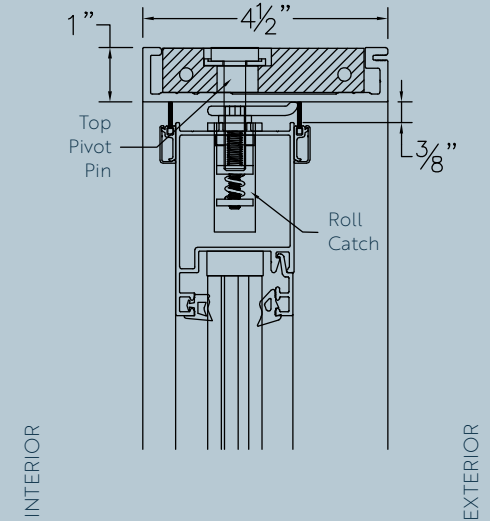
E0035



Panel Cross Section

Outswing Configuration 1" Insulated Impact Glass Shown

Header: E0045
Header Block: E0081





DESIGN PRESSURE CHARTS

HVHZ & Wind Zone 3

		Unit Width										
		60	64	68	72	76	80	84	88	92	96	100
Unit Height	72	60	60	60	60	60	57	54.55	52.5	50.77	49.29	48
	78	60	60	60	60	60	56.84	54.03	51.69	49.73	48.07	46.64
	84	60	60	60	60	60	56.84	54	51.43	49.19	47.31	45.71
	90	60	60	60	60	60	56.84	54	51.43	49.09	46.98	45.18
	96	60	60	60	60	60	56.84	54	51.43	49.09	46.96	45
	102	60	60	60	60	60	56.84	54	51.43	49.09	46.96	45
	108	60	60	60	60	60	56.84	54	51.43	49.09	46.96	
	114	60	60	60	60	60	56.84	54	51.43			
	120	60	60	60	60	60	56.84	54				
	126	60	60	60	60	60	56.84					
	132	60	60	60	60	59.87						
	138	60	60	60	60							
	144	60	60	60	60							
	150	60	60	60								
	156	60	60									
162	60	60										
168	60											

Annotations: A bracket on the right side of the table indicates the 'HVHZ' range from 72 to 144 inches. A bracket at the bottom indicates the 'WIND ZONE 3' range for unit widths 60, 64, and 68 inches.

Test Performance

IMPACT

Air Infiltration: ASTM E283-04

Water Infiltration: ASTM E331-00

Wind Load: TAS 202-94

Large Missile Impact: TAS 201-94

Cyclic Load: TAS 203-94

Forced Entry: AAMA 1304-18

Non-Impact

		Unit Width										
		60	64	68	72	76	80	84	88	92	96	100
Unit Height	72	60	60	60	60	60	60	60	60	60	60	60
	78	60	60	60	60	60	60	60	60	60	60	60
	84	60	60	60	60	60	60	60	60	60	60	60
	90	60	60	60	60	60	60	60	60	60	60	60
	96	60	60	60	60	60	60	60	60	60	60	60
	102	60	60	60	60	56.8	55.4	55.4	55.4	55.4	55.4	55.4
	108	60	60	60	60	56.8	54	51.4	51.4	51.4	51.4	
	114	60	60	60	60	56.8	54	51.4	49.1			
	120	60	60	60	60	56.8	54	51.4				
	126	60	60	60	60	56.8	54					
	132	60	60	60	60	56.8						
	138	60	60	60	60							
	144	60	60	60	60							
	150	60	60	60								
	156	60	60									
162	60	60										
168	60											



#22410



NEED *assistance?*

If you have questions about Vista Pivot™ that have you spinning, don't worry. Our FOR YOU Crew™ is always ready to clear things up with friendly, one-on-one support.





EURO-WALL® 

euro-wall.com

American
CRAFTSMANSHIP

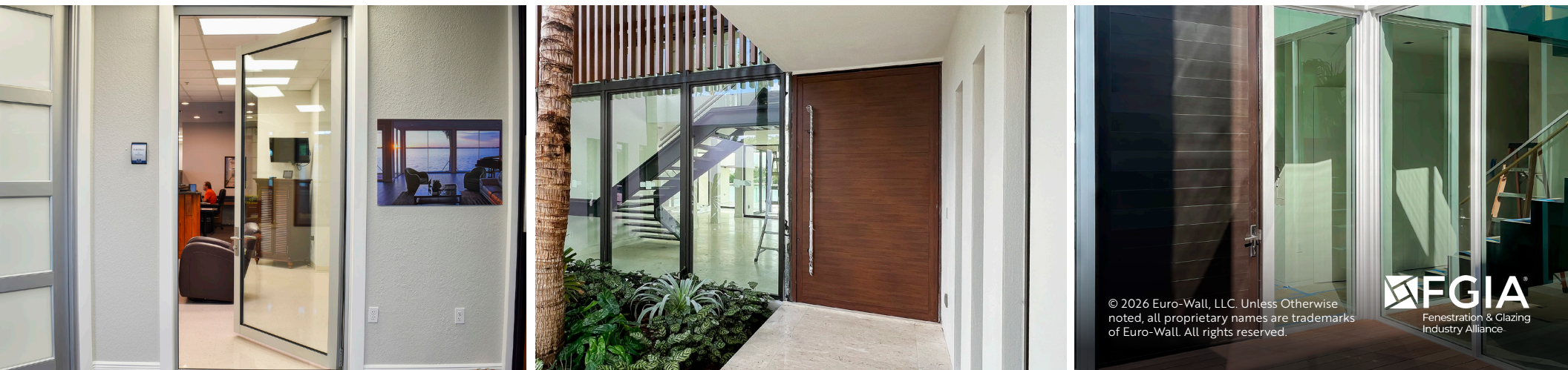
MANUFACTURING & SHOWROOM

2200 Murphy Ct.
North Port, FL 34289
888.989.EURO (3876)

SHOWROOM

1211 Stirling Rd., Unit 102,
Dania Beach, FL 33004
941.979.5316

EURO-WALL UNLOCKS *brehtaking perspectives*
THROUGH THE *largest, strongest* DOOR SYSTEMS
WITH THE MOST DESIGN OPTIONS – ALL BACKED
BY *enjoyable, personal* SUPPORT – FOR A *superior*
experience FROM OPEN TO CLOSE.



© 2026 Euro-Wall, LLC. Unless Otherwise noted, all proprietary names are trademarks of Euro-Wall. All rights reserved.

FGIA
Fenestration & Glazing
Industry Alliance