

VISTA DS™ IMPACT RATED



The Vista DS™ fixed window system is engineered to beautifully complement our innovative door systems. Designed from the ground up based on feedback from our popular Vista Wall product, Vista DS™ offers some of the thinnest profiles for either fixed or operable fenestration products (just 1 1/4") – providing a sleek, modern appearance. It also boasts expansive height and width dimensions, maximizing the glass-to-frame ratio that enhances natural light and delivers unobstructed views.

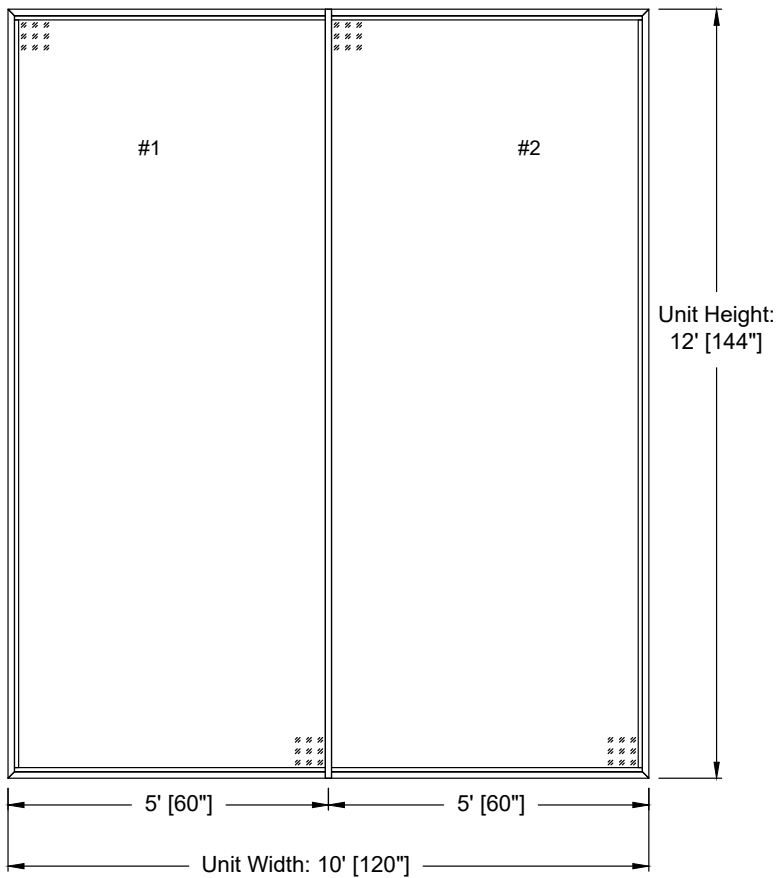
FL46965



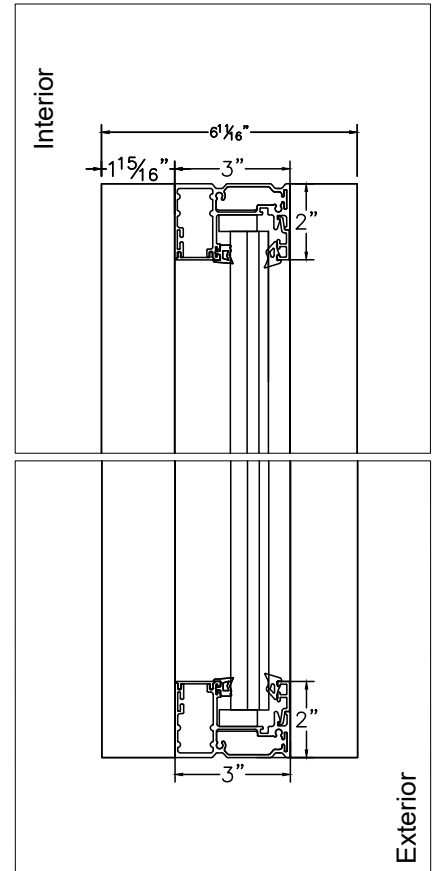
PANEL MINIMUM / MAXIMUM

Min Panel Width:	18"	Min Panel Height:	18"
Max Panel Width:	108"	Max Panel Height:	168"

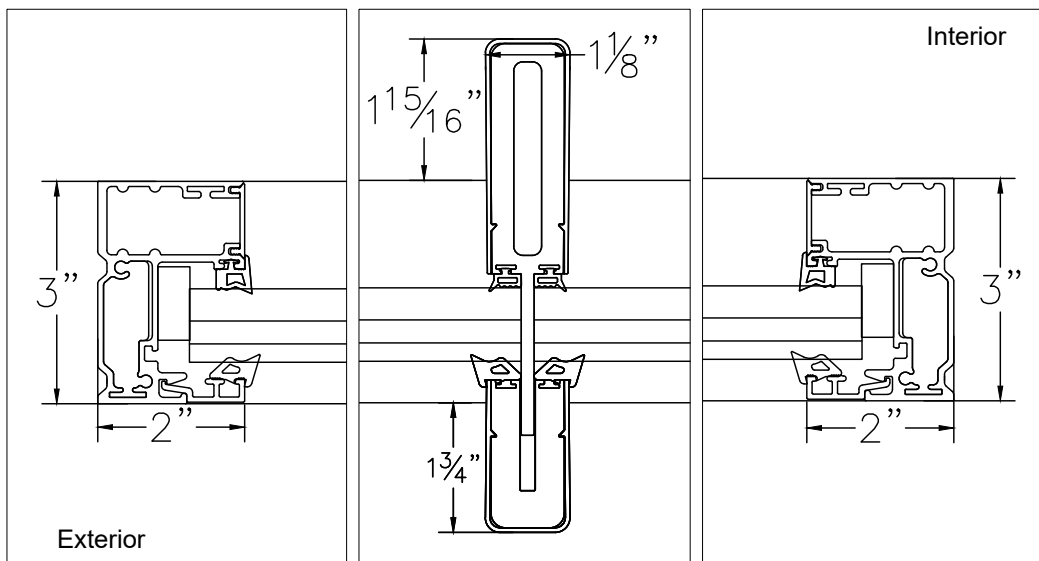
OVERVIEW DIAGRAM



Exterior Front Elevation

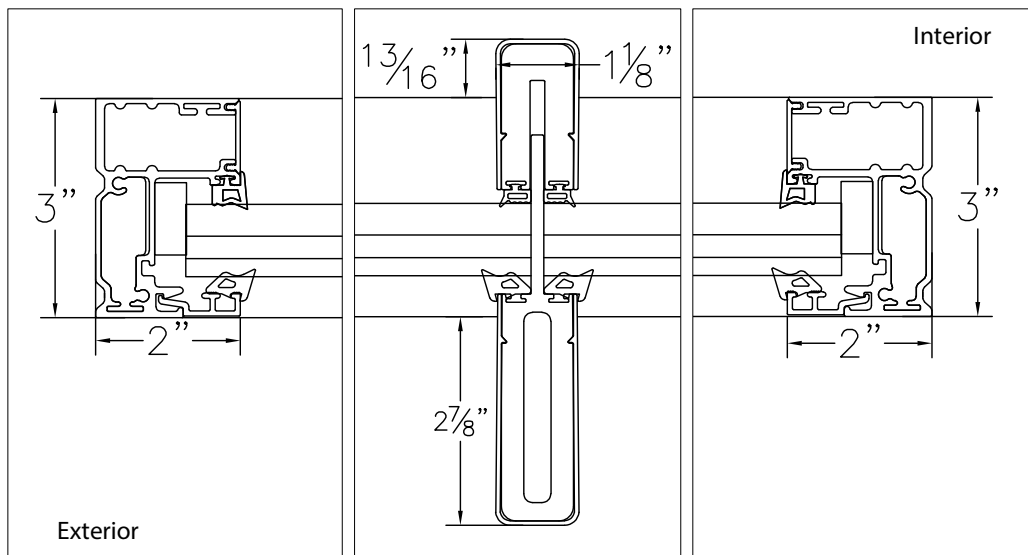


Vertical Cross Section

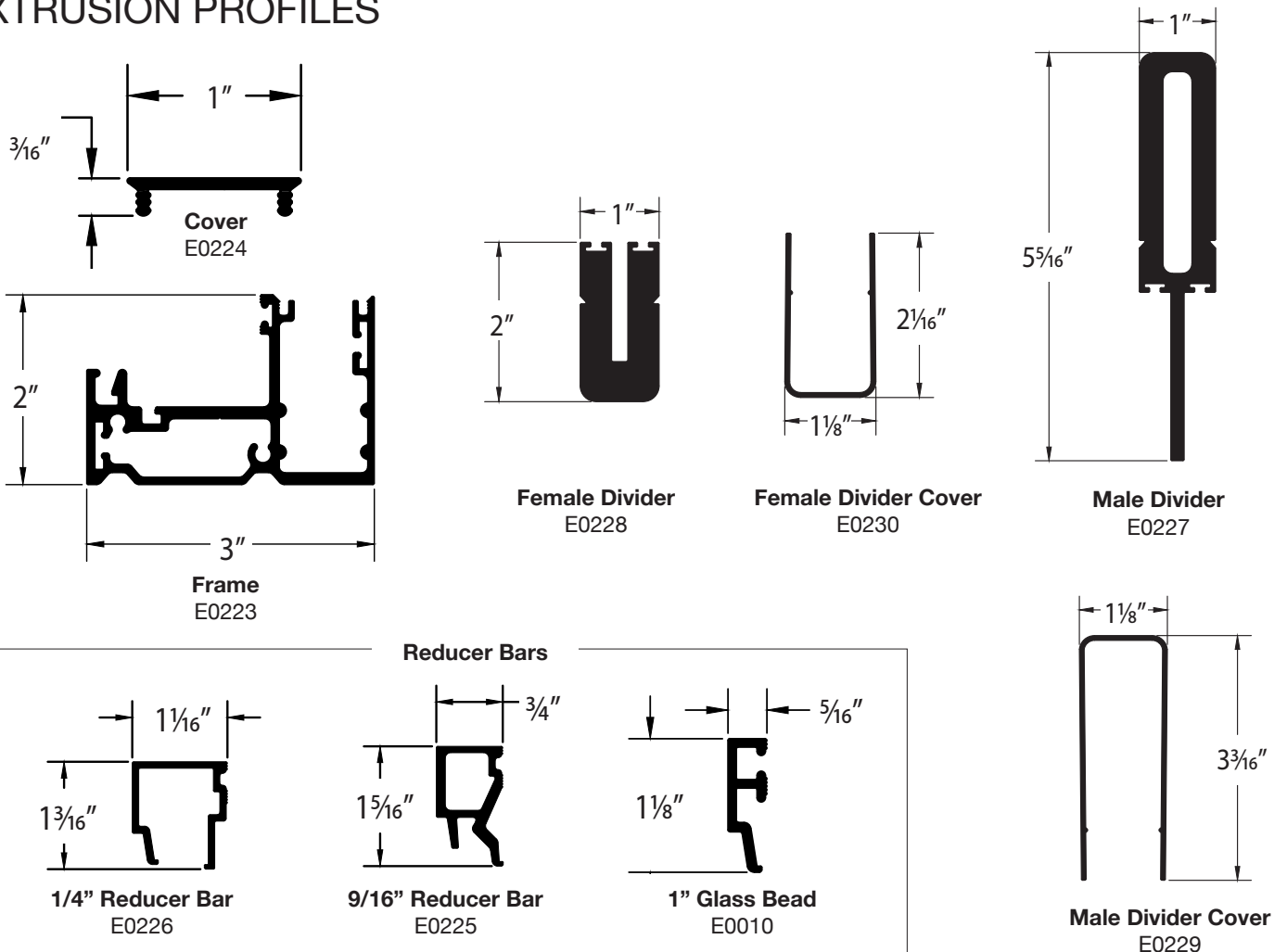


**Top Down Cross Section
Exterior Assembly**
(interior assembly on next page)

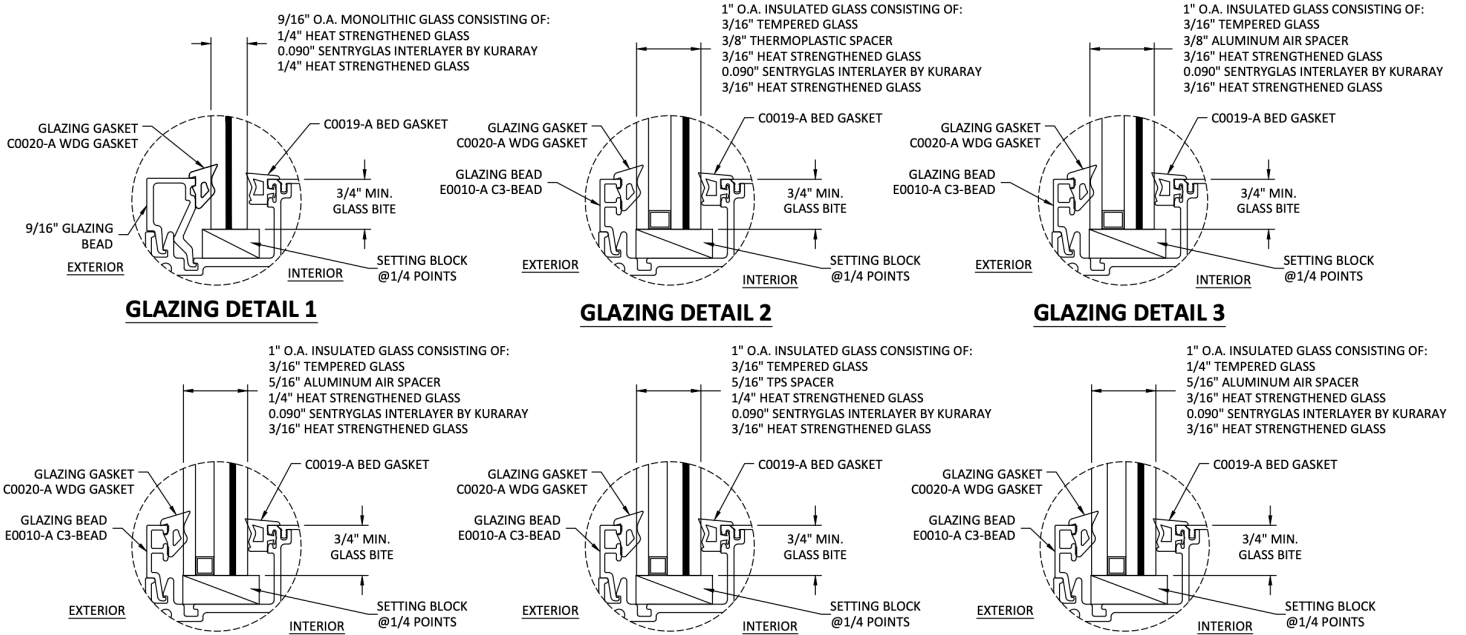
**Top Down Cross Section
Interior Assembly**



EXTRUSION PROFILES



GLAZING DETAILS



FINISH OPTIONS

Standard Finishes



White

Clear Anodized

Bronze

Black

Wood clad veneer option shown



Standard Wood Finishes



Mahogany / Sapele

White Oak

Exotic Wood Finishes



Ash

Birch

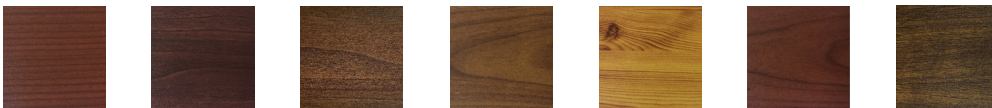
Curly Maple

Red Oak

Walnut

Zebrawood

Faux Wood Grain Finishes



Chesnut Cherry

Cinnamon Red

Dark Walnut

Hazelnut Brown

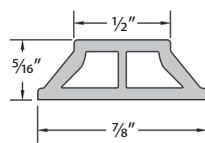
Honey Pine

Mahogany Red

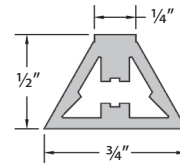
Walnut Brown

NOTE: All Interior wood clad veneer products should be properly finished or sealed within 36 hours of delivery or stored in a climate controlled space until it can be properly finished or sealed.

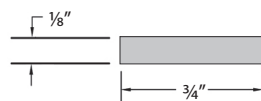
GRID OPTIONS



7/8" OGEE MUNTIN
E0072



3/4" RAISED MUNTIN
E0070



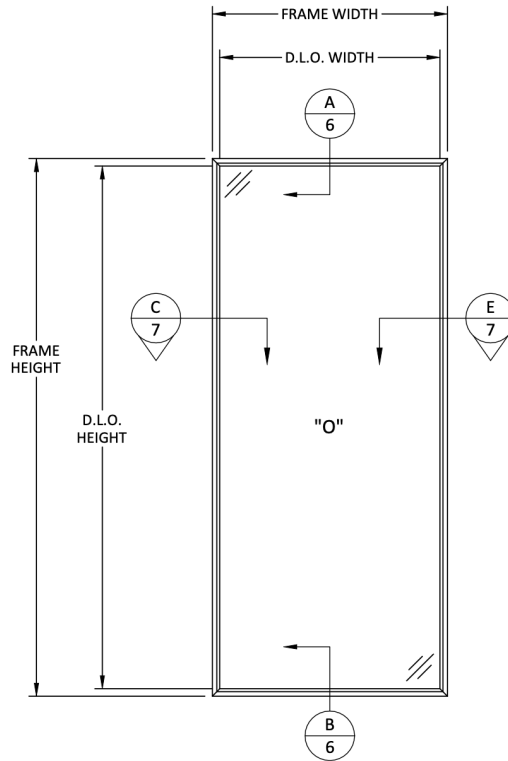
3/4" FLAT MUNTIN
E0068

NOTE: The 3/4" flat muntin is primarily used for sliding doors, however if your project has folding and sliding doors this muntin will be used to make them all match.

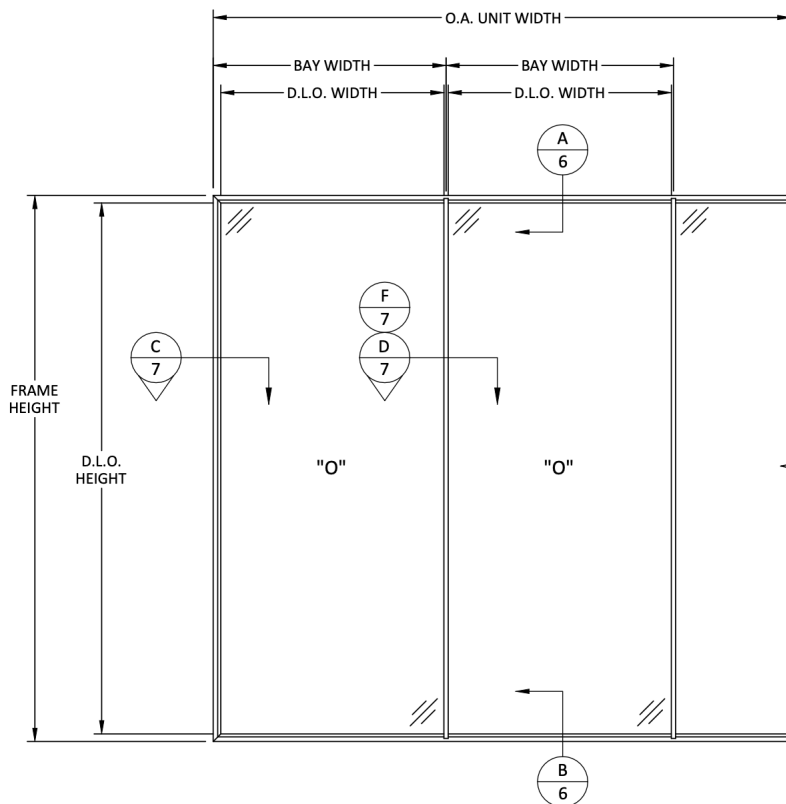
NOTE: Additional muntin, kickplate, and midrail options available upon request.

CONFIGURATIONS

SINGLE UNIT



MULTIPLE UNITS



DESIGN PRESSURE CHARTS

DESIGN PRESSURE CHART (SINGLE UNIT)

HVHZ, WZ3, & Non-Impact

		Panel Width												
		36	42	48	54	60	66	72	78	84	90	96	102	108
Panel Height	78	70	70	70	70	70	63.6	58.3	53.8	53.8	53.8	53.8	53.8	53.8
	84	70	70	70	70	70	63.6	58.3	53.8	50	50	50	50	
	90	70	70	70	70	70	63.6	58.3	53.8	50	46.7	46.7		
	96	70	70	70	70	70	63.6	58.3	53.8	50	46.7			
	102	70	70	70	70	70	63.6	58.3	53.8	50				
	108	70	70	70	70	70	63.6	58.3	53.8					
	114	70	70	70	70	70	63.6	58.3						
	120	70	70	70	70	70	63.6	58.3						
	126	70	70	70	70	70	63.6							
	132	70	70	70	70	70								
	138	70	70	70	70	70								
	144	70	70	70	70	70								
	150	70	70	70	70									
	156	70	70	70	70									
	162	70	70	70										
168	70	70	70											

DESIGN PRESSURE CHART (MULTIPLE UNITS)

HVHZ

		Panel Width												
		36	42	48	54	60	66	72	78	84	90	96	102	108
Panel Height	78	70	70	70	70	70	63.6	58.3	53.8	53.8	53.8	53.8	53.8	53.8
	84	70	70	70	70	70	63.6	58.3	53.8	50	50	50	50	
	90	70	70	70	70	70	63.6	58.3	53.8	50	46.7	46.7		
	96	70	70	70	70	70	63.6	58.3	53.8	50	46.7			
	102	70	70	70	70	70	63.6	58.3	53.8	50				
	108	70	70	70	70	70	63.6	58.3	53.8					
	114	70	70	70	70	70	63.6	58.3						
	120	70	70	70	70	70	63.6	58.3						
	126	70	70	70	70	70	63.6							
	132	70	70	70	70	70								
	138	70	70	70	70	70								
	144	70	70	70	70	70								

WZ3, & Non-Impact

		Panel Width												
		36	42	48	54	60	66	72	78	84	90	96	102	108
Panel Height	78	70	70	70	70	70	63.6	58.3	53.8	53.8	53.8	53.8	53.8	53.8
	84	70	70	70	70	70	63.6	58.3	53.8	50	50	50	50	
	90	70	70	70	70	70	63.6	58.3	53.8	50	46.7	46.7		
	96	70	70	70	70	70	63.6	58.3	53.8	50	46.7			
	102	70	70	70	70	70	63.6	58.3	53.8	50				
	108	70	70	70	70	70	63.6	58.3	53.8					
	114	70	70	70	70	70	63.6	58.3						
	120	70	70	70	70	70	63.6	58.3						
	126	70	70	70	70	70	63.6							
	132	70	70	70	70	70								
	138	70	70	70	70	70								
	144	70	70	70	70	70								
	150	70	70	70	67.6									
	156	70	70	66.6	59.8									
	162	70	67.2	59.3										
168	69.7	60.2	53.1											

TEST PERFORMANCE RESULTS

- Approved for use in Miami-Dade HVHZ Zone
- Florida Building Code Approved Product Approval FL 46965
- Tested for Thermal Requirements
- Air Infiltration: ASTM E283-19
- Water Infiltration: ASTM E331-00(23)
- Wind Load: TAS 202-94
- Large Missile Impact: TAS 201-94
- Cyclic Load: TAS 203-94



EURO-WALL 10 YEAR WARRANTY

Euro-Wall warrants the products to be free from manufacturing defects for a period of 10 years from the date of purchase.

888.989.EURO (3876)

www.euro-wall.com

MANUFACTURING

2200 Murphy Court
North Port, Florida 34289
888.989.3876 • 941.979.5316



SHOWROOM

1211 Stirling Road, Unit 102,
Dania Beach, Florida 33004
954.610.2572

Proud Member of the American Architectural Manufacturers Association.

