

c:\users\sebastianherrerros\building drops, inc\building drops, inc\projects\euro-wall, llc\fbcc-24-0702 - fbc submittal - c5 casement window\dwg\ews040.dwg 10/21/2024 12:00 PM

EURO-WALL, LLC

EURO C5 OUTSWING CASEMENT WINDOW (WZ3) (IMPACT)



EURO-WALL, LLC
P.O. BOX 8007
NORTH PORT, FL 34290
PH: (888) 989-3876

GENERAL NOTES:

1. THE PRODUCT SHOWN HEREIN IS DESIGNED AND MANUFACTURED TO COMPLY WITH THE CURRENT FLORIDA BUILDING CODE (FBC), **EXCLUDING** HVHZ AND HAS BEEN EVALUATED ACCORDING TO THE FOLLOWING:
 - ASTM E283-19
 - ASTM E331-00 (16)
 - TAS 201-94
 - TAS 202-94
 - TAS 203-94
2. ADEQUACY OF THE EXISTING STRUCTURAL CONCRETE/MASONRY, 2X AND METAL STUD FRAMING AS A MAIN WIND FORCE RESISTING SYSTEM CAPABLE OF WITHSTANDING AND TRANSFERRING APPLIED PRODUCT LOADS TO THE FOUNDATION IS THE RESPONSIBILITY OF THE ENGINEER OR ARCHITECT OF RECORD FOR THE PROJECT OF INSTALLATION.
3. 1X AND 2X BUCKS (WHEN USED) SHALL BE DESIGNED AND ANCHORED TO PROPERLY TRANSFER ALL LOADS TO THE STRUCTURE. BUCK DESIGN AND INSTALLATION IS THE RESPONSIBILITY OF THE ENGINEER OR ARCHITECT OF RECORD FOR THE PROJECT OF INSTALLATION.
4. THE INSTALLATION DETAILS DESCRIBED HEREIN ARE GENERIC AND MAY NOT REFLECT ACTUAL CONDITIONS FOR A SPECIFIC SITE. IF SITE CONDITIONS CAUSE INSTALLATION TO DEVIATE FROM THE REQUIREMENTS DETAILED HEREIN, A LICENSED ENGINEER OR ARCHITECT SHALL PREPARE SITE SPECIFIC DOCUMENTS FOR USE WITH THIS DOCUMENT.
5. APPROVED IMPACT PROTECTIVE SYSTEM **IS NOT REQUIRED** TO PROTECT THIS PRODUCT IN AREAS REQUIRING IMPACT RESISTANCE IN WIND ZONE 3 OR LESS.
6. APPROVED IMPACT PROTECTIVE SYSTEM **IS REQUIRED** TO PROTECT THIS PRODUCT IN AREAS REQUIRING IMPACT RESISTANCE IN WIND ZONE 4.
7. FRAME MATERIAL: ALUMINUM 6063-T5.
8. GLASS MEETS THE REQUIREMENTS OF ASTM E1300. SEE SHEET 2 FOR GLAZING DETAILS.

TABLE OF CONTENTS	
SHEET	SHEET DESCRIPTION
1	GENERAL NOTES
2	GLAZING DETAILS
3	SINGLE ELEVATION AND DESIGN PRESSURE TABLE
4	MULLED ELEVATION AND DESIGN PRESSURE TABLE
5	ANCHOR LAYOUTS
6	VERTICAL SECTION
7	HORIZONTAL SECTIONS
8	INSTALLATION DETAILS AND ANCHOR SCHEDULE

UNIT SIZE	DESIGN PRESSURE	MISSILE IMPACT RATING
SEE SHEETS 3 & 4	SEE SHEETS 3 & 4	LARGE & SMALL MISSILE IMPACT

NOTE: UNITS ARE RATED FOR WATER INFILTRATION FOR A WATER TEST PRESSURE OF 12 PSF.

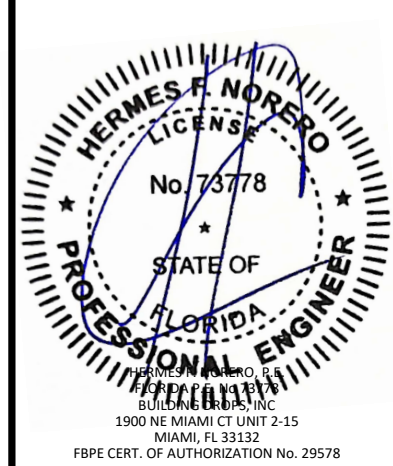
TITLE: EURO C5 OUTSWING CASEMENT WINDOW (WZ3) (IMPACT)

GENERAL NOTES

PREPARED BY: BUILDING DROPS, INC.
1900 NE MIAMI CT UNIT 2-15
MIAMI, FL 33132
PH: (954) 399-8478
FAX: (954) 744-4738
WEB: www.buildingdrops.com

REMARKS	BY	DATE

THE INSTALLATION DETAILS DESCRIBED HEREIN ARE GENERIC AND MAY NOT REFLECT ACTUAL CONDITIONS FOR A SPECIFIC SITE. IF SITE CONDITIONS CAUSE INSTALLATION TO DEVIATE FROM THE REQUIREMENTS DETAILED HEREIN, A LICENSED ENGINEER OR ARCHITECT SHALL PREPARE SITE SPECIFIC DOCUMENTS FOR USE WITH THIS DOCUMENT.



FL #: **FL47078**

DATE: **10.15.24**

DWG. BY: SH	CHK. BY: HFN
--------------------	---------------------

SCALE: **NTS**

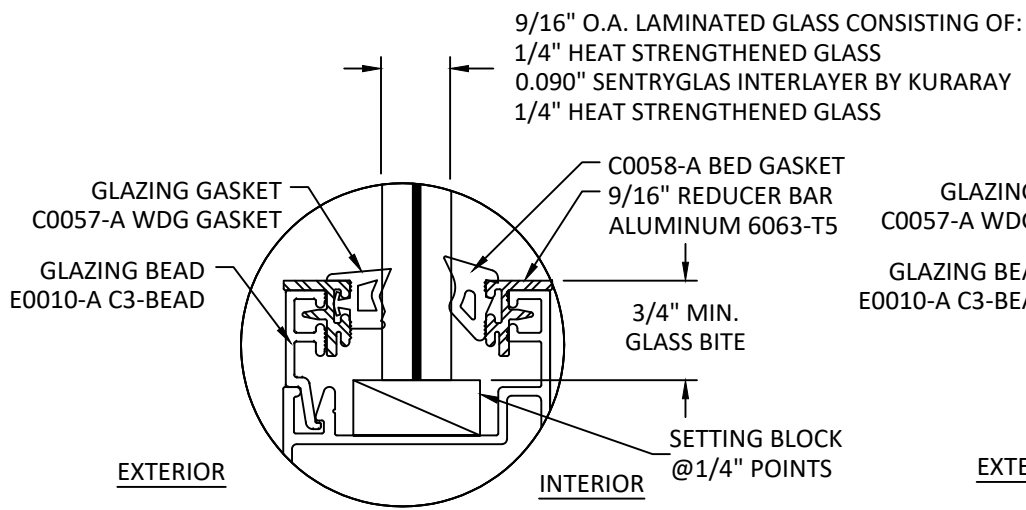
DWG. #: **EWS040**

SHEET

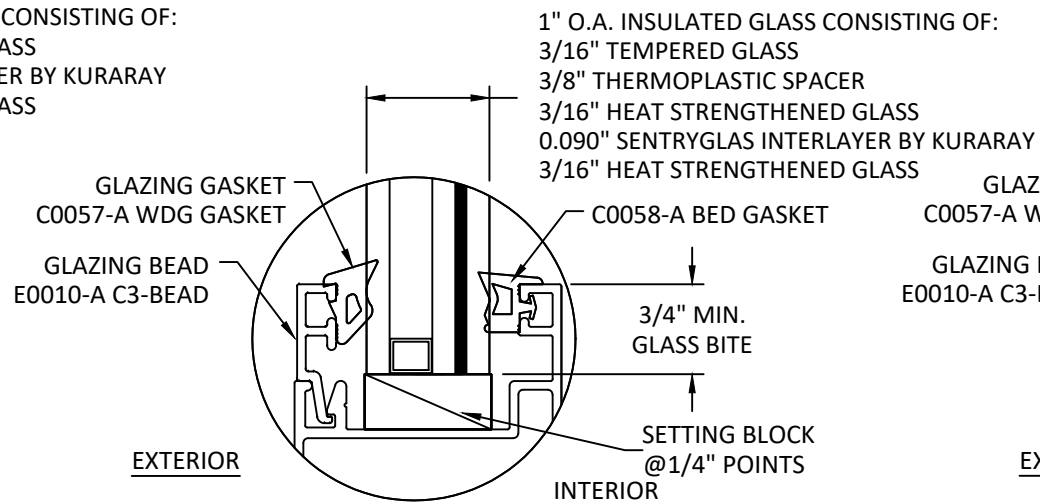
1

OF 8

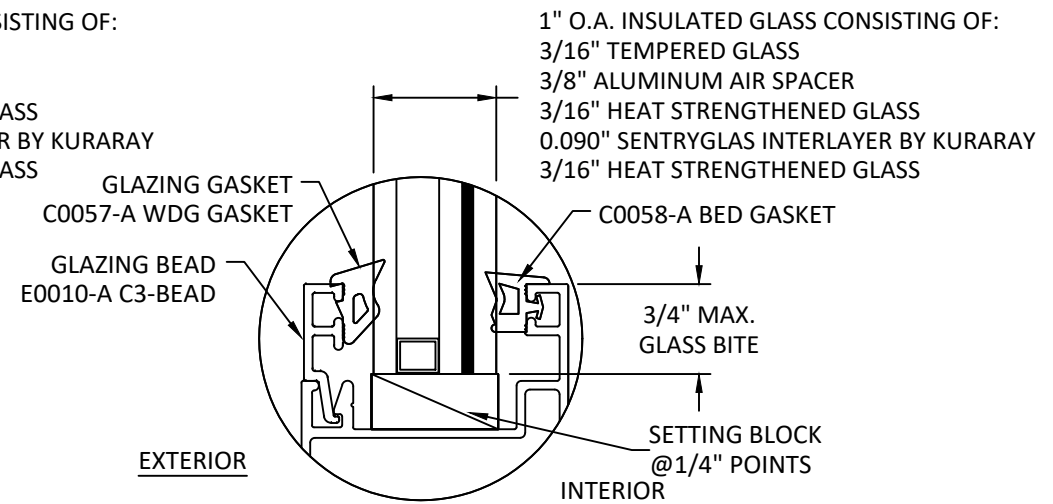
10/21/2024 12:00 PM
 c:\users\sebastianhereros\building drops, inc\building drops, inc\projects\euro-wall, llc\fbcc-24-0702 - fbc submittal - c5 casement window\dwgs\ews040.dwg



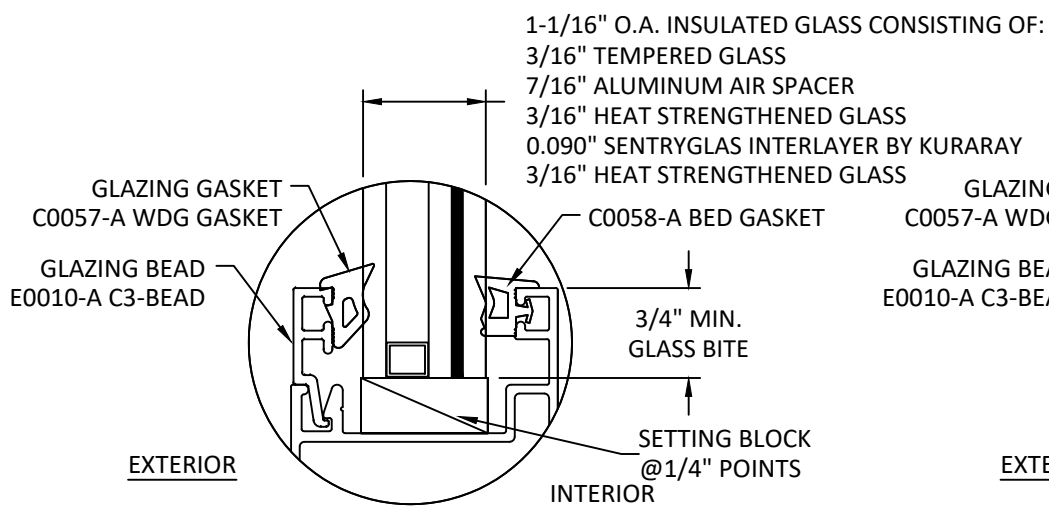
GLAZING DETAIL 1



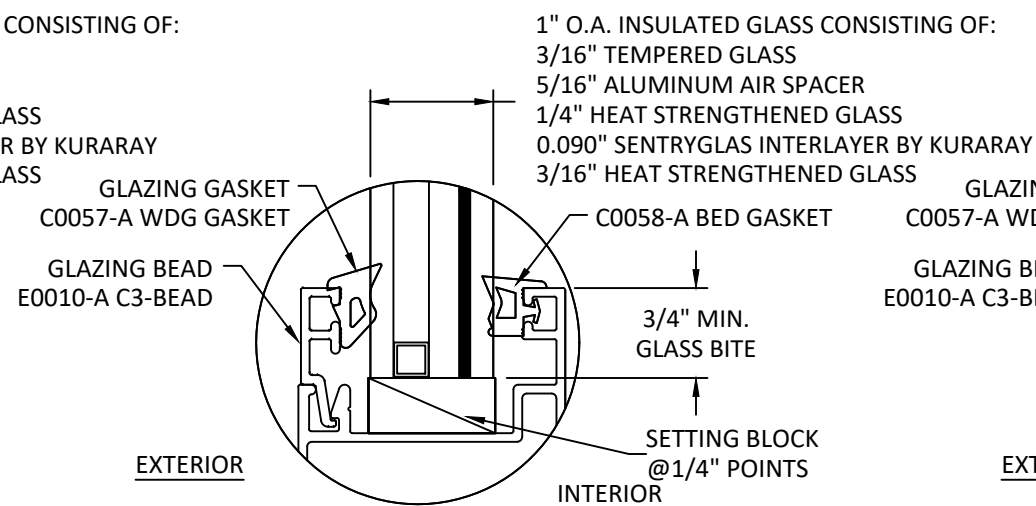
GLAZING DETAIL 2



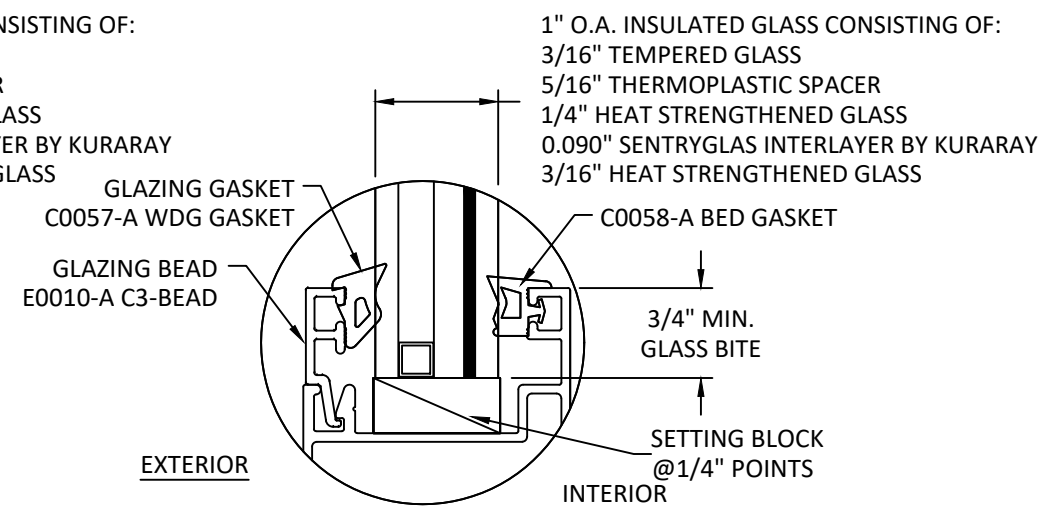
GLAZING DETAIL 3



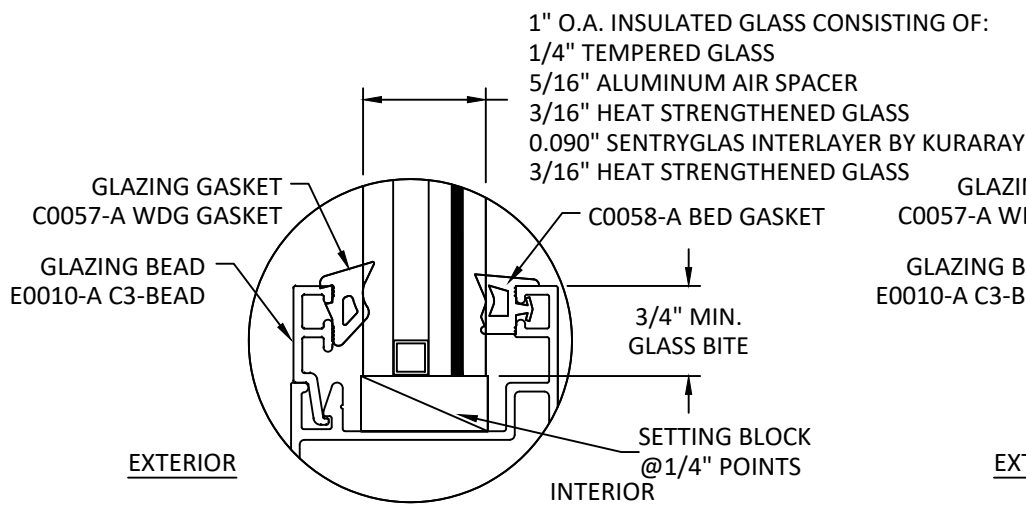
GLAZING DETAIL 4



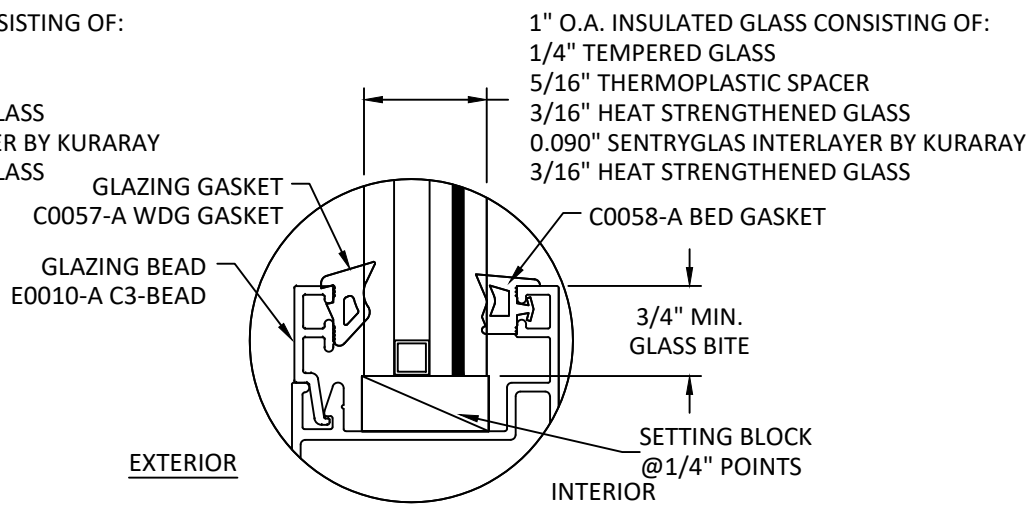
GLAZING DETAIL 5



GLAZING DETAIL 6



GLAZING DETAIL 7



GLAZING DETAIL 8

- GLAZING NOTES:**
- GLASS TYPE COMPLIES WITH ASTM E1300 REQUIREMENTS AS WELL AS APPLICABLE SAFETY GLAZING REQUIREMENTS PER THE FBC. THICKNESS, TEMPER, AND SAFETY GLAZING REQUIREMENTS SHALL BE REVIEWED ON A SITE SPECIFIC BASIS.
 - SETTING BLOCK DUROMETER HARDNESS OF 70-90 (SHORE A) AS REFERENCED IN FBC CHAPTER 24
 - SETTING BLOCKS TO BE LOCATED AT 1/4 SPAN LENGTH FOR GLASS WIDER THAN 36" AS PER FBC CHAPTER 24.
 - D.L.O AND DESIGN PRESSURES MAY NOT EXCEED MAX VALUES IN ELEVATIONS.

TITLE: EURO C5 OUTSWING CASEMENT WINDOW (WZ3) (IMPACT)

GLAZING DETAILS

PREPARED BY: BUILDING DROPS, INC.

1900 NE MIAMI CT UNIT 2-15
 MIAMI, FL 33132
 PH: (954) 399-8478
 FAX: (954) 444-4738
 WEB: www.buildingdrops.com



REMARKS	BY	DATE

THE INSTALLATION DETAILS DESCRIBED HEREIN ARE GENERIC AND MAY NOT REFLECT ACTUAL CONDITIONS FOR A SPECIFIC SITE. IF SITE CONDITIONS CAUSE INSTALLATION TO DEVIATE FROM THE REQUIREMENTS DETAILED HEREIN, A LICENSED ENGINEER OR ARCHITECT SHALL PREPARE SITE SPECIFIC DOCUMENTS FOR USE WITH THIS DOCUMENT.



FL #: **FL47078**

DATE: **10.15.24**

DWG. BY: **SH** CHK. BY: **HFN**

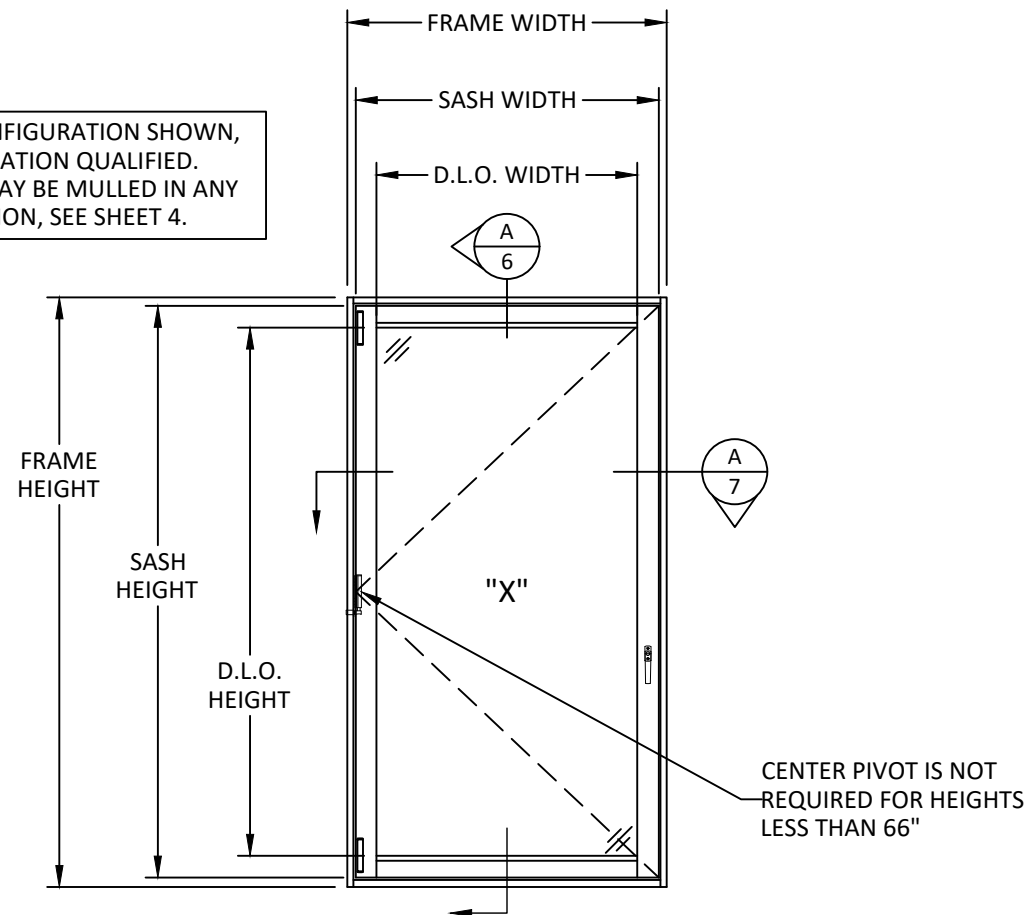
SCALE: **NTS**

DWG. #: **EWS040**

SHEET

c:\users\sebastianherrerros\building drops, inc\building drops, inc\projects\euro-wall, llc\fb-24-0702 - fbc submittal - c5 casement window\dwgs\ews040.dwg 10/21/2024 12:00 PM

NOTE: 1L CONFIGURATION SHOWN, 1R CONFIGURATION QUALIFIED. WINDOWS MAY BE MULLED IN ANY CONFIGURATION, SEE SHEET 4.



ELEVATION
SINGLE OUTSWING CASEMENT

SASH HEIGHT = FRAME HEIGHT - 2.897"
 SASH WIDTH = FRAME WIDTH - 2.75"
 D.L.O. HEIGHT = FRAME HEIGHT - 10.0"
 D.L.O. WIDTH = FRAME WIDTH - 9.50"

SINGLE CASEMENT WINDOW DESIGN PRESSURE TABLE (PSF)													
FRAME HEIGHT (IN.)	FRAME WIDTH (IN.)												
	28	34	40	46	52	58	64	70	76	82	88	94	
48	80.0	80.0	80.0	80.0	80.0	80.0	80.0	80.0	80.0	80.0	80.0	80.0	80.0
54	80.0	80.0	80.0	80.0	80.0	80.0	77.0	77.0	77.0	77.0	77.0	77.0	-
60	80.0	80.0	80.0	80.0	80.0	80.0	71.7	69.3	69.3	69.3	69.3	-	-
66	80.0	80.0	80.0	80.0	80.0	80.0	71.7	65.0	63.0	-	-	-	-
72	80.0	80.0	80.0	80.0	80.0	80.0	71.7	65.0	-	-	-	-	-
78	80.0	80.0	80.0	80.0	80.0	80.0	71.7	65.0	-	-	-	-	-
84	80.0	80.0	80.0	80.0	80.0	80.0	71.7	-	-	-	-	-	-
90	80.0	80.0	80.0	80.0	80.0	80.0	-	-	-	-	-	-	-
96	80.0	80.0	80.0	80.0	80.0	80.0	-	-	-	-	-	-	-
102	80.0	80.0	80.0	74.7	-	-	-	-	-	-	-	-	-
108	80.0	80.0	71.9	62.8	-	-	-	-	-	-	-	-	-
114	80.0	71.6	61.0	-	-	-	-	-	-	-	-	-	-
120	74.3	61.3	52.3	-	-	-	-	-	-	-	-	-	-

TITLE: EURO C5 OUTSWING CASEMENT WINDOW (WZ3) (IMPACT)

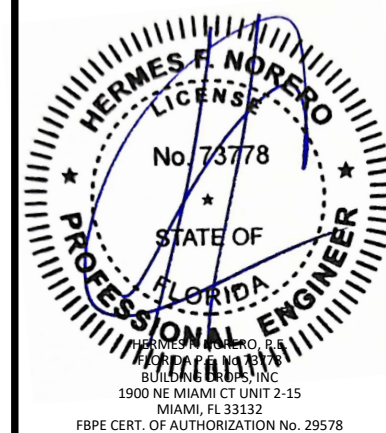
SINGLE ELEVATION AND DESIGN PRESSURE TABLE

PREPARED BY: BUILDING DROPS, INC.
 1900 NE MIAMI CT UNIT 2-15
 MIAMI, FL 33132
 PH: (954) 399-8478
 FAX: (954) 744-4738
 WEB: www.buildingdrops.com



REMARKS	BY	DATE

THE INSTALLATION DETAILS DESCRIBED HEREIN ARE GENERIC AND MAY NOT REFLECT ACTUAL CONDITIONS FOR A SPECIFIC SITE. IF SITE CONDITIONS CAUSE INSTALLATION TO DEVIATE FROM THE REQUIREMENTS DETAILED HEREIN, A LICENSED ENGINEER OR ARCHITECT SHALL PREPARE SITE SPECIFIC DOCUMENTS FOR USE WITH THIS DOCUMENT.



FL #: **FL47078**

DATE: **10.15.24**

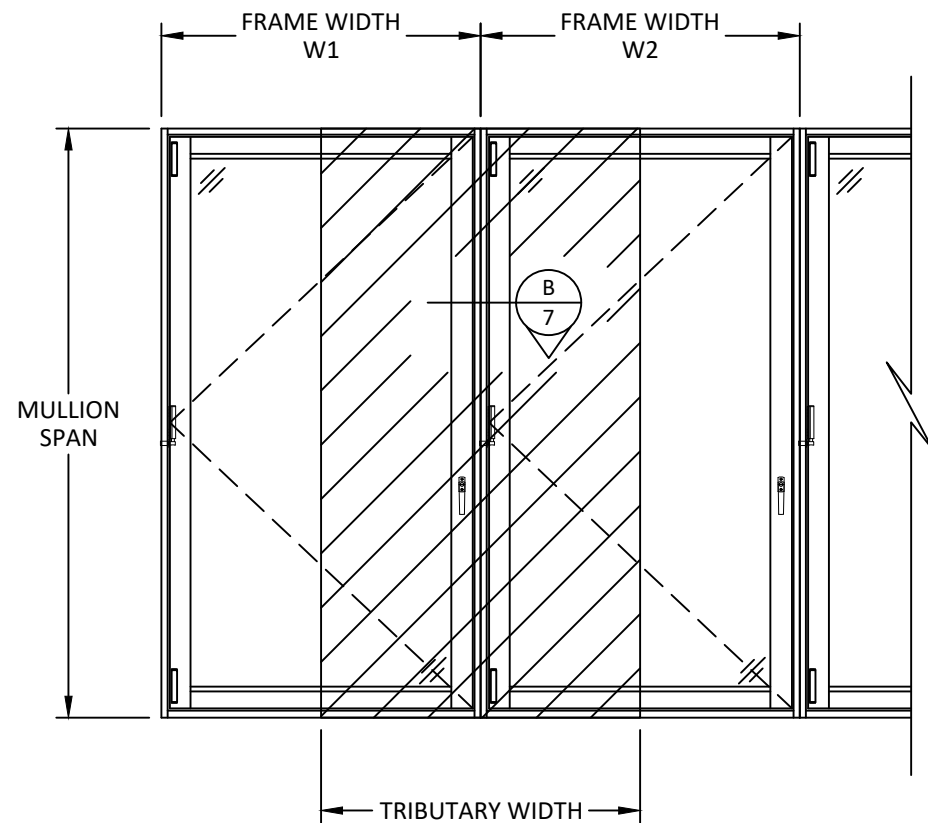
DWG. BY: **SH** CHK. BY: **HFN**

SCALE: **NTS**

DWG. #: **EWS040**

SHEET
3
OF 8

c:\users\sebastianherrerros\building_drops_inc\building_drops_inc\projects\euro-wall_llc\fac-24-0702 - fbc submittal - c5 casement window\dwg\ews040.dwg 10/21/2024 12:00 PM



ELEVATION
MULLED CONFIGURATION

TRIBUTARY WIDTH = (W1+W2)/2

MULLION DESIGN PRESSURE TABLE (PSF)													
MULLION SPAN (IN.)	TRIBUTARY WIDTH (IN.)												
	28	34	40	46	52	58	64	70	76	82	88	94	
48	80.0	80.0	80.0	80.0	80.0	80.0	80.0	80.0	80.0	80.0	80.0	80.0	80.0
54	80.0	80.0	80.0	80.0	80.0	80.0	80.0	80.0	80.0	80.0	80.0	80.0	-
60	80.0	80.0	80.0	80.0	80.0	80.0	80.0	80.0	80.0	80.0	80.0	-	-
66	80.0	80.0	80.0	80.0	80.0	80.0	80.0	80.0	80.0	-	-	-	-
72	80.0	80.0	80.0	80.0	80.0	80.0	80.0	80.0	-	-	-	-	-
78	80.0	80.0	80.0	80.0	80.0	80.0	80.0	80.0	-	-	-	-	-
84	80.0	80.0	80.0	80.0	80.0	80.0	80.0	-	-	-	-	-	-
90	80.0	80.0	80.0	80.0	80.0	80.0	-	-	-	-	-	-	-
96	80.0	80.0	80.0	80.0	80.0	80.0	-	-	-	-	-	-	-
102	80.0	80.0	80.0	72.6	-	-	-	-	-	-	-	-	-
108	80.0	79.3	68.4	60.6	-	-	-	-	-	-	-	-	-
114	80.0	67.1	57.8	-	-	-	-	-	-	-	-	-	-
120	68.9	57.3	49.4	-	-	-	-	-	-	-	-	-	-

NOTE: LESSER DESIGN PRESSURE OF THIS TABLE AND THE TABLE ON SHEET 3 SHALL APPLY TO THE MULLED CONFIGURATION.

EURO-WALL, LLC
P.O. BOX 8007
NORTH PORT, FL 34290
PH: (888) 989-3876

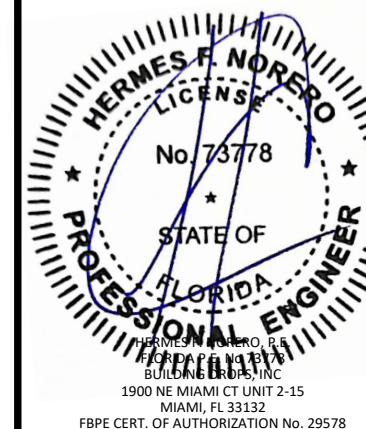
TITLE: EURO C5 OUTSWING
CASEMENT WINDOW
(WZ3) (IMPACT)
MULLED ELEVATION AND
DESIGN PRESSURE TABLE

PREPARED BY:
BUILDING DROPS, INC.
1900 NE MIAMI CT UNIT 2-15
MIAMI, FL 33132
PH: (954) 399-8478
FAX: (954) 744-4738
WEB: www.buildingdrops.com



REMARKS	BY	DATE

THE INSTALLATION DETAILS DESCRIBED HEREIN ARE GENERIC AND MAY NOT REFLECT ACTUAL CONDITIONS FOR A SPECIFIC SITE. IF SITE CONDITIONS CAUSE INSTALLATION TO DEVIATE FROM THE REQUIREMENTS DETAILED HEREIN, A LICENSED ENGINEER OR ARCHITECT SHALL PREPARE SITE SPECIFIC DOCUMENTS FOR USE WITH THIS DOCUMENT.



FL #: **FL47078**

DATE: **10.15.24**

DWG. BY: **SH** CHK. BY: **HFN**

SCALE: **NTS**

DWG. #: **EWS040**

SHEET
4

c:\users\sebastianhereros\building drops, inc\building drops, inc\projects\euro-wall, llc\fac-24-0702 - fbc submittal - c5 casement window\dwg\ews040.dwg 10/21/2024 12:00 PM

TITLE: EURO C5 OUTSWING
CASEMENT WINDOW
(WZ3) (IMPACT)

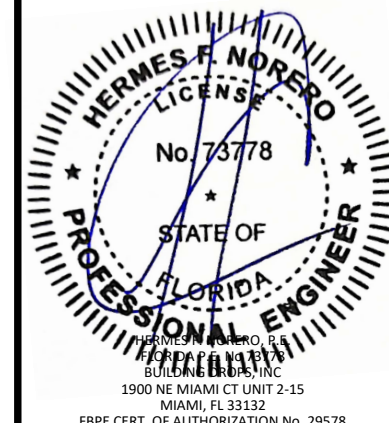
ANCHOR LAYOUTS

PREPARED BY:
BUILDING DROPS, INC.
1900 NE MIAMI CT UNIT 2-15
MIAMI, FL 33132
PH: (954) 399-8478
FAX: (954) 744-4738
WEB: www.buildingdrops.com



REMARKS	BY	DATE

THE INSTALLATION DETAILS DESCRIBED HEREIN ARE GENERIC AND MAY NOT REFLECT ACTUAL CONDITIONS FOR A SPECIFIC SITE. IF SITE CONDITIONS CAUSE INSTALLATION TO DEVIATE FROM THE REQUIREMENTS DETAILED HEREIN, A LICENSED ENGINEER OR ARCHITECT SHALL PREPARE SITE SPECIFIC DOCUMENTS FOR USE WITH THIS DOCUMENT.



FL #: **FL47078**

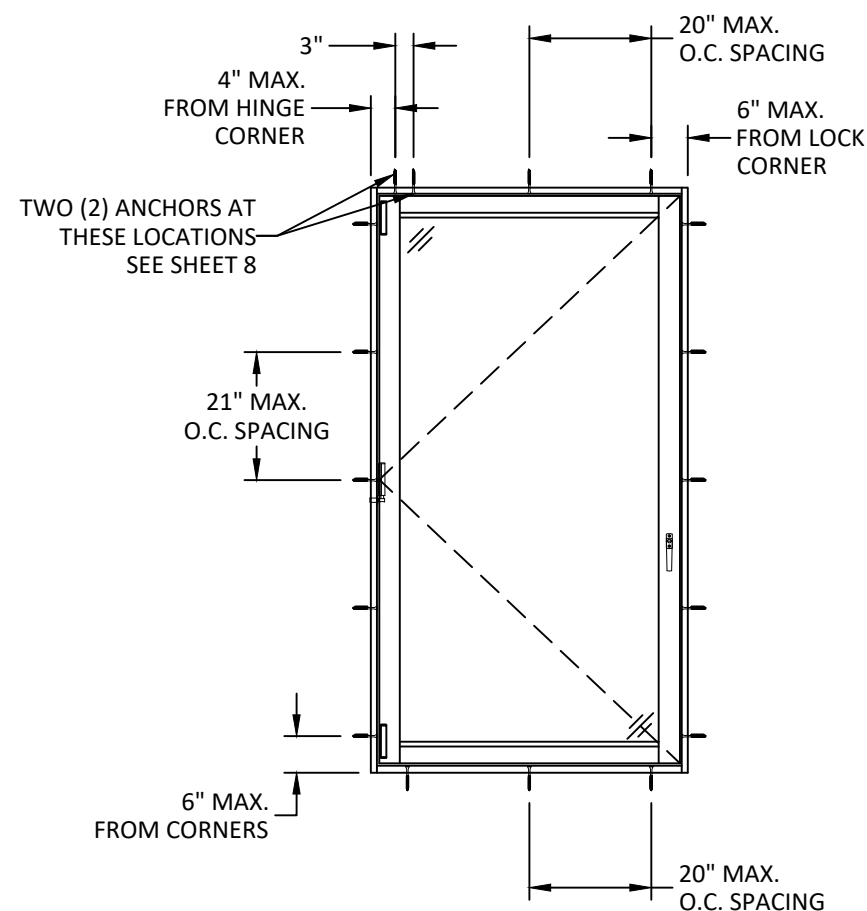
DATE: **10.15.24**

DWG. BY: **SH** CHK. BY: **HFN**

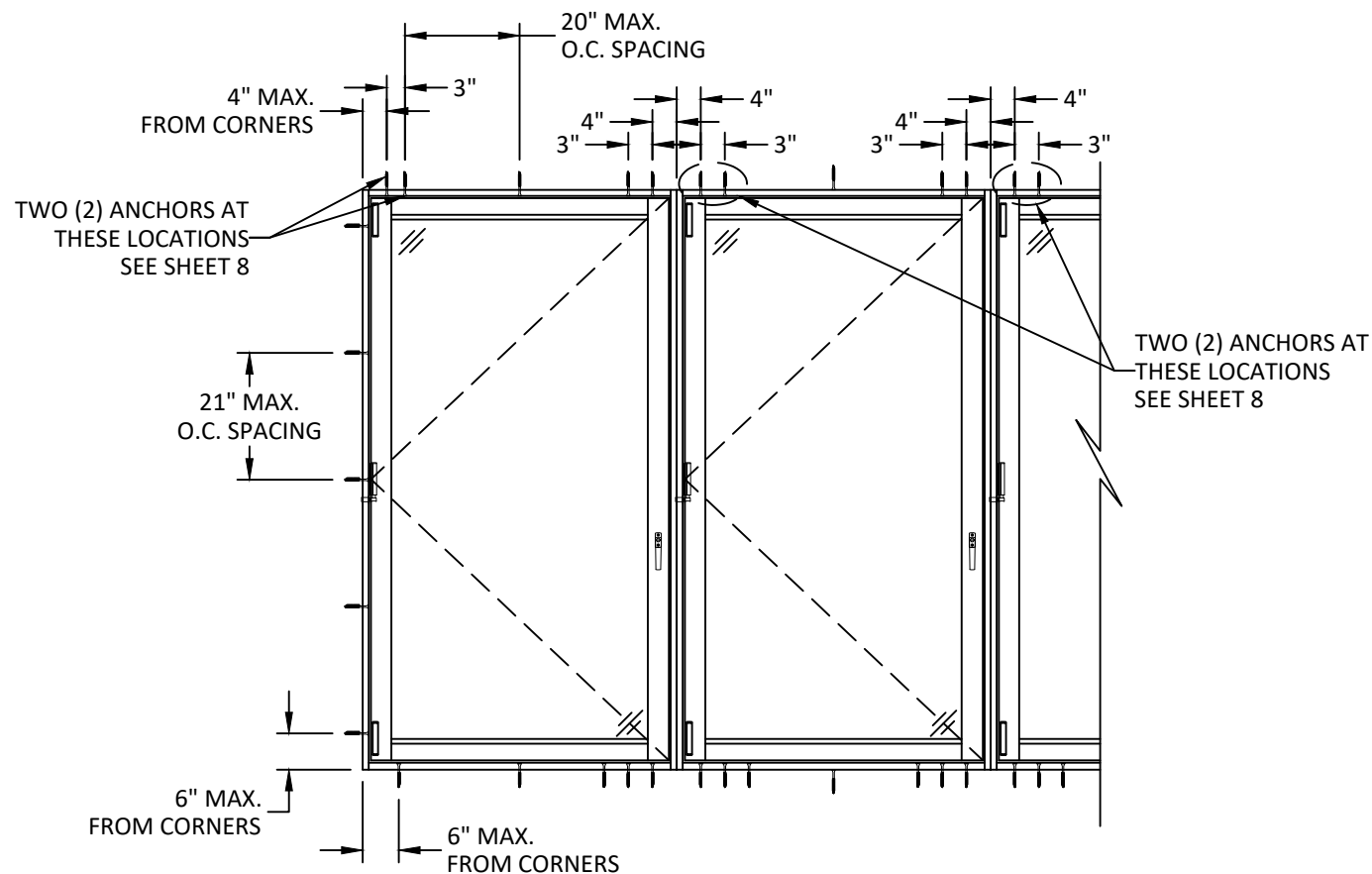
SCALE: **NTS**

DWG. #: **EWS040**

SHEET
5
OF 8



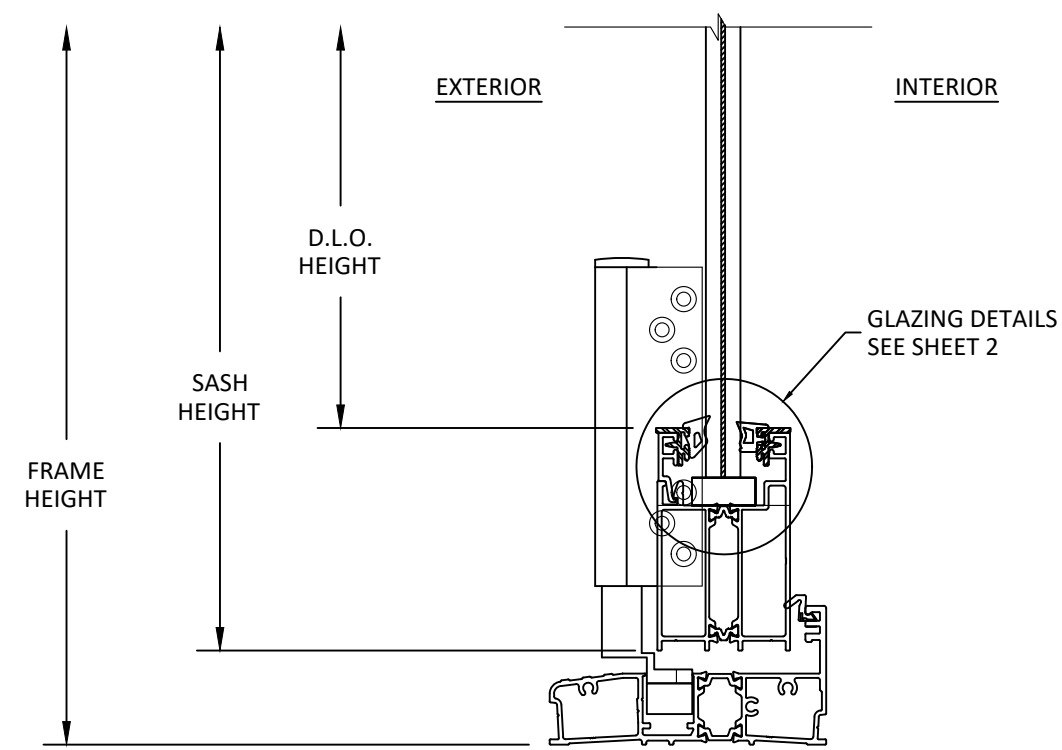
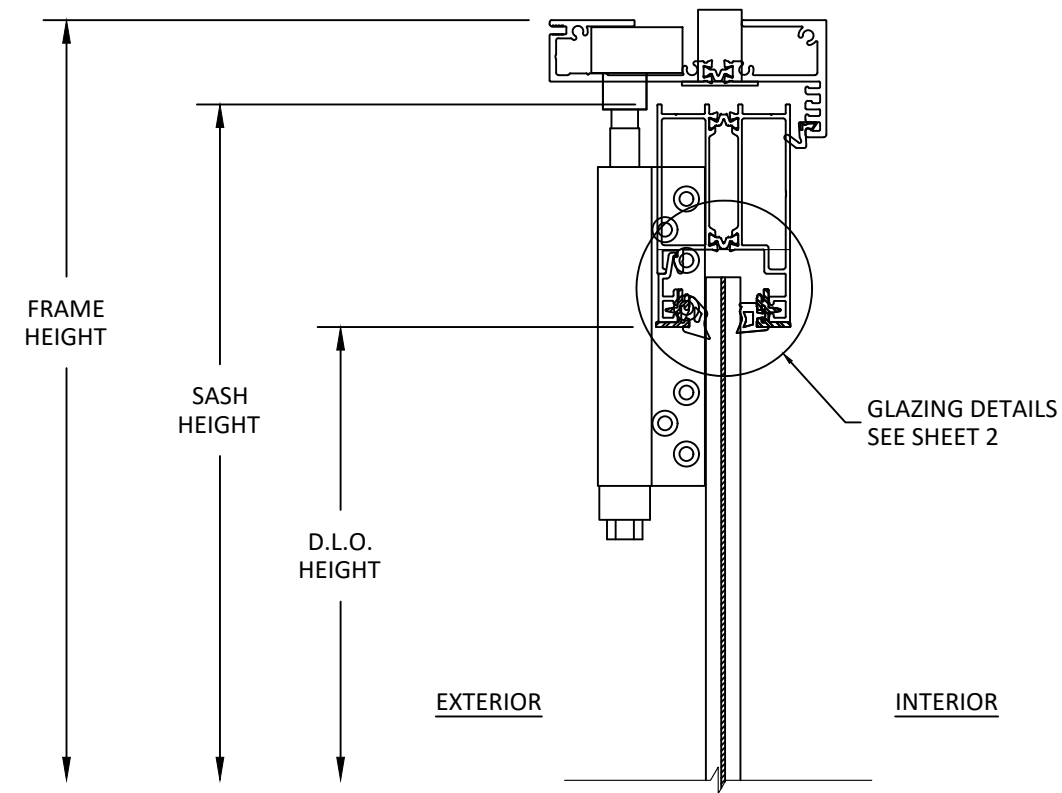
ANCHOR LAYOUT
SINGLE OUTSWING CASEMENT



ANCHOR LAYOUT
MULLED CONFIGURATION

NOTE: (2) ANCHORS PER LOCATION AT THE JAMBS. SEE SHEET 8.

c:\users\sebastianherrerros\building drops, inc\building drops, landing - common\projects\euro-wall, llc\fb-24-0702 - fbc submittal - c5 casement window\dwg\ews040.dwg 10/21/2024 12:00 PM



NOTE: 9/16" LAMINATED GLASS SHOWN, INSULATED GLASS ALSO QUALIFIED.

A
6 **VERTICAL SECTION**
SINGLE OUTSWING CASEMENT WINDOW



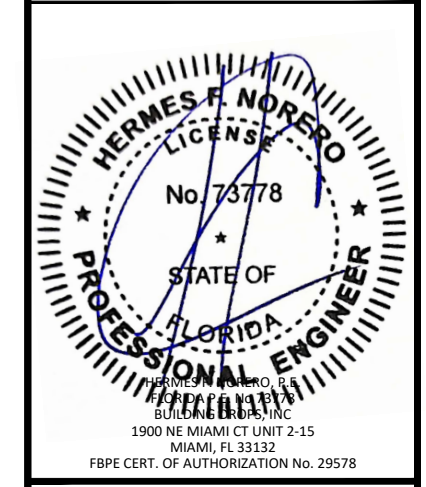
EURO-WALL, LLC
P.O. BOX 8007
NORTH PORT, FL 34290
PH: (888) 989-3876

TITLE: EURO C5 OUTSWING CASEMENT WINDOW (WZ3) (IMPACT)
VERTICAL SECTION

PREPARED BY: BUILDING DROPS, INC.
1900 NE MIAMI CT UNIT 2-15
MIAMI, FL 33132
PH: (954) 399-8478
FAX: (954) 744-4738
WEB: www.buildingdrops.com

REMARKS	BY	DATE

THE INSTALLATION DETAILS DESCRIBED HEREIN ARE GENERIC AND MAY NOT REFLECT ACTUAL CONDITIONS FOR A SPECIFIC SITE. IF SITE CONDITIONS CAUSE INSTALLATION TO DEVIATE FROM THE REQUIREMENTS DETAILED HEREIN, A LICENSED ENGINEER OR ARCHITECT SHALL PREPARE SITE SPECIFIC DOCUMENTS FOR USE WITH THIS DOCUMENT.



FL #: **FL47078**

DATE: **10.15.24**

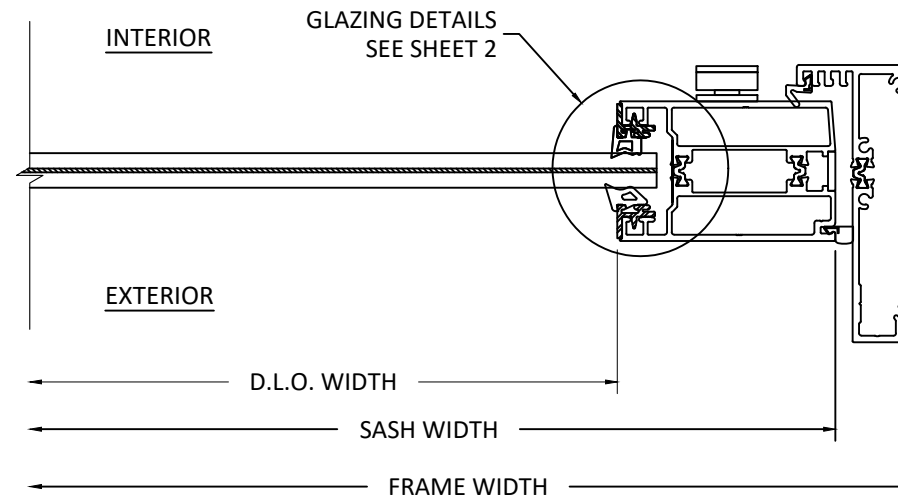
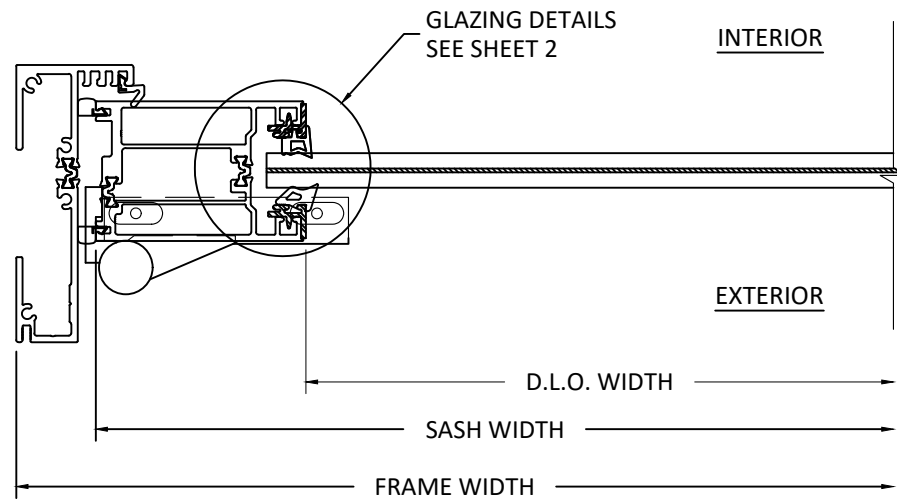
DWG. BY: **SH** CHK. BY: **HFN**

SCALE: **NTS**

DWG. #: **EWS040**

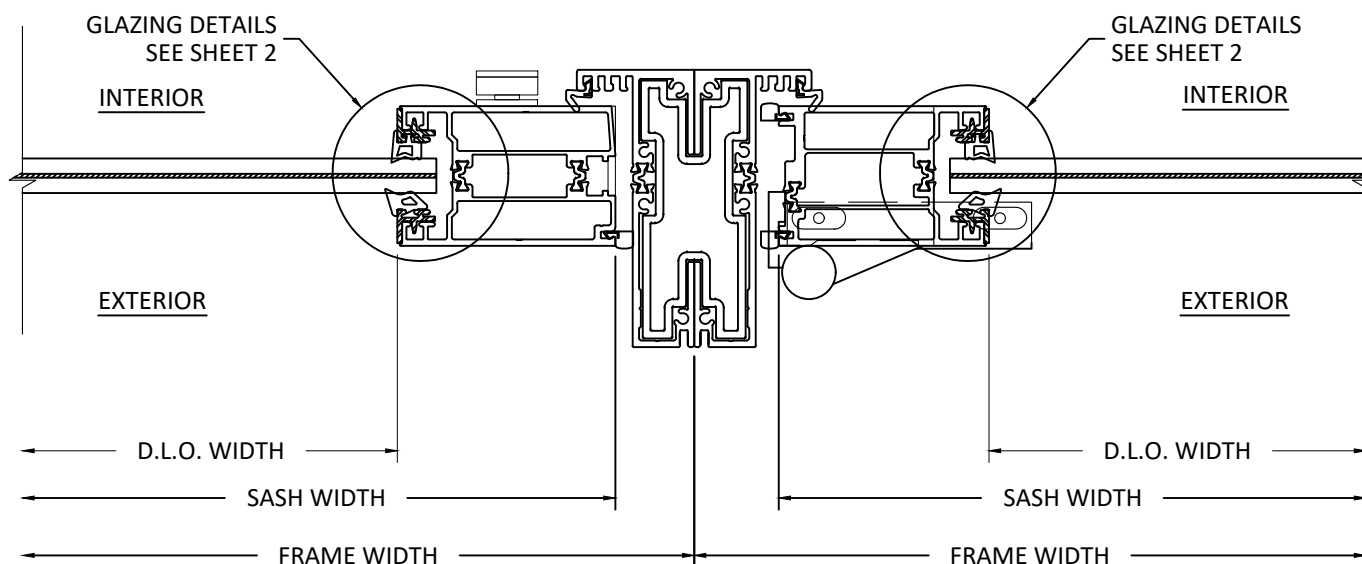
SHEET
6
OF 8

c:\users\sebastianherrerros\building drops, inc\building drops, inc\projects\euro-wall, llc\fbc-24-0702 - fbc submittal - c5 casement window\dwg\ews040.dwg 10/21/2024 12:00 PM



A
7 **HORIZONTAL SECTION**
SINGLE OUTSWING CASEMENT WINDOW

NOTE: 9/16" LAMINATED GLASS SHOWN, INSULATED GLASS ALSO QUALIFIED.



B
7 **HORIZONTAL SECTION**
MULLION DETAIL

TITLE: EURO C5 OUTSWING CASEMENT WINDOW (WZ3) (IMPACT)

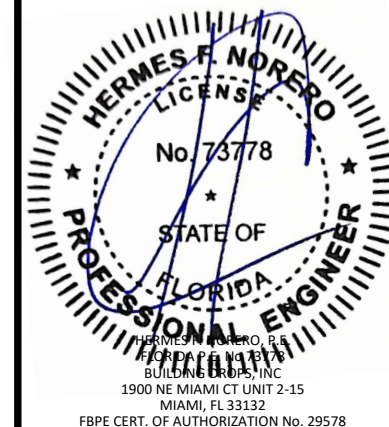
HORIZONTAL SECTIONS

PREPARED BY: **BUILDING DROPS, INC.**
1900 NE MIAMI CT UNIT 2-15
MIAMI, FL 33132
PH: (954) 399-8478
FAX: (954) 44-4738
WEB: www.buildingdrops.com



REMARKS	BY	DATE

THE INSTALLATION DETAILS DESCRIBED HEREIN ARE GENERIC AND MAY NOT REFLECT ACTUAL CONDITIONS FOR A SPECIFIC SITE. IF SITE CONDITIONS CAUSE INSTALLATION TO DEVIATE FROM THE REQUIREMENTS DETAILED HEREIN, A LICENSED ENGINEER OR ARCHITECT SHALL PREPARE SITE SPECIFIC DOCUMENTS FOR USE WITH THIS DOCUMENT.



FL #: **FL47078**

DATE: **10.15.24**

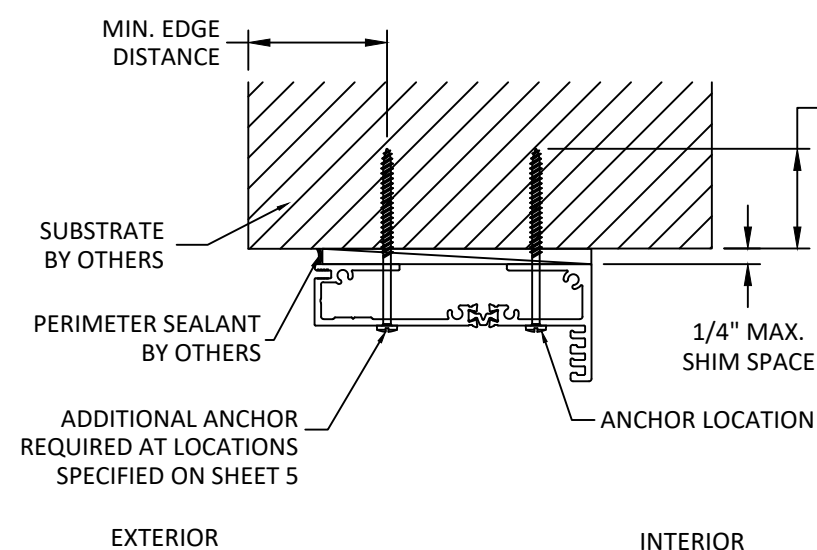
DWG. BY: **SH** CHK. BY: **HFN**

SCALE: **NTS**

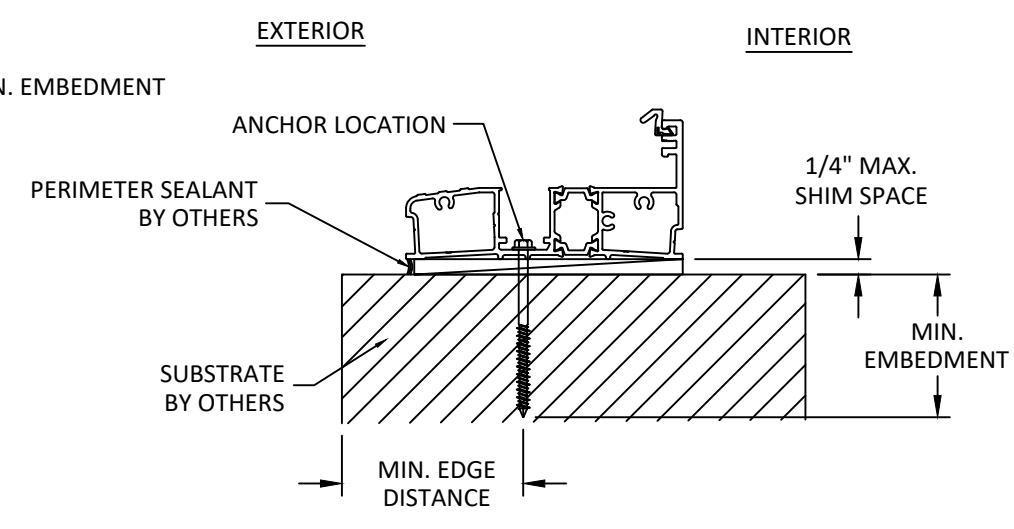
DWG. #: **EWS040**

SHEET **7**

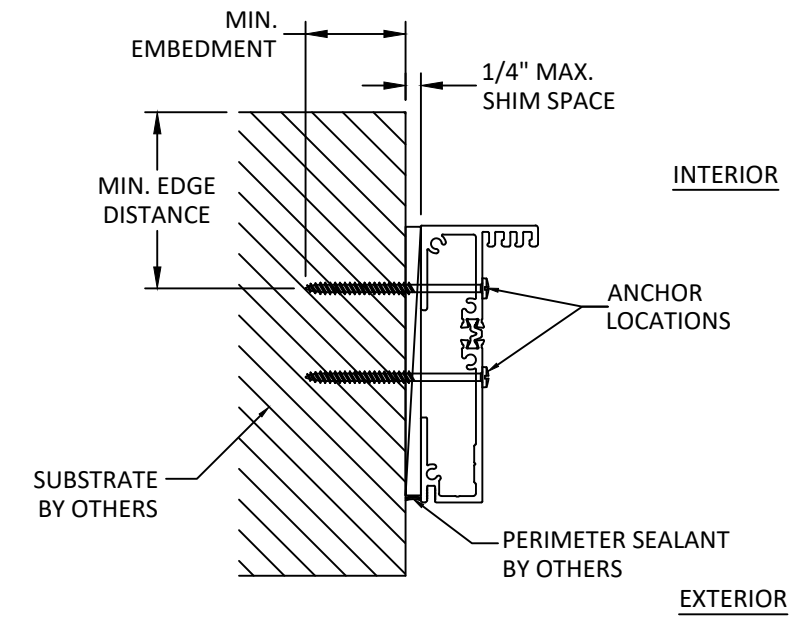
10/21/2024 12:00 PM



A
8 **ANCHOR DETAIL**
HEAD - THROUGH FRAME



B
8 **ANCHOR DETAIL**
SILL - THROUGH FRAME



C
8 **ANCHOR DETAIL**
JAMBS - THROUGH FRAME

INSTALLATION NOTES:

1. ONE (1) INSTALLATION ANCHOR IS REQUIRED AT EACH ANCHOR LOCATION SHOWN UNLESS SPECIFIED IN THE ANCHOR SCHEDULE OR DETAILS ABOVE. TWO (2) INSTALLATION ANCHORS AT THE JAMBS.
2. OPTIONAL 1X AND 2X WOOD STUDS FOR CONCRETE/CMU INSTALLATION.
3. THE NUMBER OF INSTALLATION ANCHORS DEPICTED IS THE MINIMUM NUMBER OF ANCHORS TO BE USED FOR PRODUCT INSTALLATION OF THE MAXIMUM SIZE LISTED.
4. INSTALL INDIVIDUAL INSTALLATION ANCHORS WITHIN A TOLERANCE OF ±1/2 INCH THE DEPICTED LOCATION & SPACING IN THE ANCHOR LAYOUT DETAILS (I.E., WITHOUT CONSIDERATION OF TOLERANCES). TOLERANCES ARE NOT CUMULATIVE FROM ONE INSTALLATION ANCHOR TO THE NEXT.
5. SHIM AS REQUIRED AT EACH INSTALLATION ANCHOR WITH LOAD BEARING SHIM(S). MAXIMUM ALLOWABLE SHIM STACK TO BE 1/4 INCH. SHIM WHERE SPACE OF 1/16 INCH OR GREATER OCCURS. SHIM(S) SHALL BE CONSTRUCTED OF HIGH DENSITY PLASTIC OR BETTER.
6. MINIMUM EMBEDMENT AND EDGE DISTANCE EXCLUDE WALL FINISHES, INCLUDING BUT NOT LIMITED TO STUCCO, FOAM, BRICK VENEER, AND SIDING.
7. INSTALLATION ANCHORS AND ASSOCIATED HARDWARE MUST BE MADE OF CORROSION RESISTANT MATERIAL OR HAVE A CORROSION RESISTANT COATING.
8. FOR HOLLOW BLOCK AND GROUT FILLED BLOCK, DO NOT INSTALL INSTALLATION ANCHORS INTO MORTAR JOINTS. EDGE DISTANCE IS MEASURED FROM FREE EDGE OF BLOCK OR EDGE OF MORTAR JOINT INTO FACE SHELL OF BLOCK.
9. INSTALLATION ANCHORS SHALL BE INSTALLED IN ACCORDANCE WITH ANCHOR MANUFACTURER'S INSTALLATION INSTRUCTIONS, AND ANCHORS SHALL NOT BE USED IN SUBSTRATES WITH STRENGTHS LESS THAN THE MINIMUM STRENGTH SPECIFIED BY THE ANCHOR MANUFACTURER.

ANCHOR SCHEDULE				
METHOD	SUBSTRATE	ANCHOR TYPE	MIN. EMBEDMENT	MIN. EDGE DISTANCE
THROUGH FRAME	WOOD: MIN. S.G. = 0.55	#14 WOOD SCREW	1.50"	0.75"
	METAL: STEEL MIN. 18 GAUGE (MIN. Fy = 36 KSI) ALUM. MIN. 1/8" THK. (MIN. 6063-T5)	1/4" TEK SCREW	3 THREADS MIN PENETRATION BEYOND METAL	0.5"
	CONCRETE: MIN. f'c = 3000 psi	1/4" ITW TAPCON	1.50"	1.50"
	MASONRY: CMU PER ASTM C90 MIN. 2000 PSI	1/4" ITW TAPCON	1.00"	2.50"



EURO-WALL, LLC
P.O. BOX 8007
NORTH PORT, FL 34290
PH: (888) 989-3876

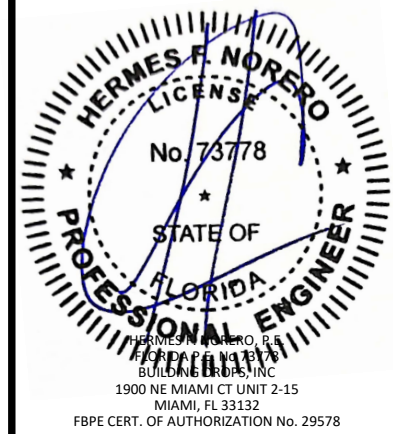
TITLE: EURO C5 OUTSWING
CASEMENT WINDOW
(WZ3) (IMPACT)
INSTALLATION DETAILS
AND ANCHOR SCHEDULE

PREPARED BY:
BUILDING DROPS, INC.
1900 NE MIAMI CT UNIT 2-15
MIAMI, FL 33132
PH: (954) 399-8478
FAX: (954) 744-4738
WEB: www.buildingdrops.com



REMARKS	BY	DATE

THE INSTALLATION DETAILS DESCRIBED HEREIN ARE GENERIC AND MAY NOT REFLECT ACTUAL CONDITIONS FOR A SPECIFIC SITE. IF SITE CONDITIONS CAUSE INSTALLATION TO DEVIATE FROM THE REQUIREMENTS DETAILED HEREIN, A LICENSED ENGINEER OR ARCHITECT SHALL PREPARE SITE SPECIFIC DOCUMENTS FOR USE WITH THIS DOCUMENT.



FL #: **FL47078**

DATE: **10.15.24**

DWG. BY: **SH** CHK. BY: **HFN**

SCALE: **NTS**

DWG. #: **EWS040**

SHEET
8
OF 8