

c:\users\msun\building\_drops - common\projects\euro-wall - common\projects\euro-wall - fbc submittal - f47174 vista tl window wall - corner revision\dwgs\ews047.dwg 6/16/2025 1:30 PM

# EURO-WALL, LLC

## VISTA TL (THIN LINE) WINDOW WALL (WZ3) (IMPACT)



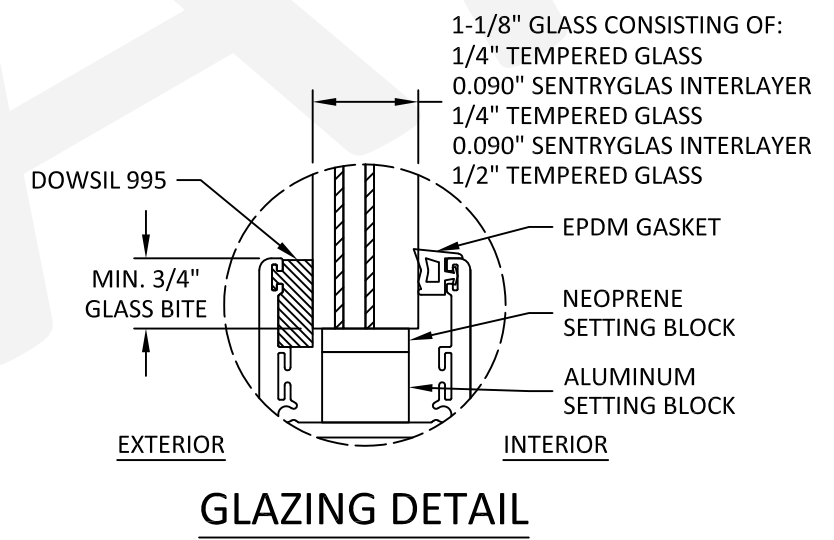
EURO-WALL, LLC  
P.O. BOX 8007  
NORTH PORT, FL 34290  
PH: (888) 9892-3876

**GENERAL NOTES:**

- THE PRODUCT SHOWN HEREIN IS DESIGNED AND MANUFACTURED TO COMPLY WITH THE CURRENT EDITION FLORIDA BUILDING CODE (FBC) **EXCLUDING** HVHZ. ALL PRODUCTS UNDER THE SCOPE OF THIS DOCUMENT HAVE BEEN EVALUATED ACCORDING TO THE FOLLOWING:
  - AAMA 501-15
  - ASTM E283-19
  - ASTM E331-00(16)
  - ASTM E1886-19
  - ASTM E1996-20
  - TAS 201-94
  - TAS 202-94
  - TAS 203-94
- ADEQUACY OF THE EXISTING STRUCTURAL CONCRETE/MASONRY, 2X STUD FRAMING AS A MAIN WIND FORCE RESISTING SYSTEM CAPABLE OF WITHSTANDING AND TRANSFERRING APPLIED PRODUCT LOADS TO THE FOUNDATION IS THE RESPONSIBILITY OF THE ENGINEER OR ARCHITECT OF RECORD FOR THE PROJECT OF INSTALLATION.
- 1X AND 2X BUCKS (WHEN USED) SHALL BE DESIGNED AND ANCHORED TO PROPERLY TRANSFER ALL LOADS TO THE STRUCTURE. BUCK DESIGN AND INSTALLATION IS THE RESPONSIBILITY OF THE ENGINEER OR ARCHITECT OF RECORD FOR THE PROJECT OF INSTALLATION.
- THE INSTALLATION DETAILS DESCRIBED HEREIN ARE GENERIC AND MAY NOT REFLECT ACTUAL CONDITIONS FOR A SPECIFIC SITE. IF SITE CONDITIONS CAUSE INSTALLATION TO DEVIATE FROM THE REQUIREMENTS DETAILED HEREIN, A LICENSED ENGINEER OR ARCHITECT SHALL PREPARE SITE SPECIFIC DOCUMENTS FOR USE WITH THIS DOCUMENT.
- APPROVED IMPACT PROTECTIVE SYSTEM **IS NOT REQUIRED** TO PROTECT THIS PRODUCT IN AREAS REQUIRING IMPACT RESISTANCE OF WIND ZONE 3 OR LESS.
- APPROVED IMPACT PROTECTIVE SYSTEM **IS REQUIRED** TO PROTECT THIS PRODUCT IN AREAS REQUIRING IMPACT RESISTANCE OF WIND ZONE 4.
- FRAME MATERIAL: ALUMINUM 6063-T5.
- ALL STRUCTURAL MATERIALS & DISSIMILAR METALS SHALL BE PROTECTED, TREATED, PAINTED, COATED, AND/OR ISOLATED AS REQUIRED IN THE APPLICABLE SECTIONS OF THE CURRENT FLORIDA BUILDING CODE AND REFERENCED DESIGN SPECIFICATIONS.
- GLASS MEETS THE REQUIREMENTS OF ASTM E 1300 GLASS CHARTS. SEE SHEET 1 FOR GLAZING DETAILS.

TABLE OF CONTENTS	
SHEET	SHEET DESCRIPTION
1	GENERAL NOTES AND GLAZING DETAIL
2	SINGLE UNIT TYPICAL ELEVATION, ANCHOR LAYOUT, AND DP TABLE
3	MULTI-UNIT TYPICAL ELEVATION AND DP TABLE
4	CORNER UNIT TYPICAL ELEVATION
5	MULTI-UNIT AND CORNER UNIT ANCHOR LAYOUT
6	VERTICAL SECTIONS
7	HORIZONTAL SECTIONS
8	INSTALLATION DETAILS AND NOTES

DESIGN PRESSURE RATING		
FRAME SIZE	DESIGN PRESSURE	MISSILE RATING
SEE SHEETS 2 & 3		LARGE AND SMALL MISSILE IMPACT



- GLAZING NOTES:**
- GLASS TYPE & THICKNESS COMPLIES WITH ASTM E1300 REQUIREMENTS AS WELL AS APPLICABLE SAFETY GLAZING REQUIREMENTS PER THE FBC. TEMPER AND SAFETY GLAZING REQUIREMENTS SHALL BE REVIEWED ON A SITE SPECIFIC BASIS.
  - SETTING BLOCK DUROMETER HARDNESS OF 70-90 (SHORE A) AS REFERENCED IN FBC CHAPTER 24.
  - SETTING BLOCKS TO BE LOCATED AT 1/4 SPAN LENGTH FOR GLASS WIDER THAN 36" AS PER FBC CHAPTER 24.
  - D.L.O. AND DESIGN PRESSURES MAY NOT EXCEED MAX VALUES IN SHEETS 2 & 3.

TITLE: VISTA TL (THIN LINE) WINDOW WALL (WZ3) (IMPACT)  
 GENERAL NOTES & GLAZING DETAIL  
 PREPARED BY: BUILDING DROPS, INC.  
 1900 NE MIAMI COURT, SUITE 2-15  
 MIAMI, FL 33132  
 PH: (954) 399-8278  
 FAX: (954) 744-4738  
 WEB: www.buildingdrops.com

REMARKS	BY	DATE
CORNER ADDITION	MS	05/12/2025

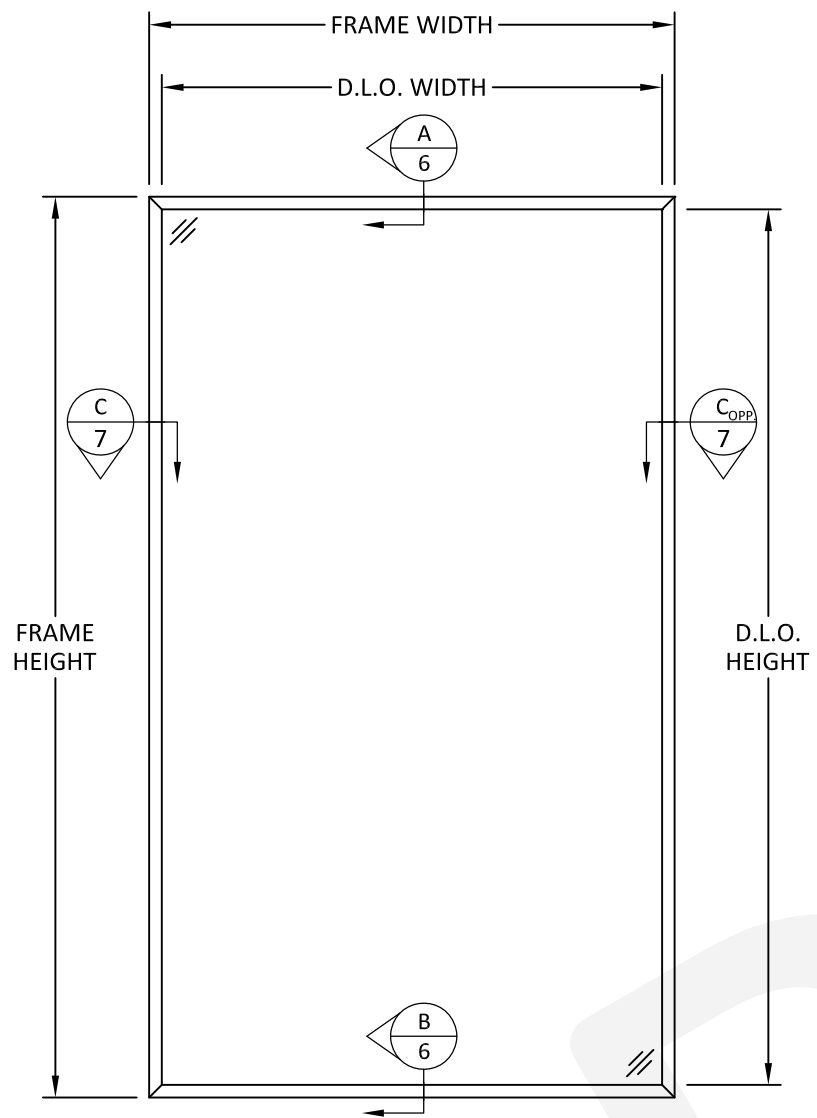
THE INSTALLATION DETAILS DESCRIBED HEREIN ARE GENERIC AND MAY NOT REFLECT ACTUAL CONDITIONS FOR A SPECIFIC SITE. IF SITE CONDITIONS CAUSE INSTALLATION TO DEVIATE FROM THE REQUIREMENTS DETAILED HEREIN, A LICENSED ENGINEER OR ARCHITECT SHALL PREPARE SITE SPECIFIC DOCUMENTS FOR USE WITH THIS DOCUMENT.

HERMES F. NORERO, P.E.  
 FLORIDA P.E. No 73778  
 BUILDING DROPS, INC.  
 1900 NE MIAMI COURT, SUITE 2-15  
 MIAMI, FL 33132  
 FBPE CERT. OF AUTHORIZATION No. 29578

FL #: **FL47174**  
 DATE: **12.04.2024**  
 DWG. BY: **MS**      CHK. BY: **HFN**  
 SCALE: **NTS**  
 DWG. #: **EWS047**

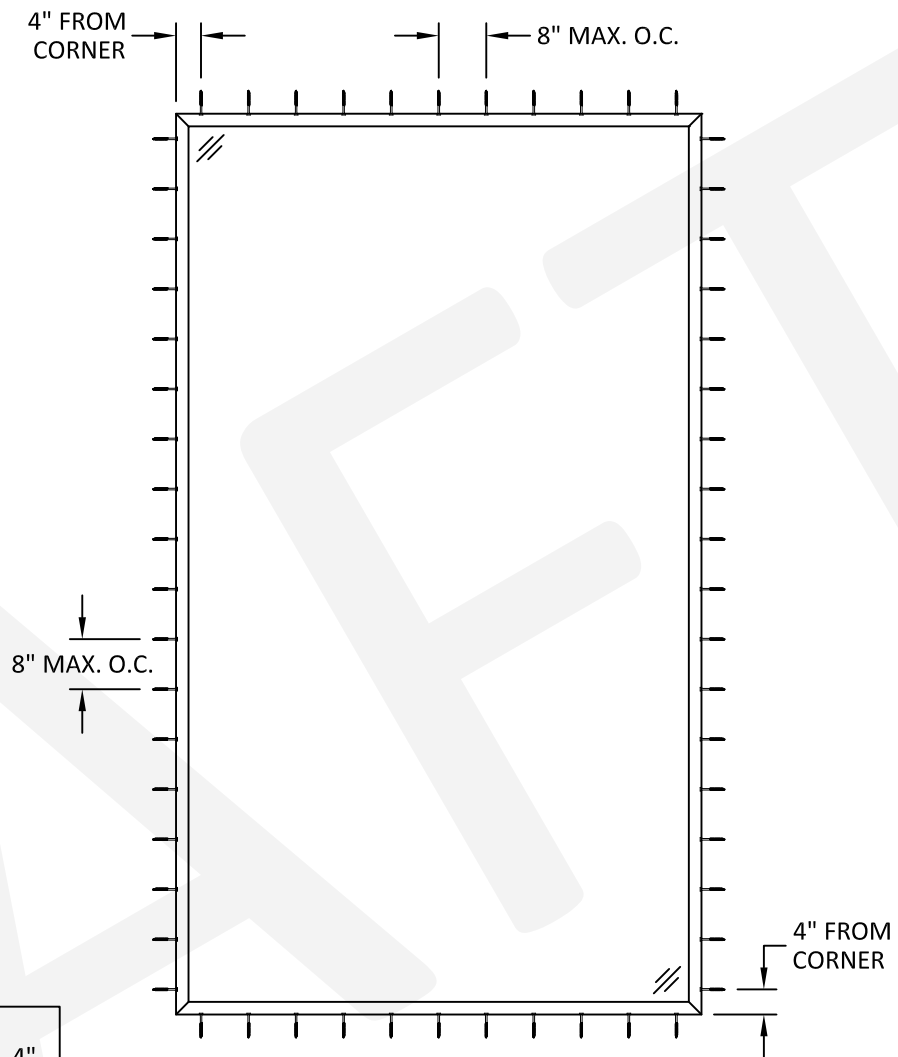
SHEET: **1**  
 OF 8

c:\users\msun\building\_drops - common\projects\euro-wall - lbc\lbc-25-0401 - fbc submittal - f47174 vista tl window wall - corner revision\dwgs\ews047.dwg 6/16/2025 1:30 PM



**TYPICAL ELEVATION**  
SINGLE UNIT

NOTE:  
D.L.O. WIDTH = FRAME WIDTH - 4"  
D.L.O. HEIGHT = FRAME HEIGHT - 4"



**ANCHOR LAYOUT**  
SINGLE UNIT

**DESIGN PRESSURE TABLE (PSF) - SINGLE UNIT**

FRAME HEIGHT (IN.)	FRAME WIDTH (IN.)																								
	60	66	72	78	84	90	96	102	108	114	120	126	132	138	144	150	156	162	168	174	180	186	192	198	
60	90.00	90.00	90.00	90.00	90.00	90.00	90.00	90.00	90.00	90.00	90.00	90.00	90.00	90.00	90.00	90.00	90.00	90.00	90.00	90.00	90.00	90.00	90.00	90.00	
66	90.00	90.00	90.00	90.00	90.00	90.00	90.00	90.00	90.00	90.00	90.00	90.00	90.00	90.00	90.00	90.00	90.00	90.00	90.00	90.00	90.00	-	-	-	-
72	90.00	90.00	90.00	90.00	90.00	90.00	90.00	90.00	90.00	90.00	90.00	90.00	90.00	90.00	90.00	90.00	90.00	90.00	90.00	90.00	-	-	-	-	-
78	90.00	90.00	90.00	90.00	90.00	90.00	90.00	90.00	90.00	90.00	90.00	90.00	90.00	90.00	90.00	90.00	90.00	90.00	90.00	-	-	-	-	-	-
84	90.00	90.00	90.00	90.00	90.00	90.00	90.00	90.00	90.00	90.00	90.00	90.00	90.00	90.00	90.00	90.00	90.00	90.00	-	-	-	-	-	-	-
90	90.00	90.00	90.00	90.00	90.00	83.83	83.83	83.83	83.83	83.83	83.83	83.83	83.83	-	-	-	-	-	-	-	-	-	-	-	-
96	90.00	90.00	90.00	90.00	90.00	83.83	78.45	78.45	78.45	78.45	78.45	-	-	-	-	-	-	-	-	-	-	-	-	-	-
102	90.00	90.00	90.00	90.00	90.00	83.83	78.45	73.72	73.72	73.72	-	-	-	-	-	-	-	-	-	-	-	-	-	-	-
108	90.00	90.00	90.00	90.00	90.00	83.83	78.45	73.72	69.53	-	-	-	-	-	-	-	-	-	-	-	-	-	-	-	-
114	90.00	90.00	90.00	90.00	90.00	83.83	78.45	73.72	-	-	-	-	-	-	-	-	-	-	-	-	-	-	-	-	-
120	90.00	90.00	90.00	90.00	90.00	83.83	78.45	-	-	-	-	-	-	-	-	-	-	-	-	-	-	-	-	-	-
126	90.00	90.00	90.00	90.00	90.00	83.83	-	-	-	-	-	-	-	-	-	-	-	-	-	-	-	-	-	-	-
132	90.00	90.00	90.00	90.00	90.00	83.83	-	-	-	-	-	-	-	-	-	-	-	-	-	-	-	-	-	-	-
138	90.00	90.00	90.00	90.00	90.00	-	-	-	-	-	-	-	-	-	-	-	-	-	-	-	-	-	-	-	-
144	90.00	90.00	90.00	90.00	90.00	-	-	-	-	-	-	-	-	-	-	-	-	-	-	-	-	-	-	-	-
150	90.00	90.00	90.00	90.00	-	-	-	-	-	-	-	-	-	-	-	-	-	-	-	-	-	-	-	-	-
156	90.00	90.00	90.00	-	-	-	-	-	-	-	-	-	-	-	-	-	-	-	-	-	-	-	-	-	-
162	90.00	90.00	90.00	-	-	-	-	-	-	-	-	-	-	-	-	-	-	-	-	-	-	-	-	-	-
168	90.00	90.00	90.00	-	-	-	-	-	-	-	-	-	-	-	-	-	-	-	-	-	-	-	-	-	-
174	90.00	90.00	-	-	-	-	-	-	-	-	-	-	-	-	-	-	-	-	-	-	-	-	-	-	-
180	90.00	90.00	-	-	-	-	-	-	-	-	-	-	-	-	-	-	-	-	-	-	-	-	-	-	-
186	90.00	-	-	-	-	-	-	-	-	-	-	-	-	-	-	-	-	-	-	-	-	-	-	-	-
192	90.00	-	-	-	-	-	-	-	-	-	-	-	-	-	-	-	-	-	-	-	-	-	-	-	-
198	90.00	-	-	-	-	-	-	-	-	-	-	-	-	-	-	-	-	-	-	-	-	-	-	-	-



EURO-WALL, LLC  
P.O. BOX 8007  
NORTH PORT, FL 34290  
PH: (888) 9892-3876

TITLE: VISTA TL (THIN LINE) WINDOW WALL (WZ3) (IMPACT)  
SINGLE UNIT TYPICAL ELEVATION, ANCHOR LAYOUT, & DP TABLE  
PREPARED BY: BUILDING DROPS, INC.  
1900 NE MIAMI COURT, SUITE 2-15  
MIAMI, FL 33132  
PH: (954) 399-8478  
FAX: (954) 744-4738  
WEB: www.buildingdrops.com

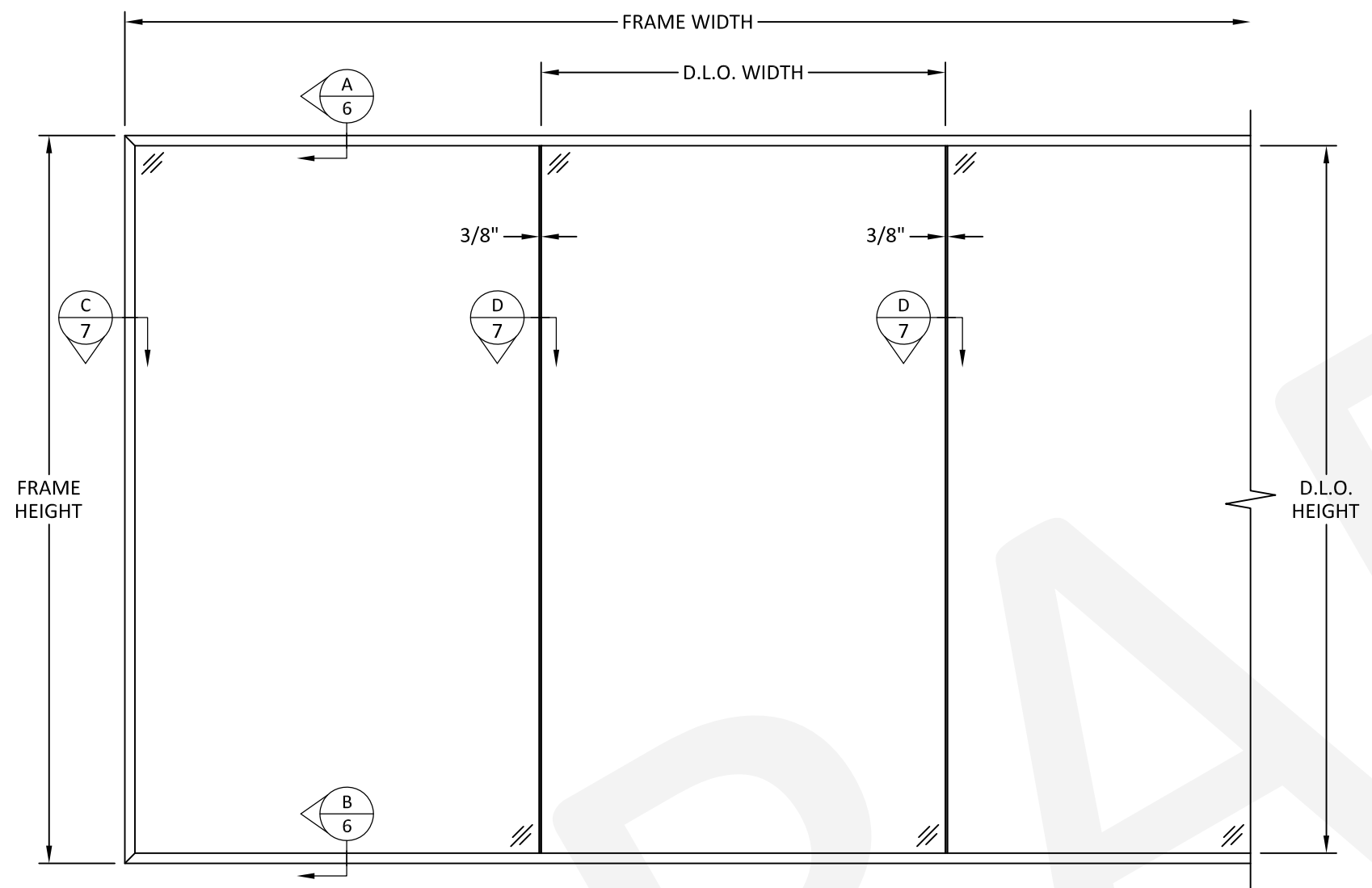
REMARKS	BY	DATE
CORNER ADDITION	MS	05/12/2025

THE INSTALLATION DETAILS DESCRIBED HEREIN ARE GENERIC AND MAY NOT REFLECT ACTUAL CONDITIONS FOR A SPECIFIC SITE. IF SITE CONDITIONS CAUSE INSTALLATION TO DEVIATE FROM THE REQUIREMENTS DETAILED HEREIN, A LICENSED ENGINEER OR ARCHITECT SHALL PREPARE SITE SPECIFIC DOCUMENTS FOR USE WITH THIS DOCUMENT.

HERMES F. NORERO, P.E.  
FLORIDA P.E. No 73778  
BUILDING DROPS, INC.  
1900 NE MIAMI COURT, SUITE 2-15  
MIAMI, FL 33132  
FBPE CERT. OF AUTHORIZATION No. 29578

FL #: **FL47174**  
DATE: **12.04.2024**  
DWG. BY: **MS** | CHK. BY: **HFN**  
SCALE: **NTS**  
DWG. #: **EWS047**  
SHEET: **2**

c:\users\msun\building\_drops - common\projects\euro-wall - fbc submittal - f47174 vista tl window wall - corner revision\dwgs\ews047.dwg 6/16/2025 1:30 PM



**TYPICAL ELEVATION  
MULTI-UNIT**

**NOTE:**  
 FRAME WIDTH = D.L.O. WIDTH 1 + D.L.O. WIDTH 2 + ... +  
 0.375" × (GLASS QUANTITY) + 3.625"  
 D.L.O. HEIGHT = FRAME HEIGHT - 4"

**DESIGN PRESSURE TABLE (PSF) - MULTI-UNIT & CORNER UNIT**

FRAME HEIGHT (IN.)	D.L.O. WIDTH (IN.)																													
	26	32	38	44	50	56	62	68	74	80	86	92	98	104	110	116	122	128	134	140	146	152	158	164	170	176	182	188	194	
60	90.00	90.00	90.00	90.00	90.00	90.00	90.00	90.00	90.00	90.00	90.00	90.00	90.00	90.00	90.00	90.00	90.00	90.00	90.00	90.00	90.00	90.00	90.00	90.00	90.00	90.00	90.00	90.00	90.00	
66	90.00	90.00	90.00	90.00	90.00	90.00	90.00	90.00	90.00	90.00	90.00	90.00	90.00	90.00	90.00	90.00	90.00	90.00	90.00	90.00	90.00	90.00	90.00	90.00	90.00	90.00	90.00	-	-	-
72	90.00	90.00	90.00	90.00	90.00	90.00	90.00	90.00	90.00	90.00	90.00	90.00	90.00	90.00	90.00	90.00	90.00	90.00	90.00	90.00	90.00	90.00	90.00	90.00	90.00	90.00	90.00	-	-	-
78	90.00	90.00	90.00	90.00	90.00	90.00	90.00	90.00	90.00	90.00	90.00	90.00	90.00	90.00	90.00	90.00	90.00	90.00	90.00	90.00	90.00	90.00	90.00	90.00	90.00	90.00	90.00	-	-	-
84	90.00	90.00	90.00	90.00	90.00	90.00	90.00	90.00	90.00	90.00	90.00	90.00	90.00	90.00	90.00	90.00	90.00	90.00	90.00	90.00	90.00	90.00	90.00	90.00	90.00	90.00	90.00	-	-	-
90	90.00	90.00	90.00	90.00	90.00	90.00	90.00	90.00	90.00	90.00	90.00	90.00	90.00	90.00	90.00	90.00	90.00	90.00	90.00	90.00	90.00	90.00	90.00	90.00	90.00	90.00	90.00	-	-	-
96	90.00	90.00	90.00	90.00	90.00	90.00	90.00	90.00	90.00	90.00	90.00	90.00	90.00	90.00	90.00	90.00	90.00	90.00	90.00	90.00	90.00	90.00	90.00	90.00	90.00	90.00	90.00	-	-	-
102	90.00	90.00	90.00	90.00	90.00	90.00	90.00	90.00	90.00	90.00	90.00	90.00	90.00	90.00	90.00	90.00	90.00	90.00	90.00	90.00	90.00	90.00	90.00	90.00	90.00	90.00	90.00	-	-	-
108	90.00	90.00	90.00	90.00	90.00	90.00	90.00	90.00	90.00	90.00	90.00	90.00	90.00	90.00	90.00	90.00	90.00	90.00	90.00	90.00	90.00	90.00	90.00	90.00	90.00	90.00	90.00	-	-	-
114	90.00	90.00	90.00	90.00	90.00	90.00	90.00	90.00	90.00	90.00	90.00	90.00	90.00	90.00	90.00	90.00	90.00	90.00	90.00	90.00	90.00	90.00	90.00	90.00	90.00	90.00	90.00	-	-	-
120	90.00	90.00	90.00	90.00	90.00	90.00	90.00	90.00	90.00	90.00	90.00	90.00	90.00	90.00	90.00	90.00	90.00	90.00	90.00	90.00	90.00	90.00	90.00	90.00	90.00	90.00	90.00	-	-	-
126	90.00	90.00	90.00	90.00	90.00	90.00	90.00	90.00	90.00	90.00	90.00	90.00	90.00	90.00	90.00	90.00	90.00	90.00	90.00	90.00	90.00	90.00	90.00	90.00	90.00	90.00	90.00	-	-	-
132	90.00	90.00	90.00	90.00	90.00	90.00	90.00	90.00	90.00	90.00	90.00	90.00	90.00	90.00	90.00	90.00	90.00	90.00	90.00	90.00	90.00	90.00	90.00	90.00	90.00	90.00	90.00	-	-	-
138	90.00	90.00	90.00	90.00	90.00	90.00	90.00	90.00	90.00	90.00	90.00	90.00	90.00	90.00	90.00	90.00	90.00	90.00	90.00	90.00	90.00	90.00	90.00	90.00	90.00	90.00	90.00	-	-	-
144	90.00	90.00	90.00	90.00	90.00	90.00	90.00	90.00	90.00	90.00	90.00	90.00	90.00	90.00	90.00	90.00	90.00	90.00	90.00	90.00	90.00	90.00	90.00	90.00	90.00	90.00	90.00	-	-	-
150	90.00	90.00	90.00	90.00	90.00	90.00	90.00	90.00	90.00	90.00	90.00	90.00	90.00	90.00	90.00	90.00	90.00	90.00	90.00	90.00	90.00	90.00	90.00	90.00	90.00	90.00	90.00	-	-	-
156	90.00	90.00	90.00	90.00	90.00	90.00	90.00	90.00	90.00	90.00	90.00	90.00	90.00	90.00	90.00	90.00	90.00	90.00	90.00	90.00	90.00	90.00	90.00	90.00	90.00	90.00	90.00	84.75	-	-
162	90.00	90.00	90.00	90.00	90.00	90.00	90.00	90.00	90.00	90.00	90.00	90.00	90.00	90.00	90.00	90.00	90.00	90.00	90.00	90.00	90.00	90.00	90.00	90.00	90.00	90.00	90.00	82.12	75.07	-
168	90.00	90.00	90.00	90.00	90.00	90.00	90.00	90.00	90.00	90.00	90.00	90.00	90.00	90.00	90.00	90.00	90.00	90.00	90.00	90.00	90.00	90.00	90.00	90.00	90.00	90.00	90.00	81.11	73.16	-
174	90.00	90.00	90.00	90.00	90.00	90.00	90.00	90.00	90.00	90.00	90.00	90.00	90.00	90.00	90.00	90.00	90.00	90.00	90.00	90.00	90.00	90.00	90.00	90.00	90.00	90.00	90.00	81.84	72.63	65.46
180	90.00	90.00	90.00	90.00	90.00	90.00	90.00	90.00	90.00	90.00	90.00	90.00	90.00	90.00	90.00	90.00	90.00	90.00	90.00	90.00	90.00	90.00	90.00	90.00	90.00	90.00	90.00	84.63	73.62	65.30
186	90.00	90.00	90.00	90.00	90.00	90.00	90.00	90.00	90.00	90.00	90.00	90.00	90.00	90.00	90.00	90.00	90.00	90.00	90.00	90.00	90.00	90.00	90.00	90.00	90.00	90.00	90.00	76.44	66.46	58.92
192	90.00	90.00	90.00	90.00	90.00	90.00	90.00	90.00	90.00	90.00	90.00	90.00	90.00	90.00	90.00	90.00	90.00	90.00	90.00	90.00	90.00	90.00	90.00	90.00	90.00	90.00	90.00	81.80	69.28	60.21
198	90.00	90.00	90.00	90.00	90.00	90.00	90.00	90.00	90.00	90.00	90.00	90.00	90.00	90.00	90.00	90.00	90.00	90.00	90.00	90.00	90.00	90.00	90.00	90.00	90.00	90.00	90.00	74.39	62.98	54.72



EURO-WALL, LLC  
 P.O. BOX 8007  
 NORTH PORT, FL 34290  
 PH: (888) 9892-3876

**TITLE:** VISTA TL (THIN LINE) WINDOW WALL (WZ3) (IMPACT)  
 MULTI-UNIT TYPICAL ELEVATION & DP TABLE  
**PREPARED BY:** BUILDING DROPS, INC.  
 1900 NE MIAMI COURT, SUITE 2-15  
 MIAMI, FL 33132  
 PH: (954) 399-8478  
 FAX: (954) 744-4738  
 WEB: www.buildingdrops.com

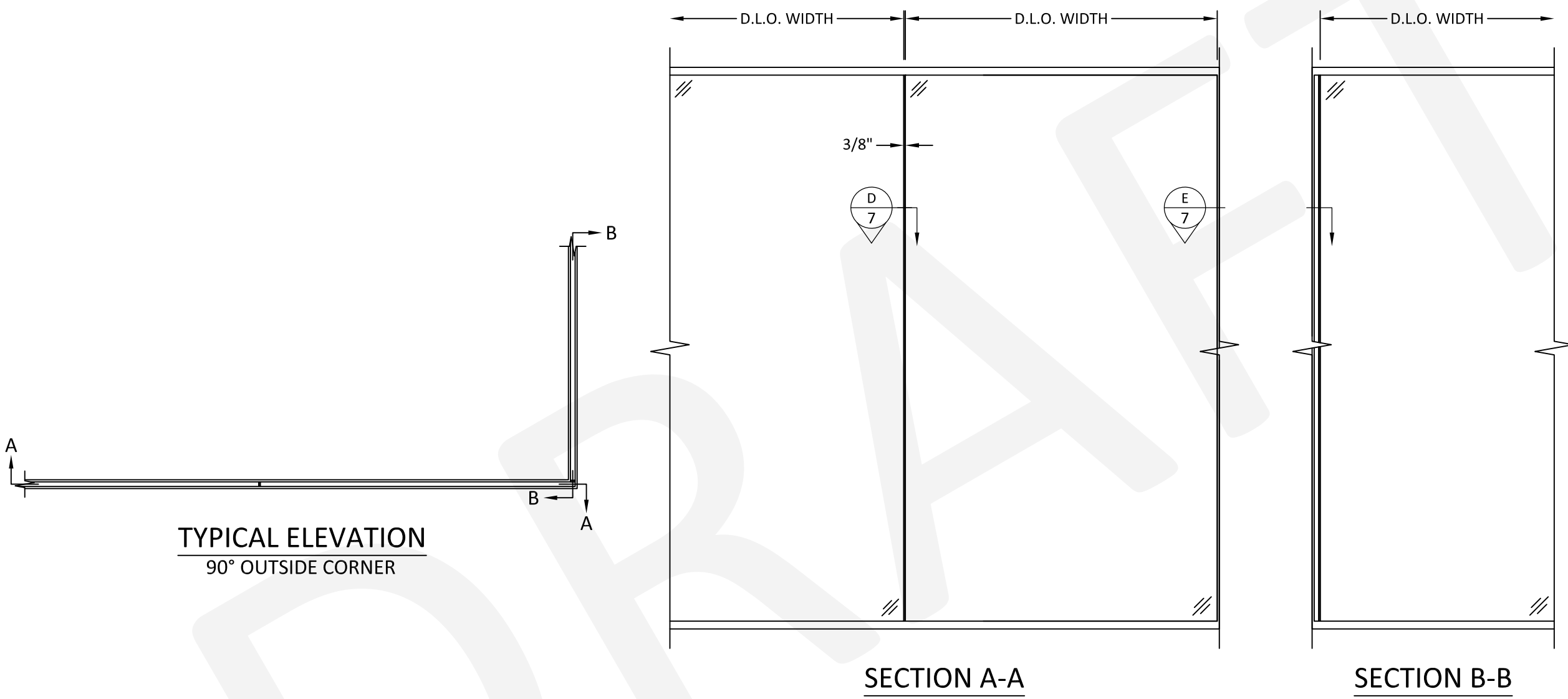
REMARKS	BY	DATE
CORNER ADDITION	MS	05/12/2025

THE INSTALLATION DETAILS DESCRIBED HEREIN ARE GENERIC AND MAY NOT REFLECT ACTUAL CONDITIONS FOR A SPECIFIC SITE. IF SITE CONDITIONS CAUSE INSTALLATION TO DEVIATE FROM THE REQUIREMENTS DETAILED HEREIN, A LICENSED ENGINEER OR ARCHITECT SHALL PREPARE SITE SPECIFIC DOCUMENTS FOR USE WITH THIS DOCUMENT.

HERMES F. NORERO, P.E.  
 FLORIDA P.E. No 73778  
 BUILDING DROPS, INC.  
 1900 NE MIAMI COURT, SUITE 2-15  
 MIAMI, FL 33132  
 FBPE CERT. OF AUTHORIZATION No. 29578

**FL #:** FL47174  
**DATE:** 12.04.2024  
**DWG. BY:** MS **CHK. BY:** HFN  
**SCALE:** NTS  
**DWG. #:** EWS047  
**SHEET:** 3 OF 8

c:\users\msun\building\_drops - common\projects\euro-wall, llc\lbc-25-0401 - fbc submittal - f47174 vista tl window wall - corner revision\dwgs\ews047.dwg 6/6/2025 1:30 PM



EURO-WALL, LLC  
P.O. BOX 8007  
NORTH PORT, FL 34290  
PH: (888) 9892-3876

**TITLE:**  
VISTA TL (THIN LINE) WINDOW WALL  
(WZ3) (IMPACT)

**CORNER UNIT TYPICAL ELEVATION**

**PREPARED BY:**  
BUILDING DROPS, INC.  
1900 NE MIAMI COURT, SUITE 2-15  
MIAMI, FL 33132  
PH: (954) 399-8478  
FAX: (954) 744-4738  
WEB: www.buildingdrops.com

REMARKS	BY	DATE
CORNER ADDITION	MS	05/12/2025

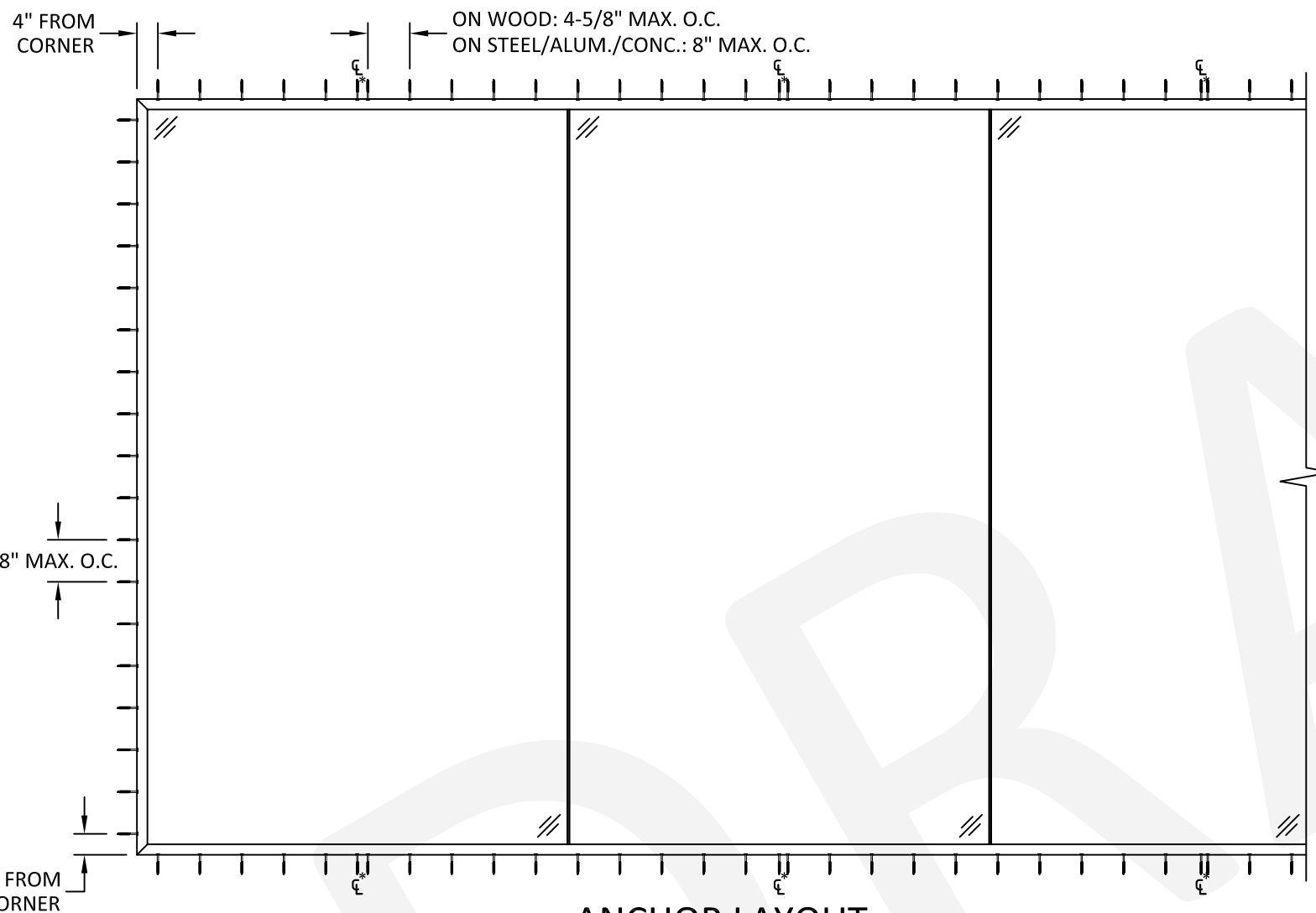
THE INSTALLATION DETAILS DESCRIBED HEREIN ARE GENERIC AND MAY NOT REFLECT ACTUAL CONDITIONS FOR A SPECIFIC SITE. IF SITE CONDITIONS CAUSE INSTALLATION TO DEVIATE FROM THE REQUIREMENTS DETAILED HEREIN, A LICENSED ENGINEER OR ARCHITECT SHALL PREPARE SITE SPECIFIC DOCUMENTS FOR USE WITH THIS DOCUMENT.

HERMES F. NORERO, P.E.  
FLORIDA P.E. No 73778  
BUILDING DROPS, INC  
1900 NE MIAMI COURT, SUITE 2-15  
MIAMI, FL 33132  
FBPE CERT. OF AUTHORIZATION No. 29578

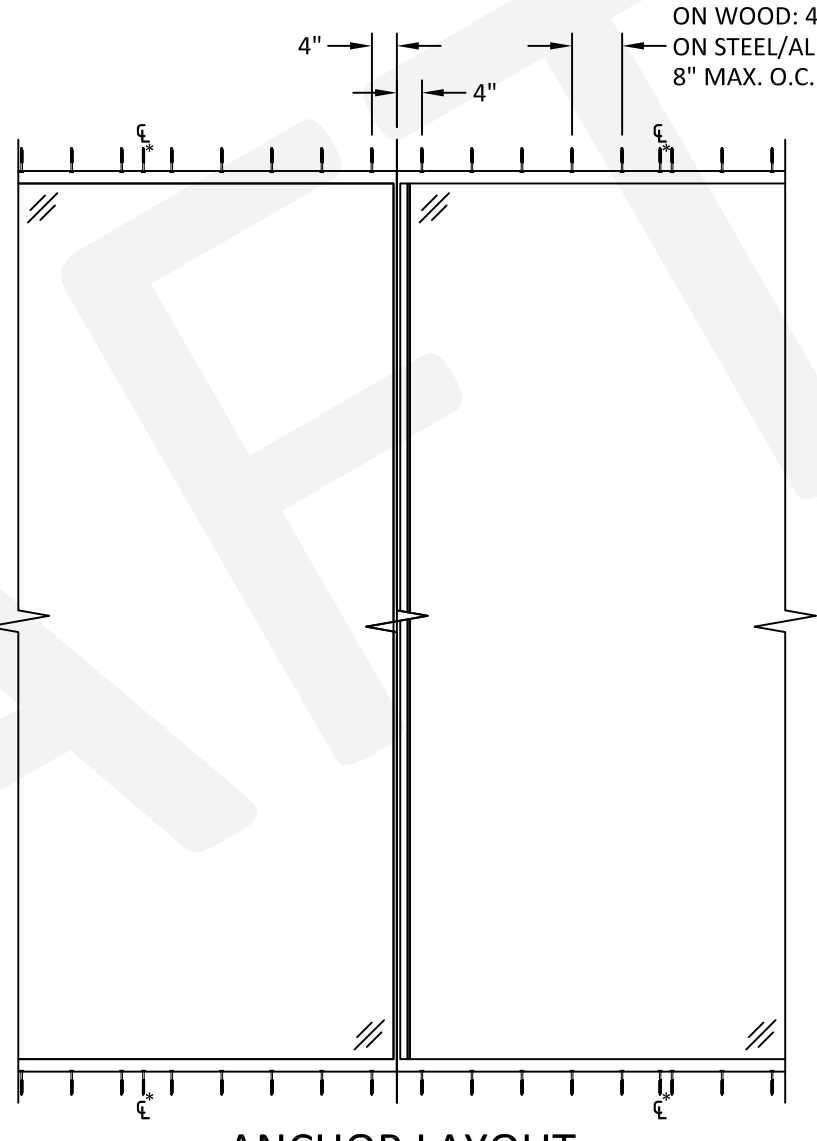
FL #:	<b>FL47174</b>
DATE:	<b>12.04.2024</b>
DWG. BY:	<b>MS</b>
CHK. BY:	<b>HFN</b>
SCALE:	<b>NTS</b>
DWG. #:	<b>EWS047</b>
SHEET:	<b>4</b>

c:\users\msun\building\_drops, inc\building\_drops\_landing - common\projects\euro-wall, llc\lbc-25-0401 - fbc submittal - f47174 vista tl window wall - corner revision\dwgs\ews047.dwg 6/6/2025 1:30 PM

EURO-WALL, LLC  
P.O. BOX 8007  
NORTH PORT, FL 34290  
PH: (888) 9892-3876



**ANCHOR LAYOUT**  
MULTI-UNIT



**ANCHOR LAYOUT**  
CORNER

**NOTE:**  
THE ANCHOR LAYOUT FOR THE MULTI-UNIT IS VERIFIED TO MAXIMUM 20 GLASS PANELS. FOR A MULTI-UNIT WITH MORE THAN 20 GLASS PANELS, THE ANCHOR SCHEDULE NEEDS TO BE EVALUATED SEPARATELY.

\* ADDITIONAL ANCHOR AT CENTER OF EACH SPAN, SEE SHEET 8 FOR DETAILS.

**TITLE:**  
VISTA TL (THIN LINE) WINDOW WALL (WZ3) (IMPACT)  
MULTI-UNIT & CORNER UNIT ANCHOR LAYOUT

**PREPARED BY:**  
**BUILDING DROPS, INC.**  
1900 NE MIAMI COURT, SUITE 2-15  
MIAMI, FL 33132  
PH: (954) 399-8478  
FAX: (954) 744-4738  
WEB: www.buildingdrops.com

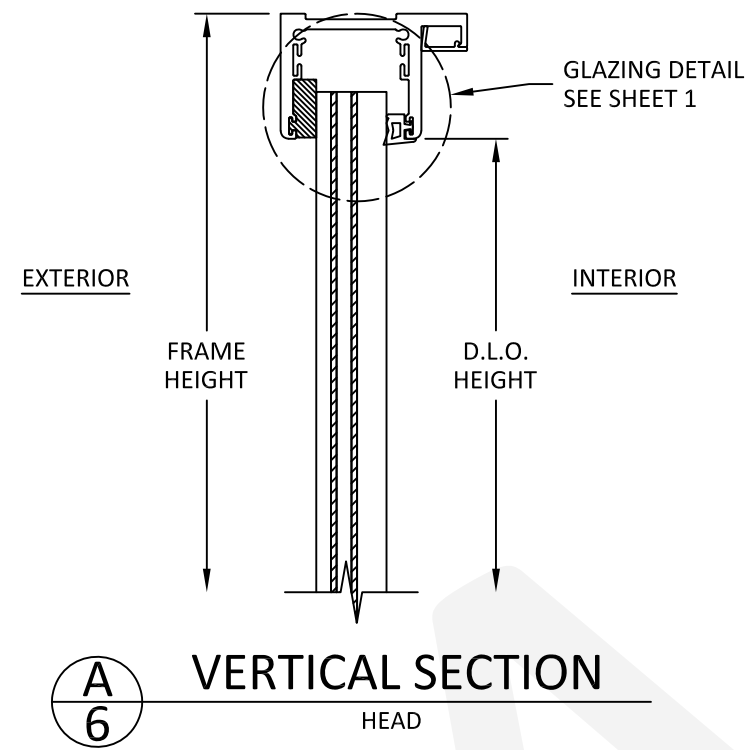
REMARKS	BY	DATE
CORNER ADDITION	MS	05/12/2025

THE INSTALLATION DETAILS DESCRIBED HEREIN ARE GENERIC AND MAY NOT REFLECT ACTUAL CONDITIONS FOR A SPECIFIC SITE. IF SITE CONDITIONS CAUSE INSTALLATION TO DEVIATE FROM THE REQUIREMENTS DETAILED HEREIN, A LICENSED ENGINEER OR ARCHITECT SHALL PREPARE SITE SPECIFIC DOCUMENTS FOR USE WITH THIS DOCUMENT.

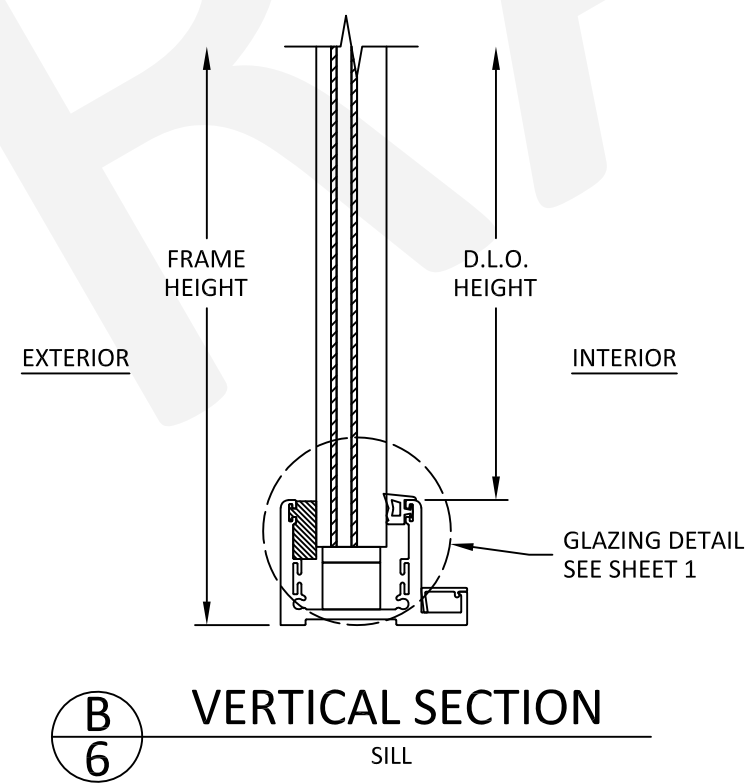
HERMES F. NORERO, P.E.  
FLORIDA P.E. No 73778  
BUILDING DROPS, INC  
1900 NE MIAMI COURT, SUITE 2-15  
MIAMI, FL 33132  
FBPE CERT. OF AUTHORIZATION No. 29578

FL #:	<b>FL47174</b>
DATE:	<b>12.04.2024</b>
DWG. BY:	<b>MS</b>
CHK. BY:	<b>HFN</b>
SCALE:	<b>NTS</b>
DWG. #:	<b>EWS047</b>
SHEET:	<b>5</b>

c:\users\msun\building\_drops - common\projects\euro-wall, llc\lbc-25-0401 - fbc submittal - f47174 vista tl window wall - corner revision\dwgs\ews047.dwg 6/6/2025 1:30 PM



**A**  
**6** VERTICAL SECTION  
HEAD



**B**  
**6** VERTICAL SECTION  
SILL

**euro-wall**  
SUPERIOR BY DESIGN

EURO-WALL, LLC  
P.O. BOX 8007  
NORTH PORT, FL 34290  
PH: (888) 9892-3876

TITLE: VISTA TL (THIN LINE) WINDOW WALL (WZ3) (IMPACT)  
VERTICAL SECTIONS  
PREPARED BY: BUILDING DROPS, INC.  
1900 NE MIAMI COURT, SUITE 2-15  
MIAMI, FL 33132  
PH: (954) 399-8478  
FAX: (954) 744-4738  
WEB: www.buildingdrops.com

REMARKS	BY	DATE
CORNER ADDITION	MS	05/12/2025

THE INSTALLATION DETAILS DESCRIBED HEREIN ARE GENERIC AND MAY NOT REFLECT ACTUAL CONDITIONS FOR A SPECIFIC SITE. IF SITE CONDITIONS CAUSE INSTALLATION TO DEVIATE FROM THE REQUIREMENTS DETAILED HEREIN, A LICENSED ENGINEER OR ARCHITECT SHALL PREPARE SITE SPECIFIC DOCUMENTS FOR USE WITH THIS DOCUMENT.

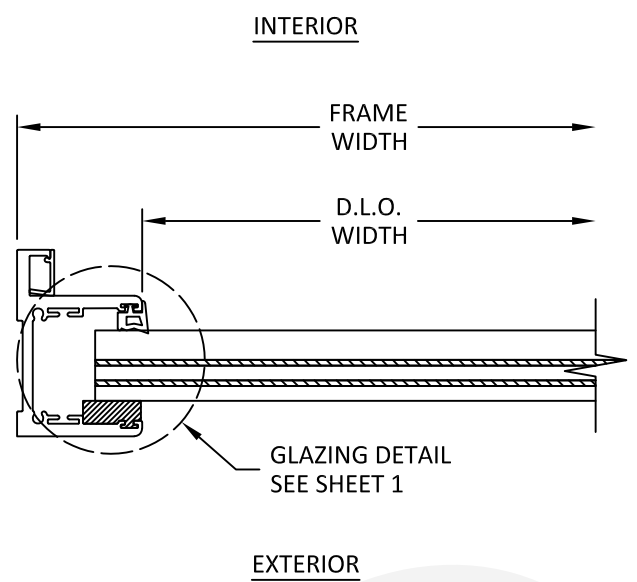
HERMES F. NORERO, P.E.  
FLORIDA P.E. No 73778  
BUILDING DROPS, INC  
1900 NE MIAMI COURT, SUITE 2-15  
MIAMI, FL 33132  
FBPE CERT. OF AUTHORIZATION No. 29578

FL #:	<b>FL47174</b>
DATE:	<b>12.04.2024</b>
DWG. BY:	<b>MS</b>
CHK. BY:	<b>HFN</b>
SCALE:	<b>NTS</b>
DWG. #:	<b>EWS047</b>
SHEET:	<b>6</b>

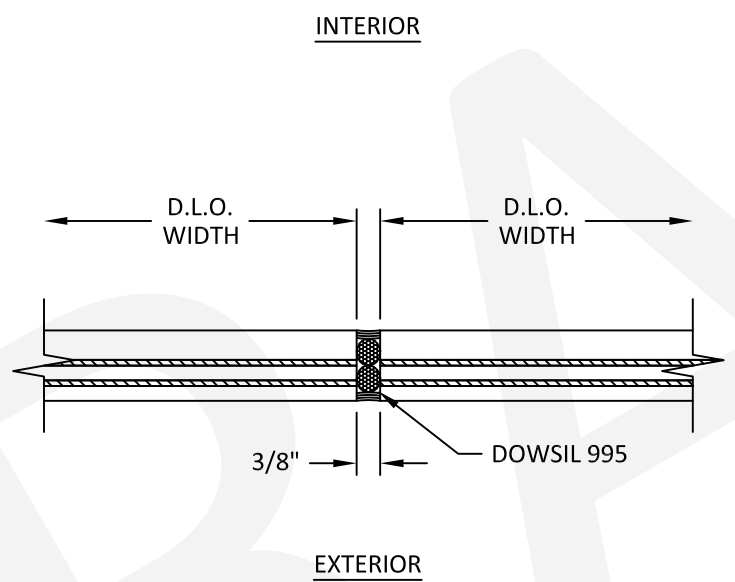
c:\users\msun\building\_drops - common\projects\euro-wall, llc\lbc-25-0401 - fbc submittal - f47174 vista tl window wall - corner revision\dwgs\ews047.dwg 6/6/2025 1:30 PM

EURO-WALL, LLC  
P.O. BOX 8007  
NORTH PORT, FL 34290  
PH: (888) 9892-3876

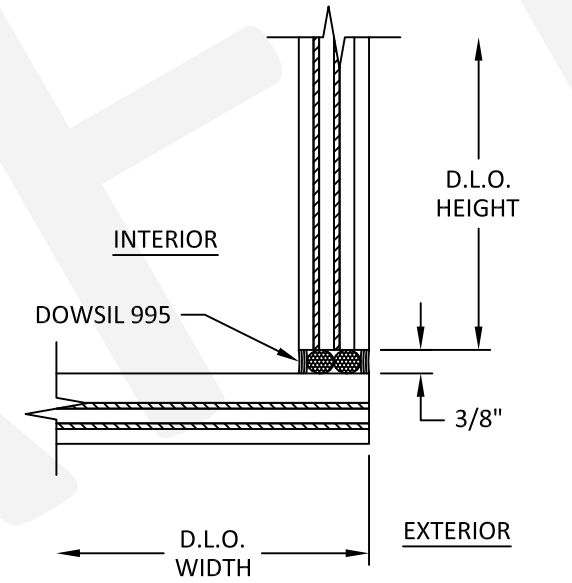
TITLE: VISTA TL (THIN LINE) WINDOW WALL (WZ3) (IMPACT)  
HORIZONTAL SECTIONS  
PREPARED BY: **BUILDING DROPS, INC.**  
1900 NE MIAMI COURT, SUITE 2-15  
MIAMI, FL 33132  
PH: (954) 399-8478  
FAX: (954) 744-4738  
WEB: www.buildingdrops.com



**C**  
**7** HORIZONTAL SECTION  
JAMB



**D**  
**7** HORIZONTAL SECTION  
BUTT JOINT



**E**  
**7** HORIZONTAL SECTION  
90° OUTSIDE CORNER

REMARKS	BY	DATE
CORNER ADDITION	MS	05/12/2025

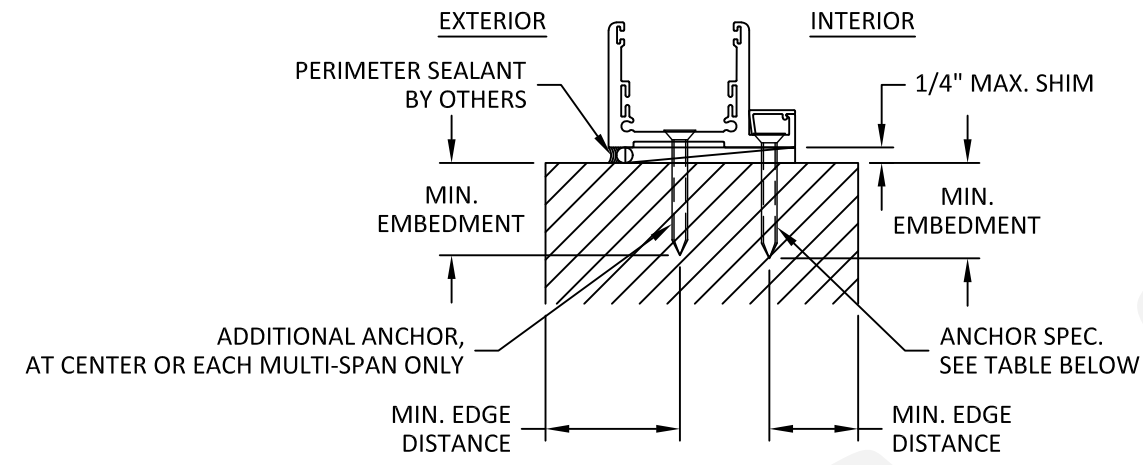
THE INSTALLATION DETAILS DESCRIBED HEREIN ARE GENERIC AND MAY NOT REFLECT ACTUAL CONDITIONS FOR A SPECIFIC SITE. IF SITE CONDITIONS CAUSE INSTALLATION TO DEVIATE FROM THE REQUIREMENTS DETAILED HEREIN, A LICENSED ENGINEER OR ARCHITECT SHALL PREPARE SITE SPECIFIC DOCUMENTS FOR USE WITH THIS DOCUMENT.

HERMES F. NORERO, P.E.  
FLORIDA P.E. No 73778  
BUILDING DROPS, INC  
1900 NE MIAMI COURT, SUITE 2-15  
MIAMI, FL 33132  
FBPE CERT. OF AUTHORIZATION No. 29578

FL #:	<b>FL47174</b>
DATE:	<b>12.04.2024</b>
DWG. BY:	<b>MS</b>
CHK. BY:	<b>HFN</b>
SCALE:	<b>NTS</b>
DWG. #:	<b>EWS047</b>
SHEET:	<b>7</b>

c:\users\msun\building\_drops - common\projects\euro-wall - common\projects\euro-wall - corner revision\dwgs\ews047.dwg 6/16/2025 1:31 PM

EURO-WALL, LLC  
P.O. BOX 8007  
NORTH PORT, FL 34290  
PH: (888) 9892-3876



**F**  
**8** **INSTALLATION DETAILS**  
SILL SHOWN  
HEAD & JAMB SIMILAR

**INSTALLATION NOTES:**

1. ONE (1) INSTALLATION ANCHOR IS REQUIRED AT EACH ANCHOR LOCATION.
2. THE NUMBER OF INSTALLATION ANCHORS DEPICTED IS THE MINIMUM NUMBER OF ANCHORS TO BE USED FOR PRODUCT INSTALLATION OF THE MAXIMUM SIZE LISTED.
3. INSTALL INDIVIDUAL INSTALLATION ANCHORS WITHIN A TOLERANCE OF  $\pm 1/4$  INCH THE DEPICTED LOCATION & SPACING IN THE ANCHOR LAYOUT DETAILS (I.E., WITHOUT CONSIDERATION OF TOLERANCES). TOLERANCES ARE NOT CUMULATIVE FROM ONE INSTALLATION ANCHOR TO THE NEXT.
4. SHIM AS REQUIRED AT EACH INSTALLATION ANCHOR WITH LOAD BEARING SHIM(S). MAXIMUM ALLOWABLE SHIM STACK TO BE 1/4 INCH. SHIM WHERE SPACE OF 1/16 INCH OR GREATER OCCURS. SHIM(S) SHALL BE CONSTRUCTED OF HIGH DENSITY PLASTIC OR BETTER.
5. FOR MASONRY OR CONCRETE OPENINGS, A 1X WOOD BUCK MAY BE USED (OPTIONAL) AS LONG AS THE MINIMUM EMBEDMENT AND EDGE DISTANCE REQUIREMENTS ARE STILL MET WITHIN THE CORRESPONDING HOST SUBSTRATE. SEE GENERAL NOTE #3 ON SHEET 1 FOR MORE INFORMATION.
6. MINIMUM EMBEDMENT AND EDGE DISTANCE EXCLUDE WALL FINISHES, INCLUDING BUT NOT LIMITED TO STUCCO, FOAM, BRICK VENEER, AND SIDING.
7. INSTALLATION ANCHORS AND ASSOCIATED HARDWARE MUST BE MADE OF CORROSION RESISTANT MATERIAL OR HAVE A CORROSION RESISTANT COATING.
8. FOR HOLLOW BLOCK AND GROUT FILLED BLOCK, DO NOT INSTALL INSTALLATION ANCHORS INTO MORTAR JOINTS. EDGE DISTANCE IS MEASURED FROM FREE EDGE OF BLOCK OR EDGE OF MORTAR JOINT INTO FACE SHELL OF BLOCK.
9. INSTALLATION ANCHORS SHALL BE INSTALLED IN ACCORDANCE WITH ANCHOR MANUFACTURER'S INSTALLATION INSTRUCTIONS AND ANCHORS SHALL NOT BE USED IN SUBSTRATES WITH STRENGTHS LESS THAN THE MINIMUM STRENGTH SPECIFIED BY THE ANCHOR MANUFACTURER.

ANCHOR SCHEDULE			
SUBSTRATE	ANCHOR TYPE	MIN. EMBEDMENT	MIN. EDGE DISTANCE
WOOD: MIN. S.G. = 0.55	#14 WOOD SCREW	1-1/2"	1"
STEEL: MIN. 16 GA. MIN. Fy = 33 ksi	1/4" GRADE 5 SELF-DRILLING/ SELF-TAPPING SCREW	3 THREADS MIN PENETRATION BEYOND METAL	1/2"
ALUMINUM: MIN. 1/8" THICK MIN. 6063-T5			
CONCRETE: MIN. f'c = 3000 psi	1/4" ITW TAPCON	1-3/4"	2-1/2"

TITLE: VISTA TL (THIN LINE) WINDOW WALL (WZ3) (IMPACT)  
INSTALLATION DETAILS & NOTES  
PREPARED BY: BUILDING DROPS, INC.  
1900 NE MIAMI COURT, SUITE 2-15  
MIAMI, FL 33132  
PH: (954) 399-8478  
FAX: (954) 744-4738  
WEB: www.buildingdrops.com

REMARKS	BY	DATE
CORNER ADDITION	MS	05/12/2025

THE INSTALLATION DETAILS DESCRIBED HEREIN ARE GENERIC AND MAY NOT REFLECT ACTUAL CONDITIONS FOR A SPECIFIC SITE. IF SITE CONDITIONS CAUSE INSTALLATION TO DEVIATE FROM THE REQUIREMENTS DETAILED HEREIN, A LICENSED ENGINEER OR ARCHITECT SHALL PREPARE SITE SPECIFIC DOCUMENTS FOR USE WITH THIS DOCUMENT.

HERMES F. NORERO, P.E.  
FLORIDA P.E. No 73778  
BUILDING DROPS, INC.  
1900 NE MIAMI COURT, SUITE 2-15  
MIAMI, FL 33132  
FBPE CERT. OF AUTHORIZATION No. 29578

FL #: **FL47174**  
DATE: **12.04.2024**  
DWG. BY: **MS**      CHK. BY: **HFN**  
SCALE: **NTS**  
DWG. #: **EWS047**  
SHEET: **8**  
OF 8