



# Vista CT™



**THERMALLY BROKEN  
IMPACT & NON-IMPACT RATED**  
Casement Window System



#FL47078  
V2. 032026

# A New Window on the World



Introducing Vista CT™, a cutting-edge, thermally broken window system by Euro-Wall that combines strength, versatility, and effortless operation. Designed to enhance both residential and commercial spaces, Vista CT™ is the first operable window in Euro-Wall's lineup, engineered for larger and more robust applications than typical window systems. Our innovative Mull-Link™ system eliminates the need for anchors or clips at the mull location for multi window applications. In combination with Euro-Wall's folding, sliding, pivot and direct set fixed windows, the Vista CT™ enables whole home packages from Euro-Wall as a single source provider.

**With Euro-Wall's signature white-glove sales and installation support, Vista CT™ redefines ease of use, durability, and performance for any space.**

## Features & Benefits

### **Uniform Aesthetics**

Design complete, whole-home packages using our door and window systems for a harmonious appearance.

### **Larger & Stronger Window Capabilities**

Enjoy the view through thermally broken panels that are some of the largest in the industry (Up to 120" tall and up to 52" wide available).

### **Flexible Configurations**

Choose from single units or multiple units, as well as different glass options to fit your unique needs.

### **Revolutionary Mull System**

Our innovative built-in Mull-Link™ system slides on top of one another, providing a seamless aesthetic and easier install without any anchors or clips.

### **Always Here for You**

Experience our comprehensive white-glove sales and installation support, ensuring every detail is expertly handled from start to finish for a flawless, worry-free service.

## System Thresholds

### MAXIMUM / MINIMUM SPECIFICATIONS

#### SINGLE UNIT

	IMPACT RATED	NON-IMPACT RATED
MAX. SASH HEIGHT	120"	120"
MAX. SASH WIDTH	52"	52"
MIN. SASH HEIGHT	18"	18"
MIN. SASH WIDTH	18"	18"

#### MULTIPLE UNITS

	HVHZ	WZ3 & NON-IMPACT
MAX. SASH HEIGHT	96"	120"
MAX. SASH WIDTH	52"	52"
MIN. SASH HEIGHT	18"	18"
MIN. SASH WIDTH	18"	18"

**Note:** For installations in Florida, please see the Florida Product Approval (FL47078) for usage and limitations.



### 10-Year Limited Warranty

Euro-Wall warrants the products to be free from manufacturing defects for a period of 10 years.





### DESIGN PRESSURE CHART (SINGLE UNITS)

Impact, HVHZ, & WZ3

Frame Height	Frame Width				
	28	34	40	46	52
48	80	80	80	80	80
54	80	80	80	80	80
60	80	80	80	80	80
66	80	80	80	80	80
72	80	80	80	80	80
78	80	80	80	80	80
84	80	80	80	80	80
90	80	80	80	80	80
96	80	80	80	80	80
102	80	80	80	74.7	
108	80	80	71.9	62.8	
114	80	71.6	61		
120	74.3	61.3	52.3		

### DESIGN PRESSURE CHARTS (MULTIPLE UNITS)

Impact, HVHZ, & WZ3

Unit Height	Tributary Width				
	28	34	40	46	52
48	80	80	80	80	80
54	80	80	80	80	80
60	80	80	80	80	80
66	80	80	80	80	80
72	80	80	80	80	80
78	80	80	80	80	80
84	80	80	80	80	80
90	80	80	80	80	80
96	80	80	80	80	80
102	80	80	80	72.6	
108	80	79.3	68.4	60.6	
114	80	67.1	57.8		
120	68.9	57.3	49.4		

## Test Performance

Air Infiltration: ASTM E283/E283M-19

Water Infiltration: ASTM E331-00

Wind Load: TAS 202-94

Large Missile Impact: TAS 201-94

Cyclic Pressure: TAS 203-94

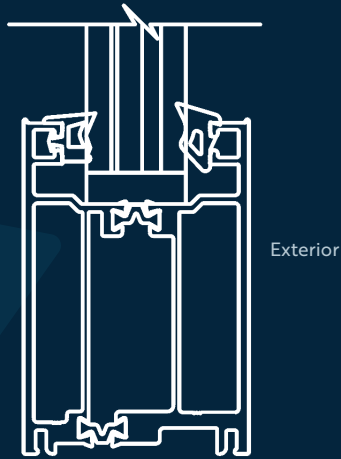
Static Pressure: TAS 202-94

Forced Entry: ASTM F588-17



#FL47078

## Glazing Details



1" IG

Sash: E0022 / E0024 / E0025

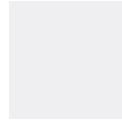
### OVERALL GLASS THICKNESS

3/4" | 1/2" | 9/16" | 1"

We can handle most any type of glass if it meets the required thickness. *Let's talk.*

## Finish Options

### STANDARD FRAME & DOOR PANEL FINISHES



White  
UC40577



Bronze  
UC91252



Black  
UC40577



Clear  
Anodized

**Note:** Standard finish is Kynar® AAMA 2605. Additional custom powder coat or Kynar® finishes available upon request.

### STANDARD INTERIOR WOOD CLAD FINISHES



Mahogany /  
Sapele

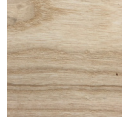


White Oak



Wood clad  
option shown

### EXOTIC INTERIOR WOOD CLAD FINISHES



Ash



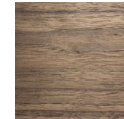
Birch



Curly Maple



Red Oak



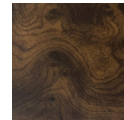
Walnut

**Note:** Additional exotic wood finish options available upon request.

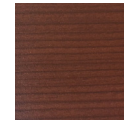
### FAUX WOODGRAIN FINISHES



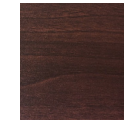
Aspen



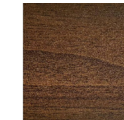
Burlwood



Chesnut Cherry



Cinnamon Red



Dark Walnut



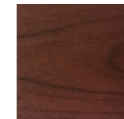
English Oak



Hazelnut Brown



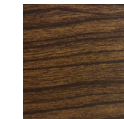
Honey Pine



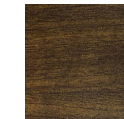
Mahogany Red



Natura



Teak

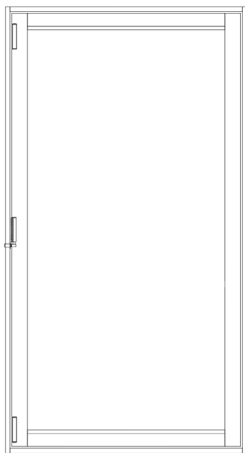


Walnut Brown

**Note:** A faux woodgrain finish is a powder coat with die sublimation to an AAMA 2604 finish qualification. Additional faux woodgrain options available upon request. The colors shown are an approximation of actual colors and finishes, actual finishes may vary slightly.

Note: 9/16" Glass shown.

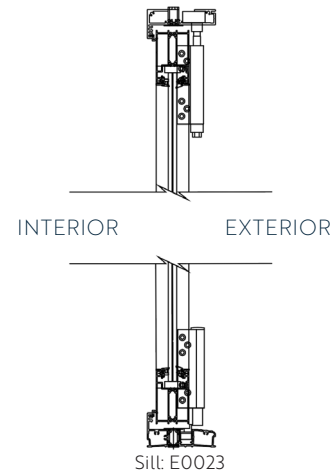
## Single Unit CAD details



Exterior Front Elevation

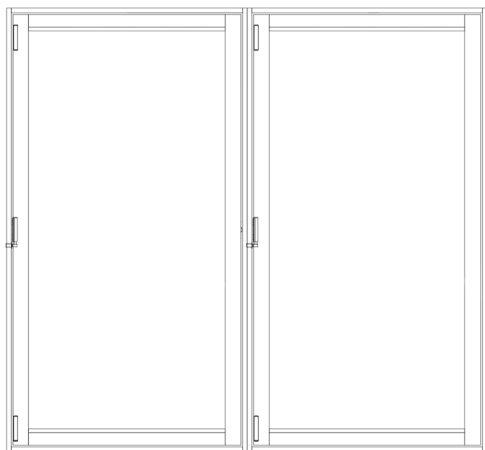


Top Down Cross Section

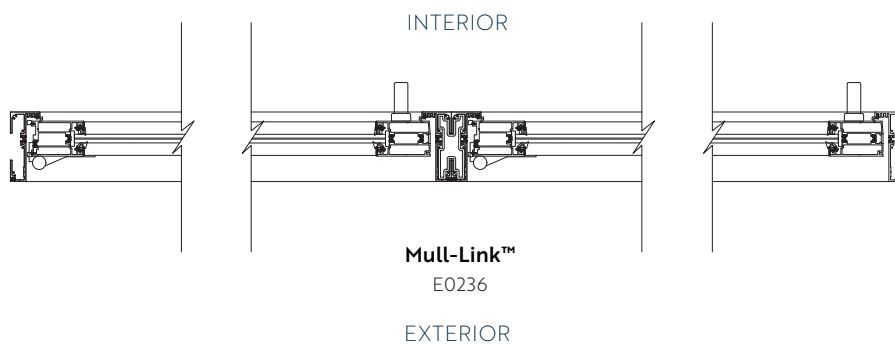


Vertical Cross Section

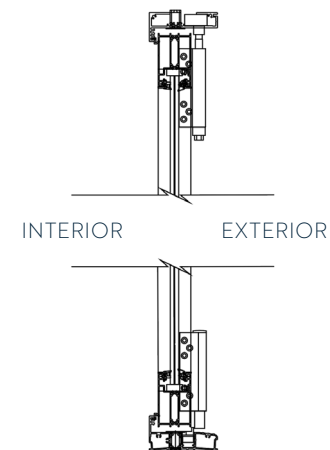
## Multi-Unit CAD details



Exterior Front Elevation



Top Down Cross Section



Vertical Cross Section



euro-wall.com



**American**  
CRAFTSMANSHIP

**MANUFACTURING & SHOWROOM**

2200 Murphy Ct.  
North Port, FL 34289  
888.989.EURO (3876)

**SHOWROOM**

1211 Stirling Rd., Unit 102,  
Dania Beach, FL 33004  
941.979.5316

EURO-WALL UNLOCKS *breathtaking perspectives*  
THROUGH THE *largest, strongest* DOOR & WINDOW  
SYSTEMS WITH THE MOST DESIGN OPTIONS – ALL  
BACKED BY *enjoyable, personal* SUPPORT – FOR A *superior*  
*experience* FROM OPEN TO CLOSE.



© 2026 Euro-Wall, LLC. Unless Otherwise noted, all proprietary names are trademarks of Euro-Wall. All rights reserved.

