

EURO VISTA MULTI SLIDE™ IMPACT RATED ALUMINUM SLIDING DOORS



Vista Multi Slide™ stands out, whether you need strong impact ratings for hurricane regions or non-impact options for inland construction. When you combine the largest panel heights and widths with the smallest interlock sight line (less than 1”), you get bigger views, bigger support and bigger possibilities. The massive, gliding panels open and close effortlessly thanks to the EZ Glide roller system. The sill can be embedded flush with the finished floor for a clean, seamless transition.

FL 34003

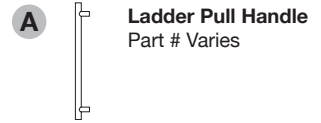
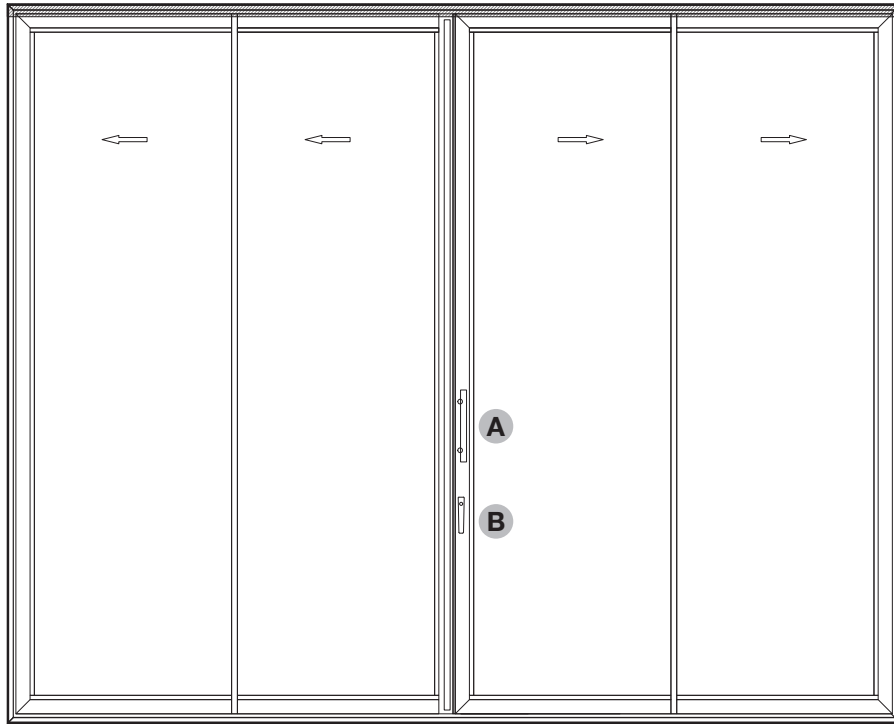


PANEL MINIMUM / MAXIMUM

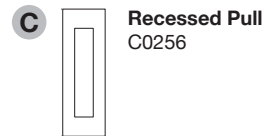
Max Panel Weight:	800 lbs	Min Panel Height:	32”
Min Panel Width:	24”	Max Panel Height:	168”
Max Panel Width:	84”	Max # of Panels:	8

OVERVIEW DIAGRAM

Interior View



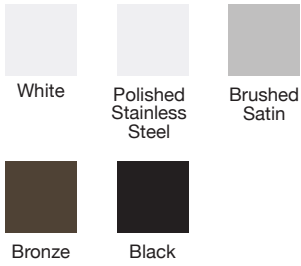
Exterior View



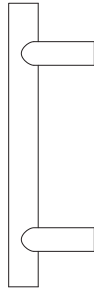
HANDLES

Ladder Pull Handles

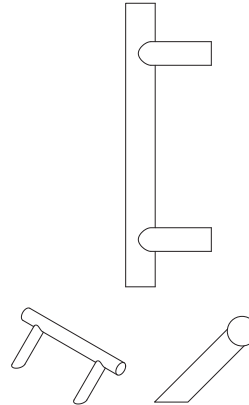
*Part number varies
Standard 12" | Custom up to 72" nominal



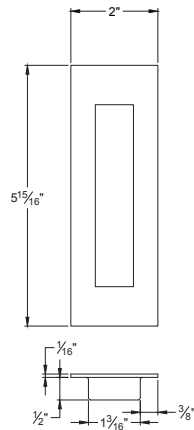
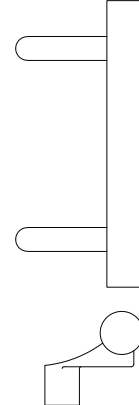
Straight Ladder Pull



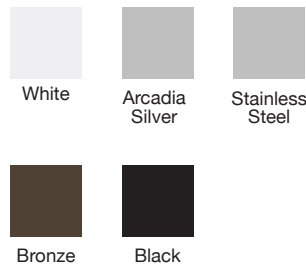
45° Ladder Pull



Offset Ladder Pull

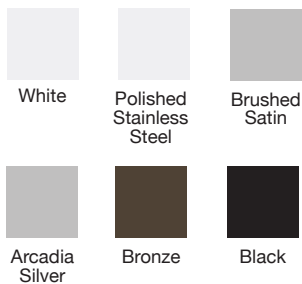


**Recessed Pull
C0256**

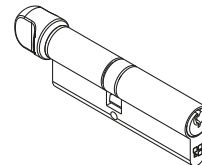


LOCKS

**Locking Lever
C0061**



**Keyed Locking Lever Cylinder
C0216**

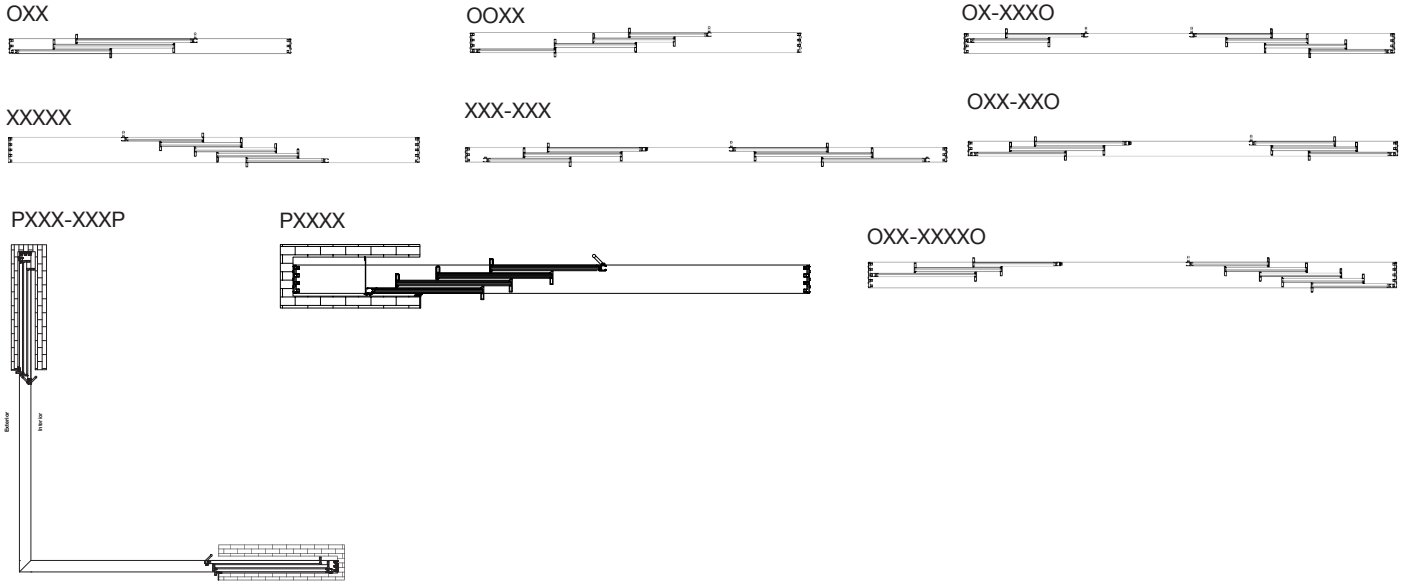


62mm Double Sided
Key / Thumb Turn
Use: Keyed systems for exterior access
Finish: Raw

CONFIGURATIONS

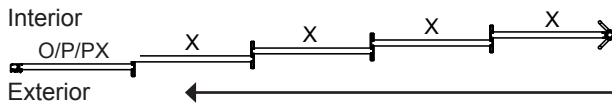
NOTE: These configurations are just a few examples of the numerous possibilities for Euro Vista Multi Slide™ layout options. For installations in Florida, see the Florida Product Approval.

O = FIXED PANEL
X = ACTIVE PANEL
P = POCKET WALL (NOT PANEL)

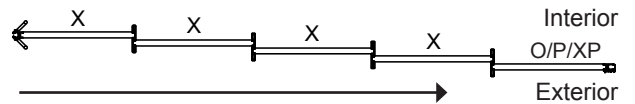


ORIENTATION

Standard Left Component

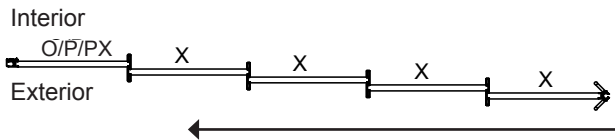


Standard Right Component

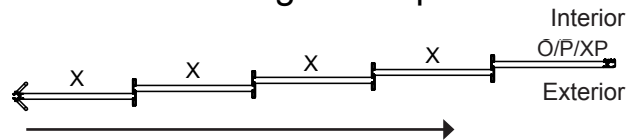


Outside/exterior pockets are always reversed stacks.

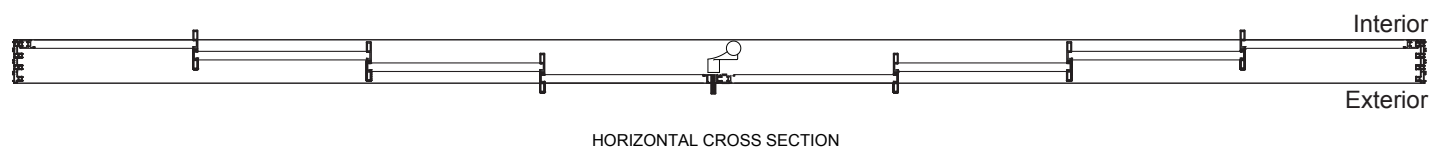
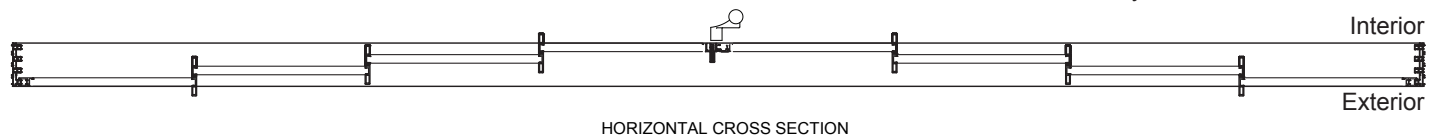
Reverse Left Component



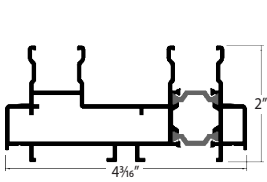
Reverse Right Component



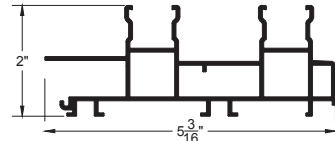
Centermeet System *Offset Ladder Pull Only



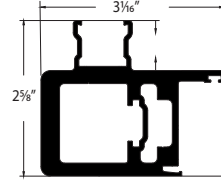
EXTRUSION PROFILES



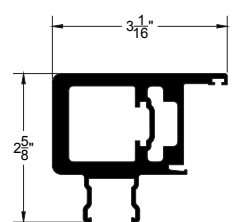
2 Track
E0015



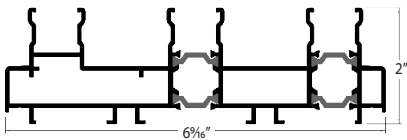
2 Track Add-On
E0167



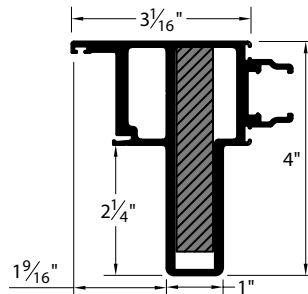
Outside Corner Astragal
E0014



Inside Corner Astragal
E0124



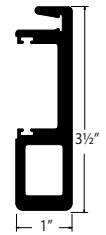
3 Track
E0016



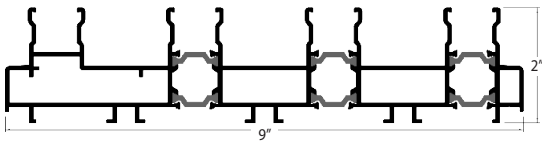
Center Meet Astragal
E0094



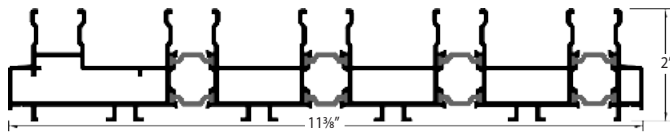
Interlock
E0009



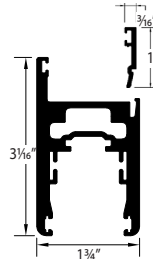
SLIM-LOCK Interlock
(optional, non-impact)
E0240



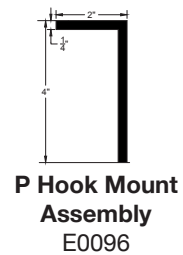
4 Track
E0018



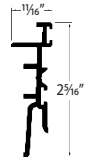
5 Track
E0019



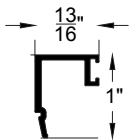
Sash & Glazing Bead
Sash: E0008
1 1/4" Bead: E00644



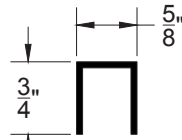
P Hook Mount Assembly
E0096



P Hook
E0011



9/16" Bead Combo
E0093



9/16" Reducer Bar
E0065



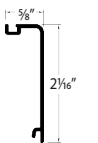
Snap Track
E0012



Jamb / Header Trim
E0013



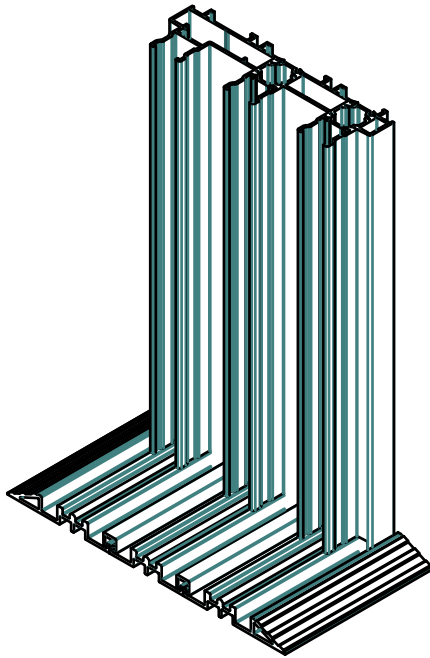
Condensation Drain
E0040



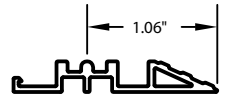
End Cap
E0039

MULTI SLIDE ADA SILL OPTION

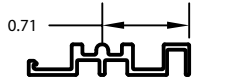
Anodized Only



(E0121) Outer Track Sloped Option



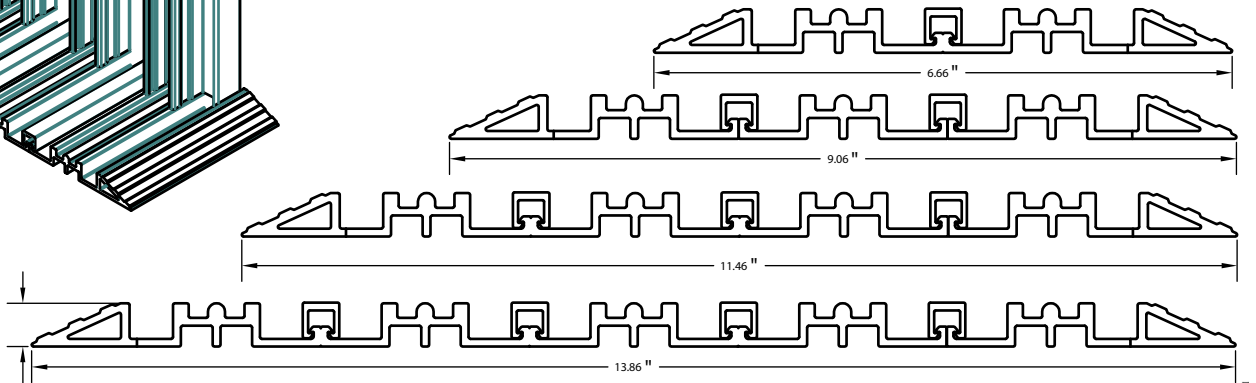
(E0125) Outer Track Square Option



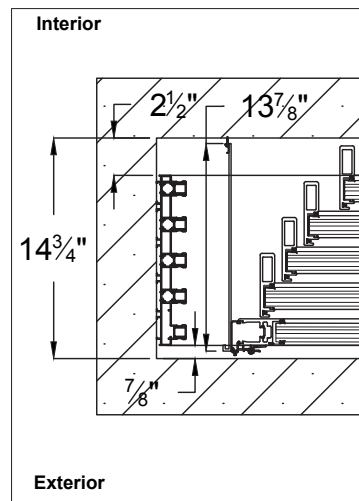
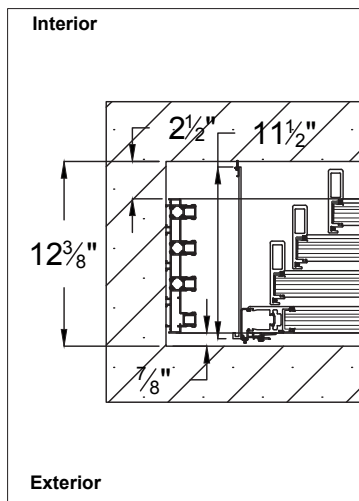
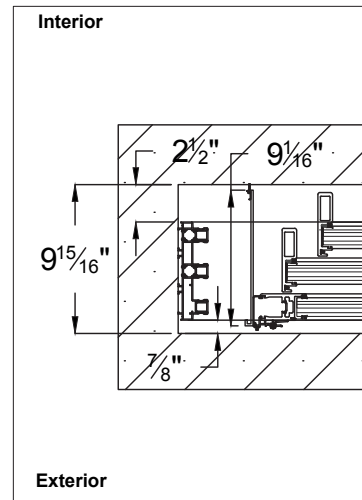
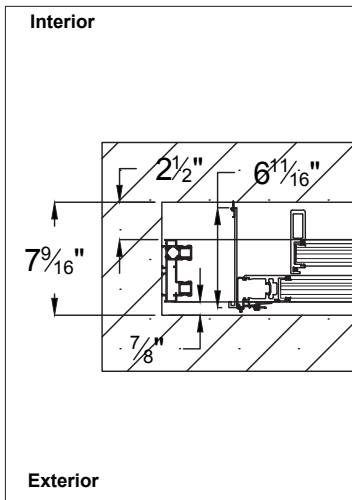
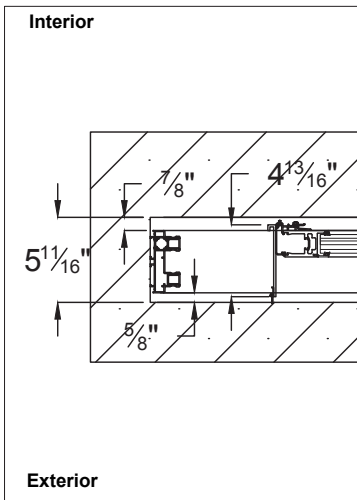
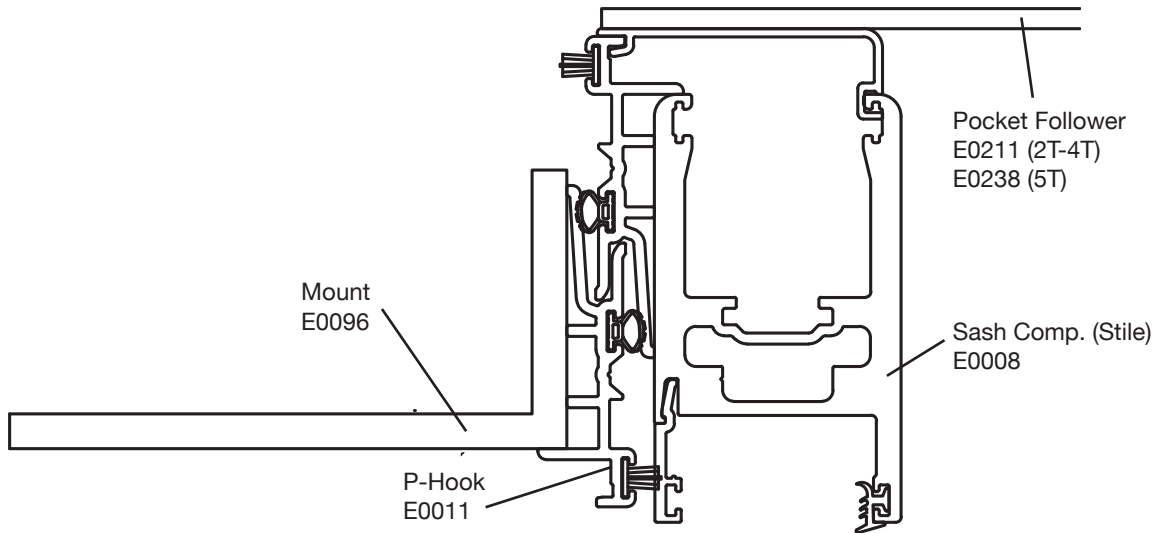
(E0122) Inner Track



(E0123) Cover



POCKETS



FINISH OPTIONS

Standard Finishes



White Clear Anodized Bronze Black

Standard Wood Finishes



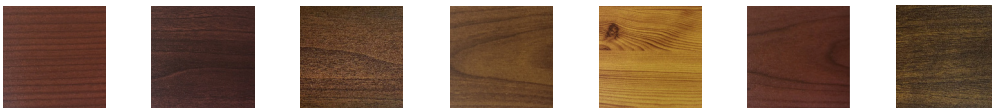
Mahogany / Sapele White Oak

Exotic Wood Finishes



Ash Birch Curly Maple Red Oak Walnut Zebrawood

Faux Wood Grain Finishes

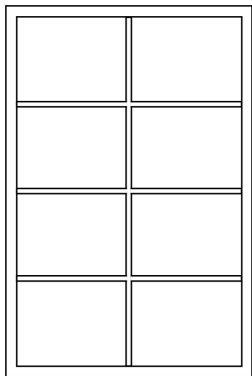


Chesnut Cherry Cinnamon Red Dark Walnut Hazelnut Brown Honey Pine Mahogany Red Walnut Brown

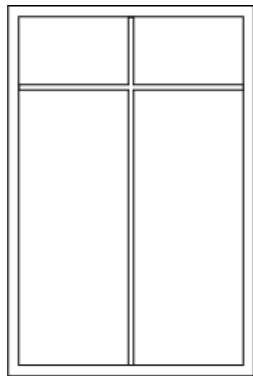
NOTE: All Interior wood clad veneer products should be properly finished or sealed within 36 hours of delivery or stored in a climate controlled space until it can be properly finished or sealed.

COMMON GRID & MUNTIN OPTIONS

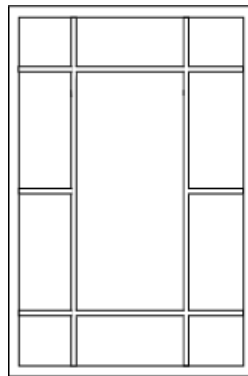
These muntin configurations are just a few examples of the numerous possibilities. All configurations are available in aluminum or wood.



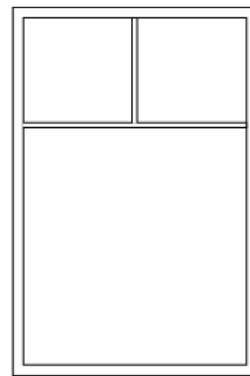
Traditional Grid



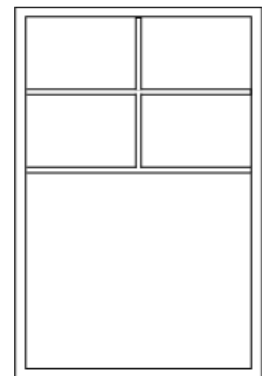
Cross Grid



English Grid



Ladder



Double Ladder

3/4" Flat Muntin E0068

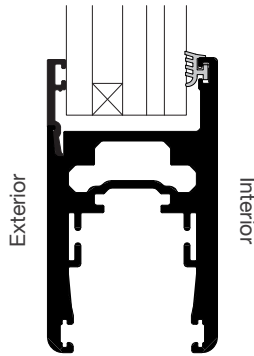


Additional muntin, and midrail options, available upon request.

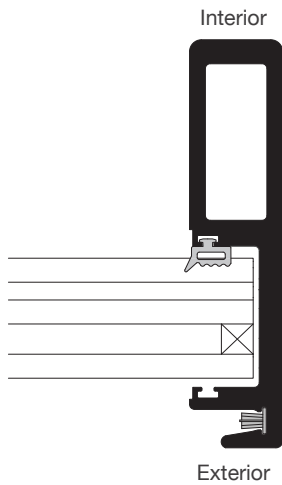
GLAZING DETAILS

1 1/4" Insulated Impact Glass

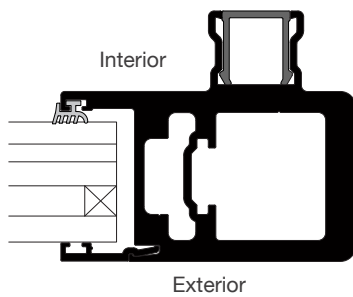
Sash & Glazing Bead



Interlock

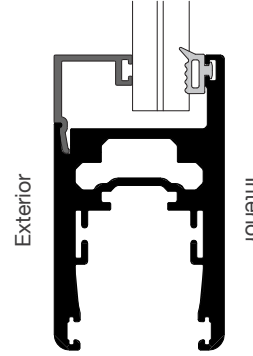


MS Corner Astragal (Outside)

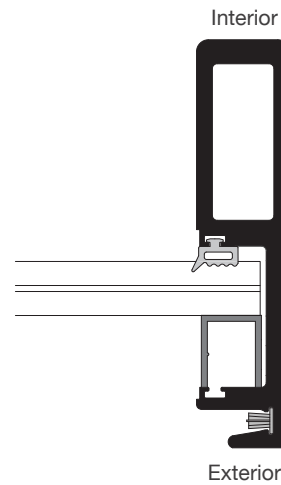


9/16" Monolithic Impact Glass

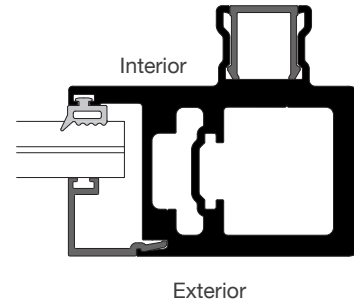
Sash & Glazing Bead



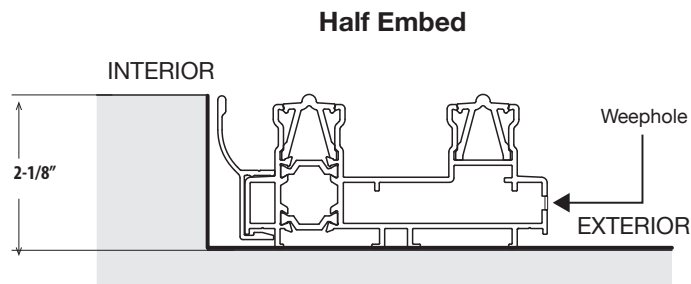
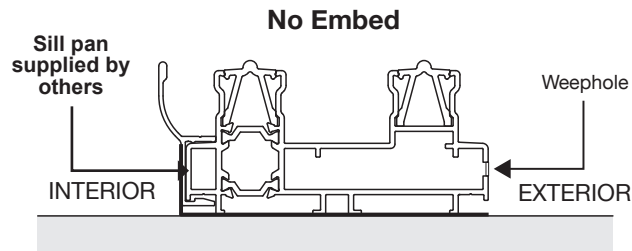
Interlock



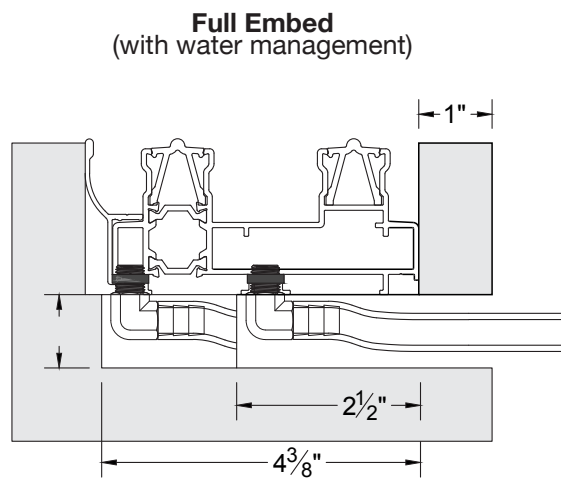
MS Corner Astragal (Outside)



EMBED OPTIONS

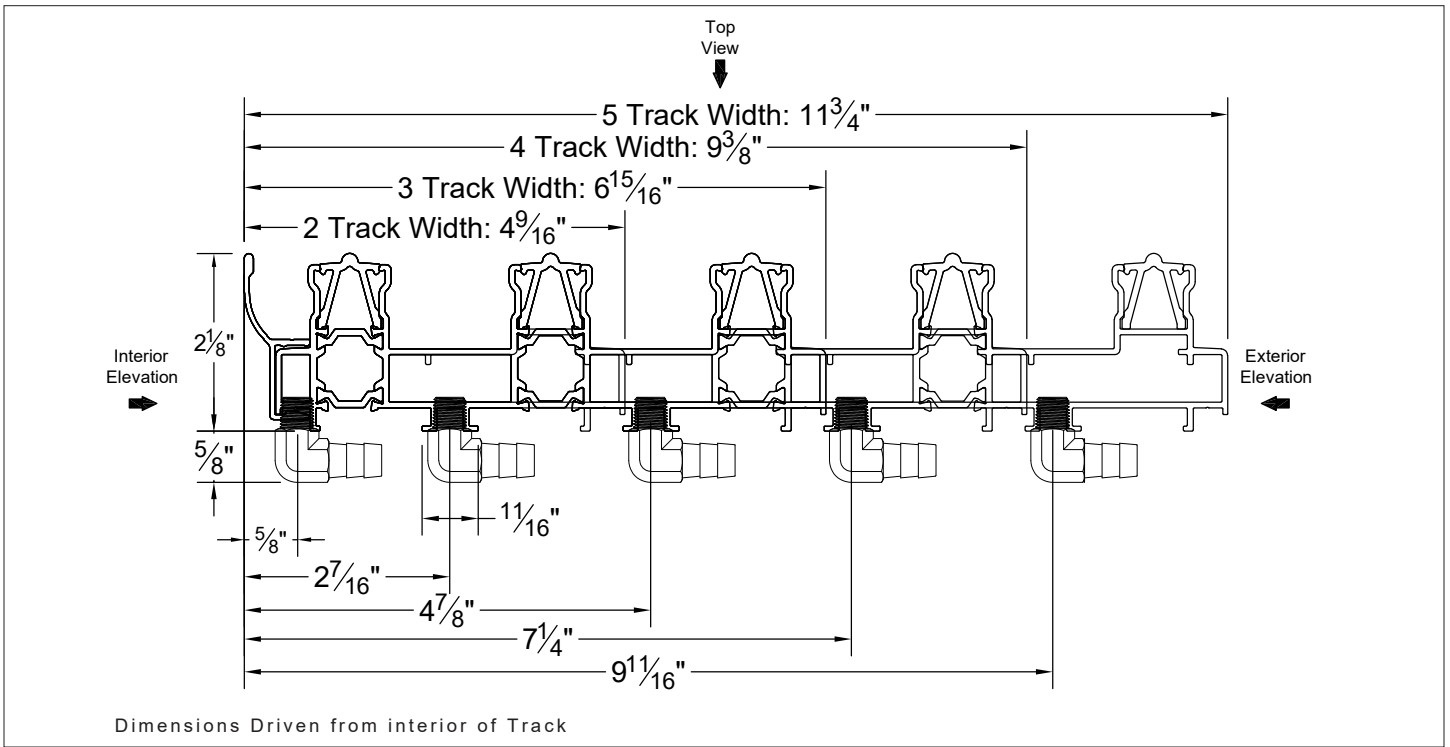


NOTE: Exterior slope must be 1" drop in elevation for every linear foot

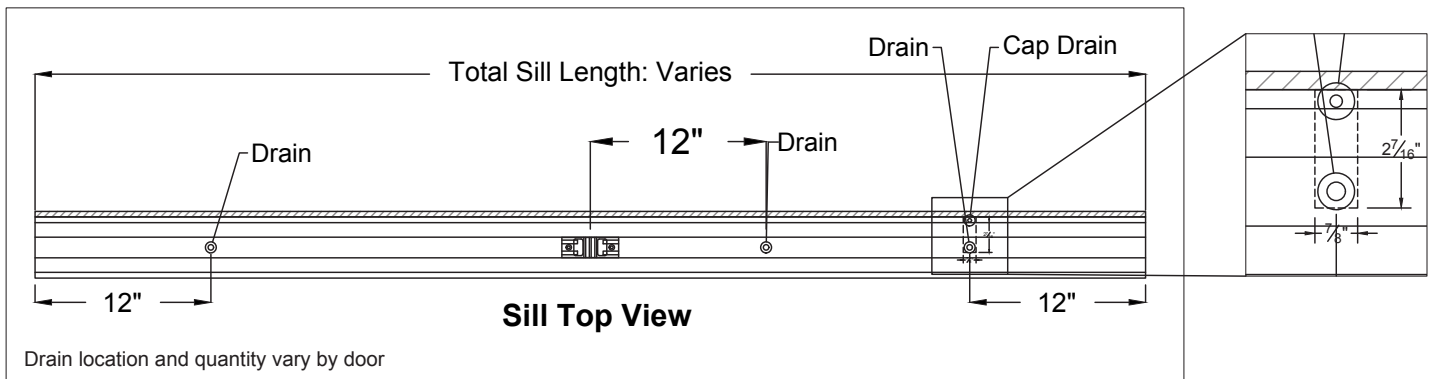
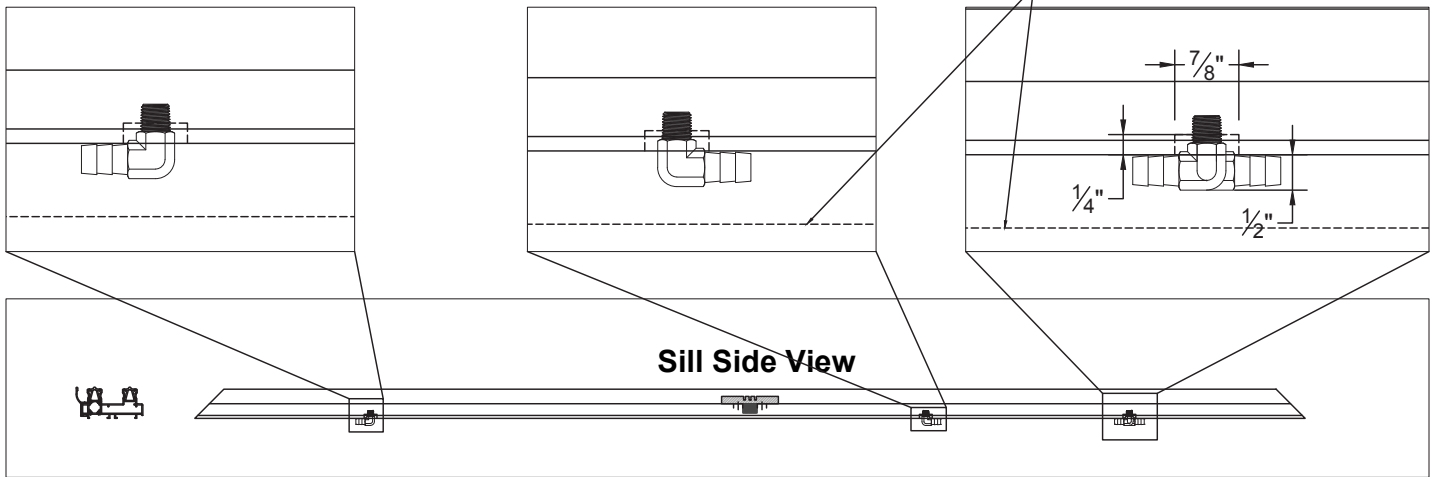


WATER MANAGEMENT

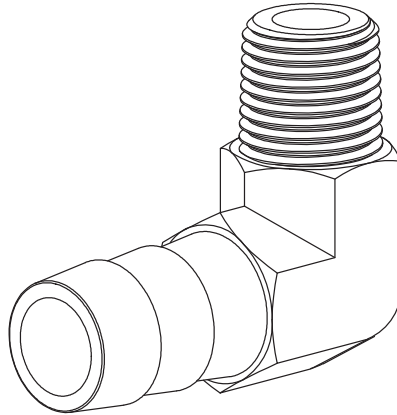
Full Embed MS | Water Management System



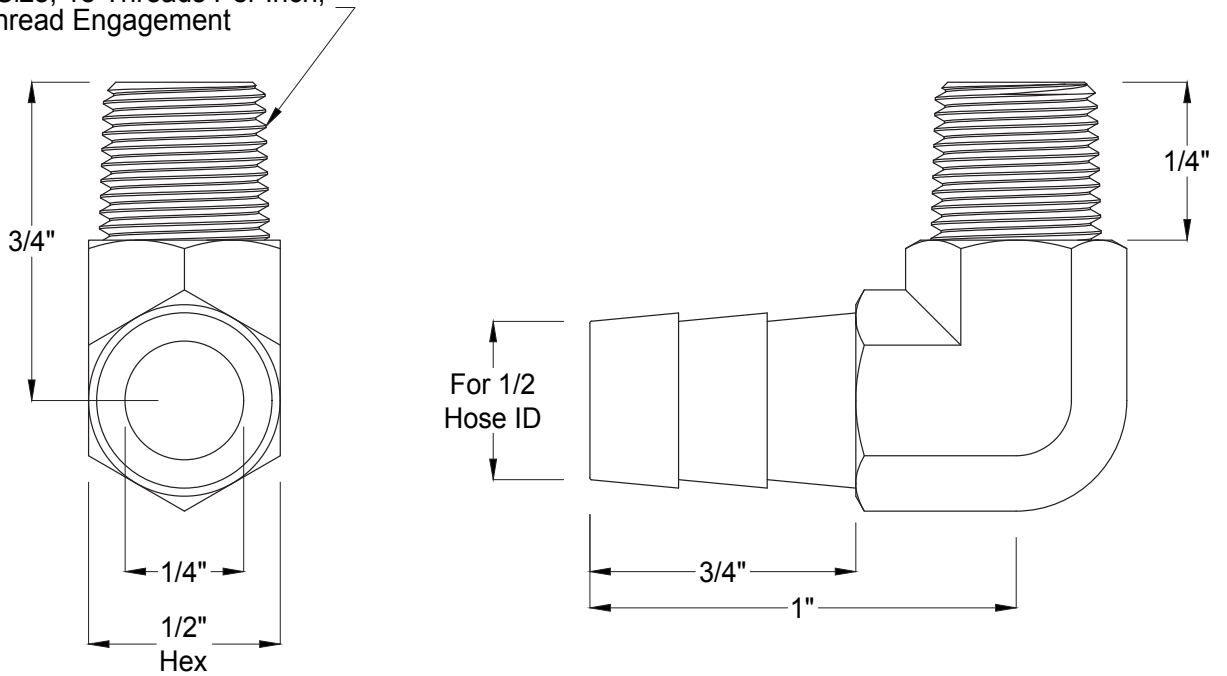
For fully embedded applications, trench / dap-out to a minimum depth of 1" to allow for drainage tube clearance.



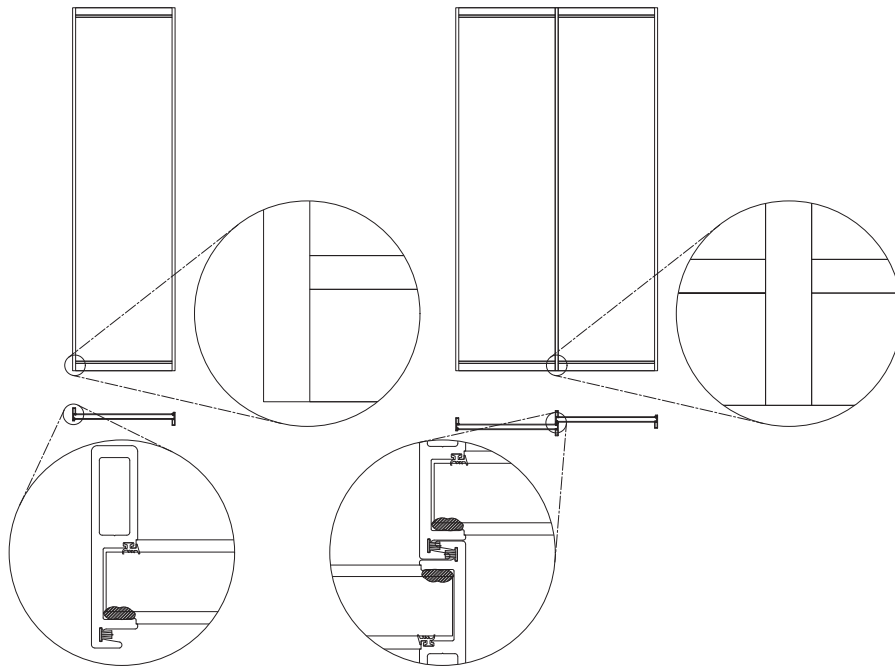
**Full Embed MS
Water Management System**



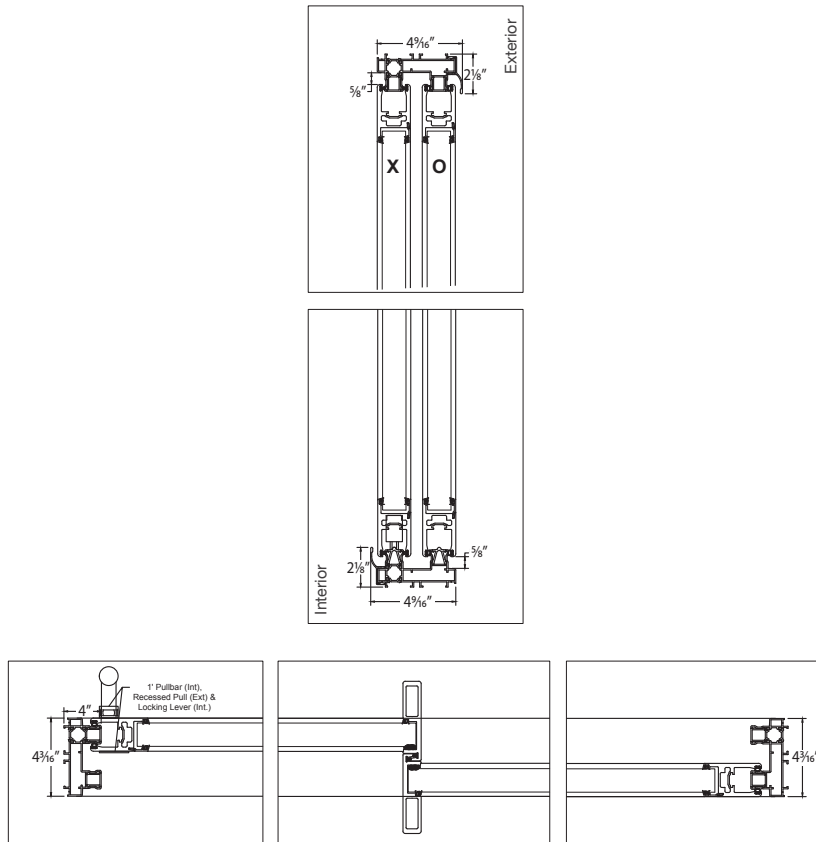
1/4 NPTF Pipe Size, 18 Threads Per Inch,
0.40" Thread Engagement



INTERLOCK DETAILS



ELEVATION DETAILS



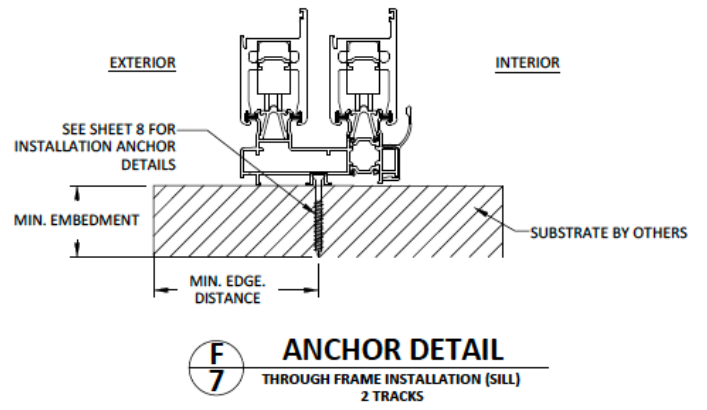
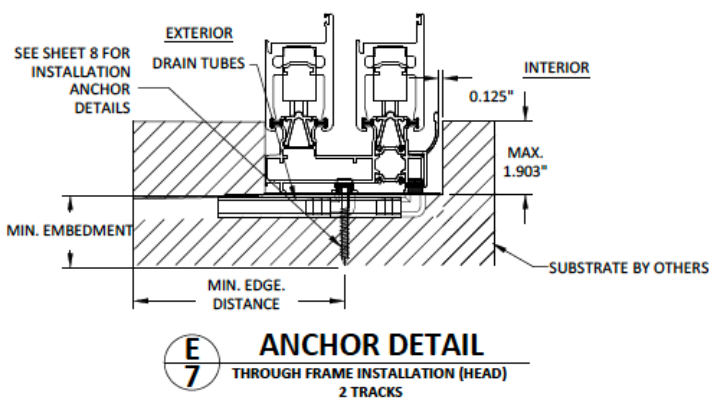
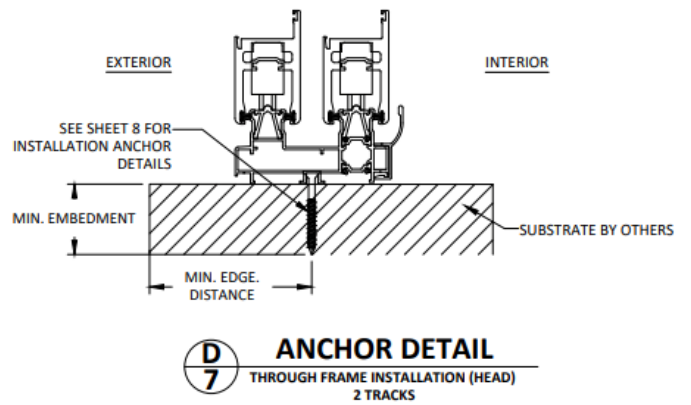
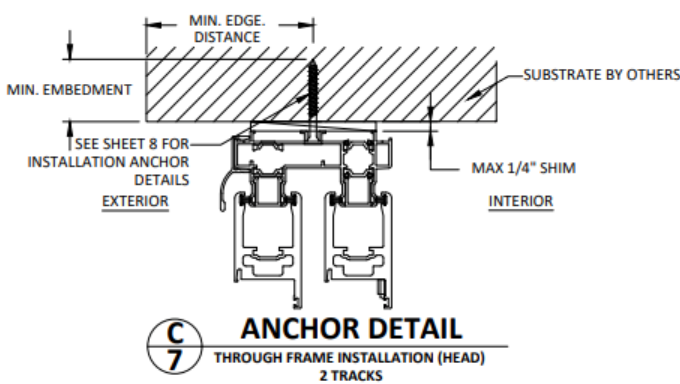
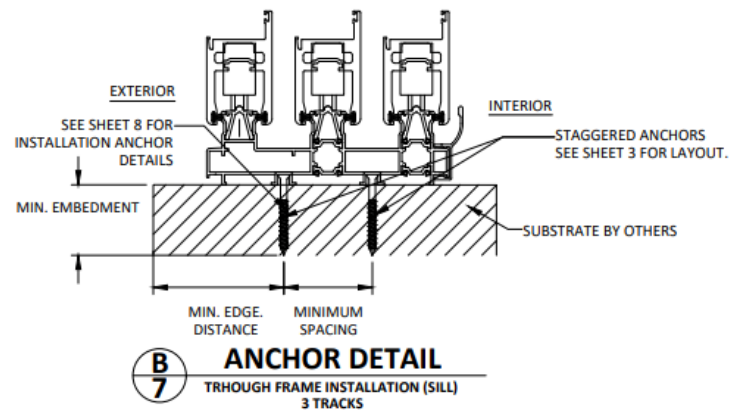
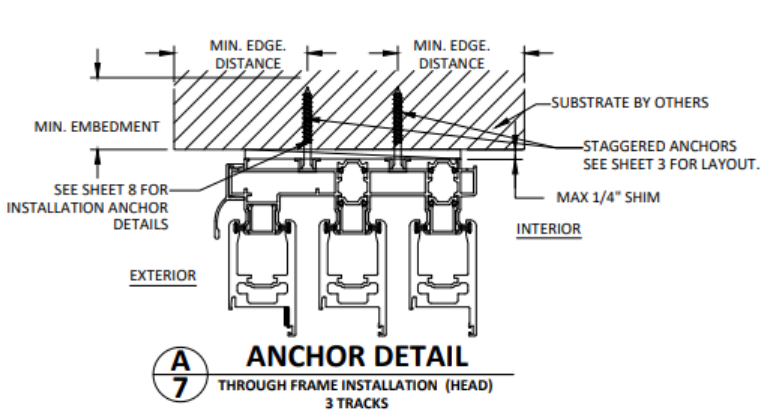
ANCHOR DETAILS

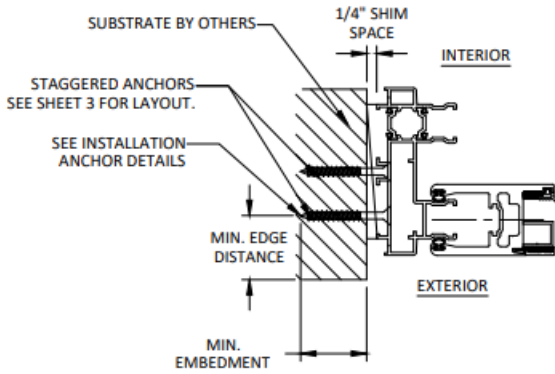
Anchor Installation Notes

1. One installation anchor is required at each anchor location shown unless specified in the anchor schedule. Two installation anchors at the jambs.
2. The number of installation anchors depicted is the minimum number of anchors to be used for product installation of the maximum size listed.
3. Install individual installation anchors within a tolerance of $\pm 1/2$ " the depicted location & spacing in the anchor layout details. (I.E., without consideration of tolerances). Tolerances are not cumulative from one installation anchor to the next.
4. Shim as required at each installation anchor with load bearing shim(s). Maximum allowable shim stack to be $1/4$ ". Shim where space of $1/16$ " or greater occurs. Shim(s) shall be constructed of high density plastic or better.
5. For masonry or concrete openings, 1x wood buck may be used (optional as long as the minimum embedment and edge

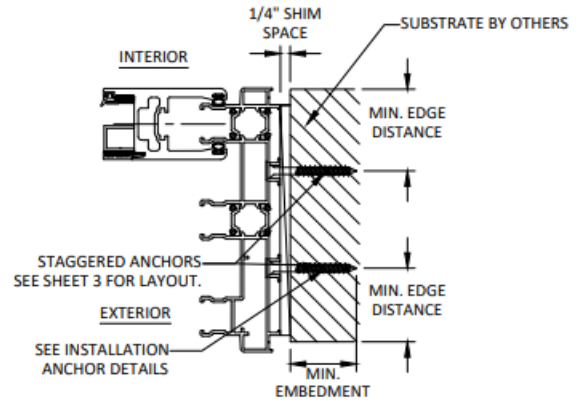
- distance requirements are still met within the corresponding host substrate).
6. Minimum embedment and edge distance exclude wall finishes, including but not limited to stucco, foam, brick veneer and siding.
 7. Installation anchors and associated hardware must be made of corrosion resistant material or have a corrosion resistant coating.
 8. For hollow block and grout filled block, do not install installation anchors into mortar joints. Edge distance is measured from free edge of block or edge of mortar joint into face shell of block.
 9. Installation anchors shall be installed in accordance with anchor manufacturer's installation instructions, and anchors shall not be used in substrates with strengths less than the minimum strength specified by the anchor manufacturer.

ANCHOR SCHEDULE				
METHOD	SUBSTRATE	ANCHOR SCHEDULE	MIN EMBEDMENT	MIN EDGE DISTANCE
Through Frame	Wood: Min. SG = 0.55	#14 Wood Screw	1.5"	0.75"
	Metal: 18 Gauge Steel Min. Fy= 33KSI	#12 Self Drilling or Self Tapping Screw	3 Threads Min. Penetration Beyond Metal	0.50"
	Metal: 1/8" Min. Thickens Aluminum Min. 6063-T5			
	Concrete: f'c = 3000PSI	1/4" ITW Tapcon	1.25"	2.00"
	Masonry: CMU per ASTM C90	1/4" ITW Tapcon	1.25"	2.00"



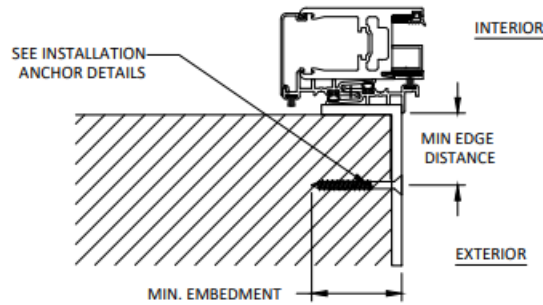


A
8 **ANCHOR DETAIL**
THROUGH FRAME (JAMB)
2 TRACK



B
8 **ANCHOR DETAIL**
THROUGH FRAME (JAMB)
3 TRACK

ANCHOR FOR WALL BRACKET TO BE LOCATED AT A MAXIMUM OF 4" FROM THE CORNER AND MAXIMUM OF 12" O.C. SPACING

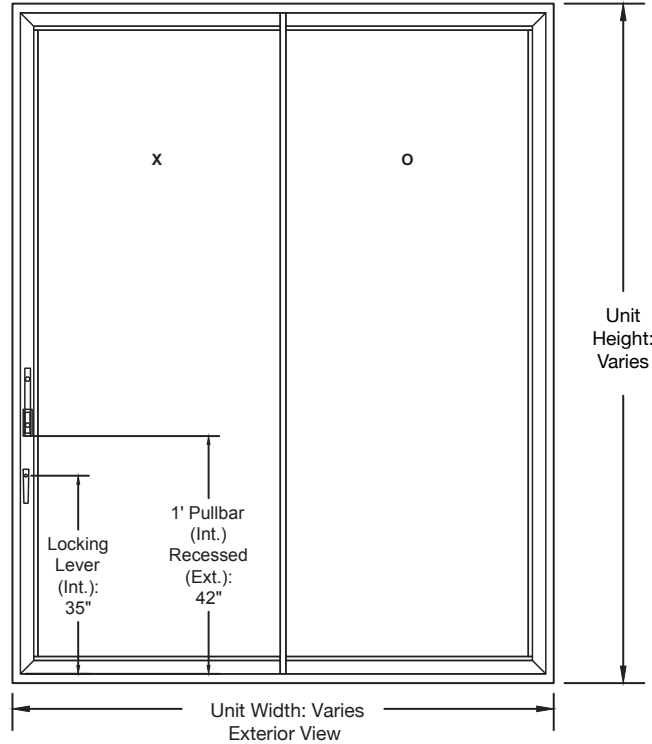


C
8 **ANCHOR DETAIL**
POCKET BRACKET INSTALLATION

XO Configuration

O = Fixed Panel
X = Active Panel

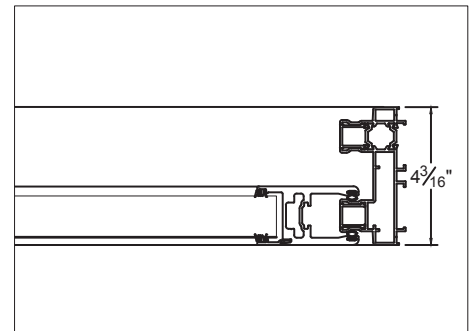
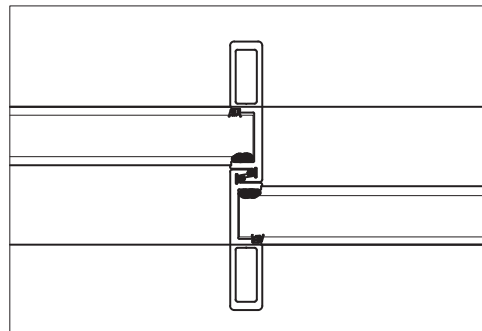
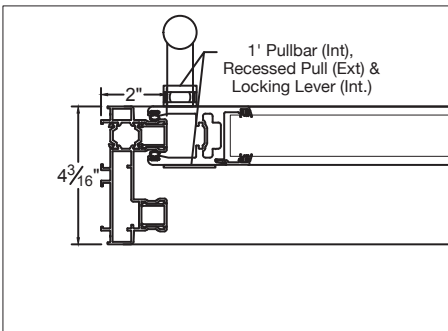
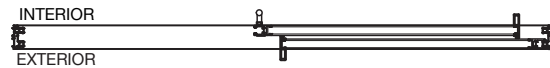
Hardware locations shown are standard. Locations may vary depending upon request or panel height.



EXTERIOR ELEVATION



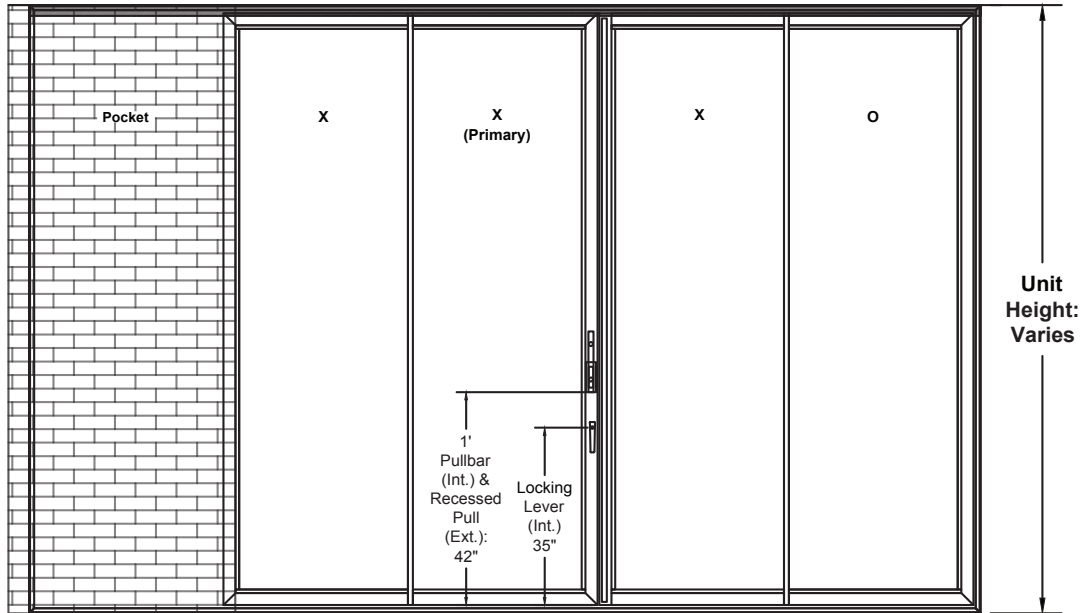
HORIZONTAL CROSS-SECTION



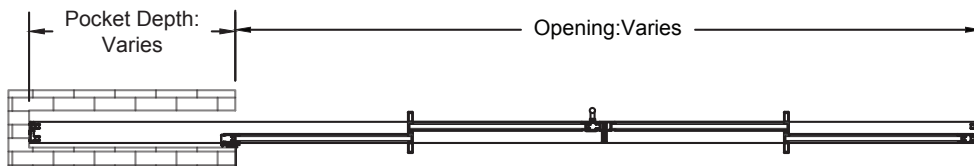
PXX-XO Configuration

O = Fixed Panel
X = Active Panel

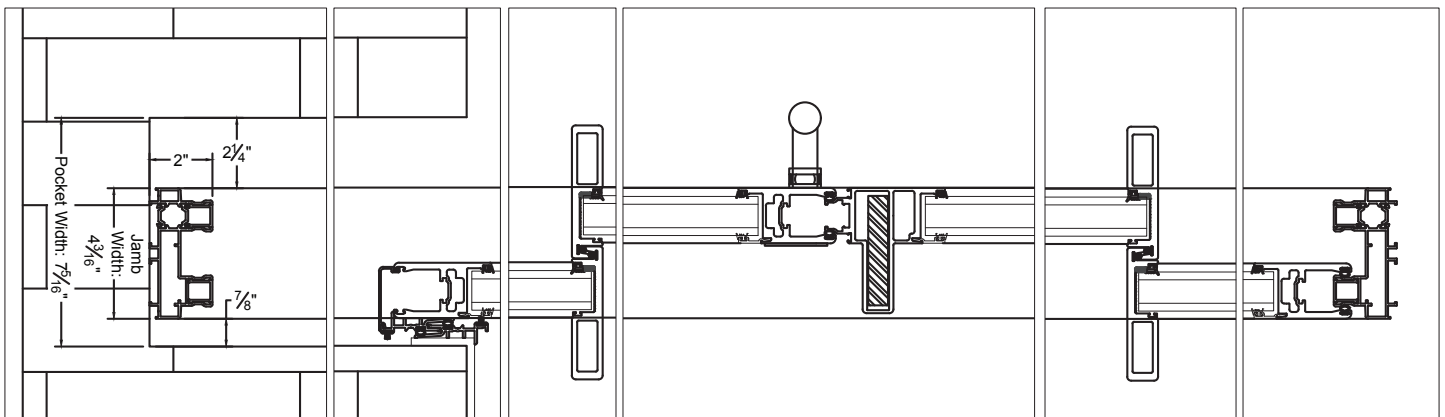
Hardware locations shown are standard. Locations may vary depending upon request or panel height.



EXTERIOR ELEVATION



HORIZONTAL CROSS SECTION



DESIGN PRESSURE CHARTS

HVHZ & Wind Zone 3

Tributary Width

	42	45	48	51	54	57	60	63	66	69	72	75	78	81	84	90	96
90	120	120	120	120	120	120	120	120	120	120	120	120	120	120	119		
92	120	120	120	120	120	120	120	120	120	120	120	120	120	115	119		
96	120	120	120	120	120	120	120	120	120	120	120	120	108	107	106		
100	120	120	120	120	120	120	120	120	120	120	120	103	101	100	99		
102	120	120	120	120	120	120	120	120	120	120	101	99	98	97	95		
104	120	120	120	120	120	120	120	120	120	120	98	96	95	94			
108	120	120	120	120	120	120	120	120	120	94.4	92.4	90.6	89				
112	120	120	120	120	120	120	120	120	91.8	89.5	87.5	85.7					
114	120	120	120	120	120	120	120	120	89.6	87.3	85.3	83.5					
116	120	120	120	120	120	120	120	89.9	87.4	85.1	83.1						
120	120	120	120	120	120	120	120	85.9	83.4	81.2	79.2						
124	120	120	120	120	117.8	112.6	84.9	82.5	79.7	77.5							
126	120	120	120	117.6	112	107.1	83.1	80.4	78								
128	120	120	118.1	112	106.6	84.4	81.4	78.8	76.4								
132	113.7	113.7	107.3	101.7	96.8	81.2	78.2	75.6									
136	103.7	103.7	97.8	92.7	81.3	78.1	75.3	72.7									
138	99.1	99.1	93.5	88.5	79.9	76.7	73.9										
140	94.8	94.8	89.4	84.7	78.5	75.3	72.5										
144	87.6	87.6	83.1	79.2	75.8	72.7	70										
150	79.8	79.8	75.2	71.1	67.6	64.4											
156	70.7	70.7	66.6	63	59.8												
162	63	63	59.3	56.1													
168	56.4	56.4	53.1	50.2													

HVHZ

WIND ZONE 3

Non-Impact

Tributary Width

	42	45	48	51	54	57	60	63	66	69	72	75	78	81	84	90	96
90	120	120	120	120	120	120	120	109.1	109.1	100	100	92.3	92.3	85.7	85.7	80	80
92	120	120	120	120	120	120	120	109.1	109.1	100	100	92.3	92.3	85.7	85.7	80	75
96	120	120	120	120	120	120	120	109.1	109.1	100	100	92.3	92.3	85.7	85.7	80	75
100	120	120	120	120	120	120	120	109.1	109.1	100	100	92.3	92.3	85.7	85.7	80	75
102	120	120	120	120	120	120	120	109.1	109.1	100	100	92.3	92.3	85.7	85.7	80	75
104	120	120	120	120	120	120	120	109.1	109.1	100	100	92.3	92.3	85.7	85.7	80	75
108	120	120	120	120	120	120	120	109.1	109.1	100	100	92.3	92.3	85.7	85.7	80	75
112	120	120	120	120	120	120	120	109.1	109.1	100	100	92.3	92.3	85.7	85.7	80	75
114	120	120	120	120	120	120	120	109.1	109.1	100	100	92.3	92.3	85.7	85.7	80	75
116	120	120	120	120	120	120	120	109.1	109.1	100	100	92.3	92.3	85.7	85.7	80	75
120	120	120	120	120	120	120	120	109.1	109.1	100	100	92.3	92.3	85.7	85.7	80	75
124	120	120	120	112	112	102.7	102.7	95.2	95.2	89.2	89.2	84.4	84.4	80.5	80.5	77.3	
126	120	120	120	112	112	102.7	102.7	95.2	95.2	89.2	89.2	84.4	84.4	80.5	80.5	77.3	
128	120	107.3	107.3	96.8	96.8	88.5	88.5	82	82	76.7	76.7	72.3	72.3	68.8	68.8	65.9	
132	120	107.3	107.3	96.8	96.8	88.5	88.5	82	82	76.7	76.7	72.3	72.3	68.8	68.8	65.9	
136	105.6	93.5	93.5	84.2	84.2	76.9	76.9	71.1	71.1	66.4	66.4	62.5	62.5	59.3	59.3		
138	105.6	93.5	93.5	84.2	84.2	76.9	76.9	71.1	71.1	66.4	66.4	62.5	62.5	59.3	59.3		
140	92.7	81.9	81.9	73.7	73.7	70	70	63.6	63.6	58.3	58.3	54.5	54.5	51.5	51.5		
144	92.7	81.9	81.9	73.7	73.7	70	70	63.6	63.6	58.3	58.3	54.5	54.5	51.5	51.5		
150	81.8	72.2	72.2	67.6	67.6	61.6	61.6	56.8	56.8	52.8	52.8	49.6	49.6				
156	72.5	66.6	66.6	59.8	59.8	54.5	54.5	50.2	50.2	46.6	46.6	43.7	43.7				
162	67.2	59.3	59.3	53.2	53.2	48.4	48.4	44.6	44.6	41.4	41.4						
168	60.2	53.1	53.1	47.6	47.6	43.3	43.3	39.8	39.8	36.9	36.9						
174	54.1	47.7	47.7	42.7	42.7	38.8	38.8										
180	48.8	43	43	38.5	38.5	34.9	34.9										

TEST PERFORMANCE RESULTS

- Approved for use in Miami-Dade HVHZ Zone
- Florida Building Code Approved
Product Approval FL 34003
- Air Infiltration: ASTM E283-04
- Water Infiltration: ASTM E331-00
- Wind Load: TAS 202-94
- Large Missile Impact: TAS 201-94
- Cyclic Load: TAS 203-94
- Forced Entry: AAMA 1303-05



EURO-WALL 10 YEAR WARRANTY

Euro-Wall warrants the products to be free from manufacturing defects for a period of 10 years from the date of purchase.

888.989.EURO (3876)

www.euro-wall.com

MANUFACTURING

2200 Murphy Court
North Port, Florida 34289
888.989.3876 • 941.979.5316



SHOWROOM

1211 Stirling Road, Unit 102,
Dania Beach, Florida 33004
954.610.2572

Proud Member of the American Architectural Manufacturers Association.

