

ARCHITECT CUT SHEET

VISTA PIVOT™ IMPACT RATED ALUMINUM DOORS

Euro-Wall's Vista Pivot™ door comes in aluminum or aluminum with wood clad. The Vista Pivot™ can be constructed to a height of 14' and a width of 8' providing solutions for non-traditional breathtaking openings. The Vista Pivot™ is a great impact rated Florida Product Approved pivot door option for any commercial or residential application.

FL 22410



PANEL MINIMUM / MAXIMUM

Max Panel Weight: 700 lbs

Min Panel Width: 36"

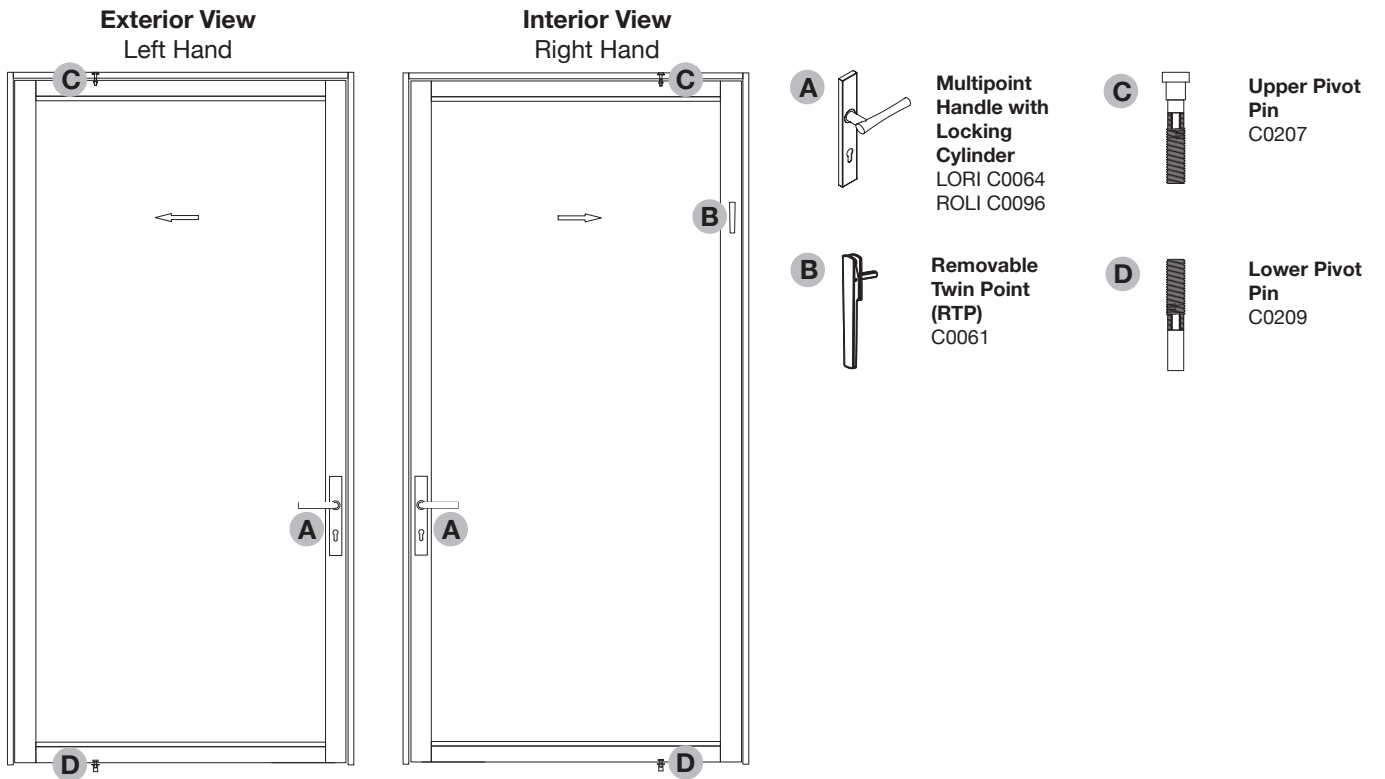
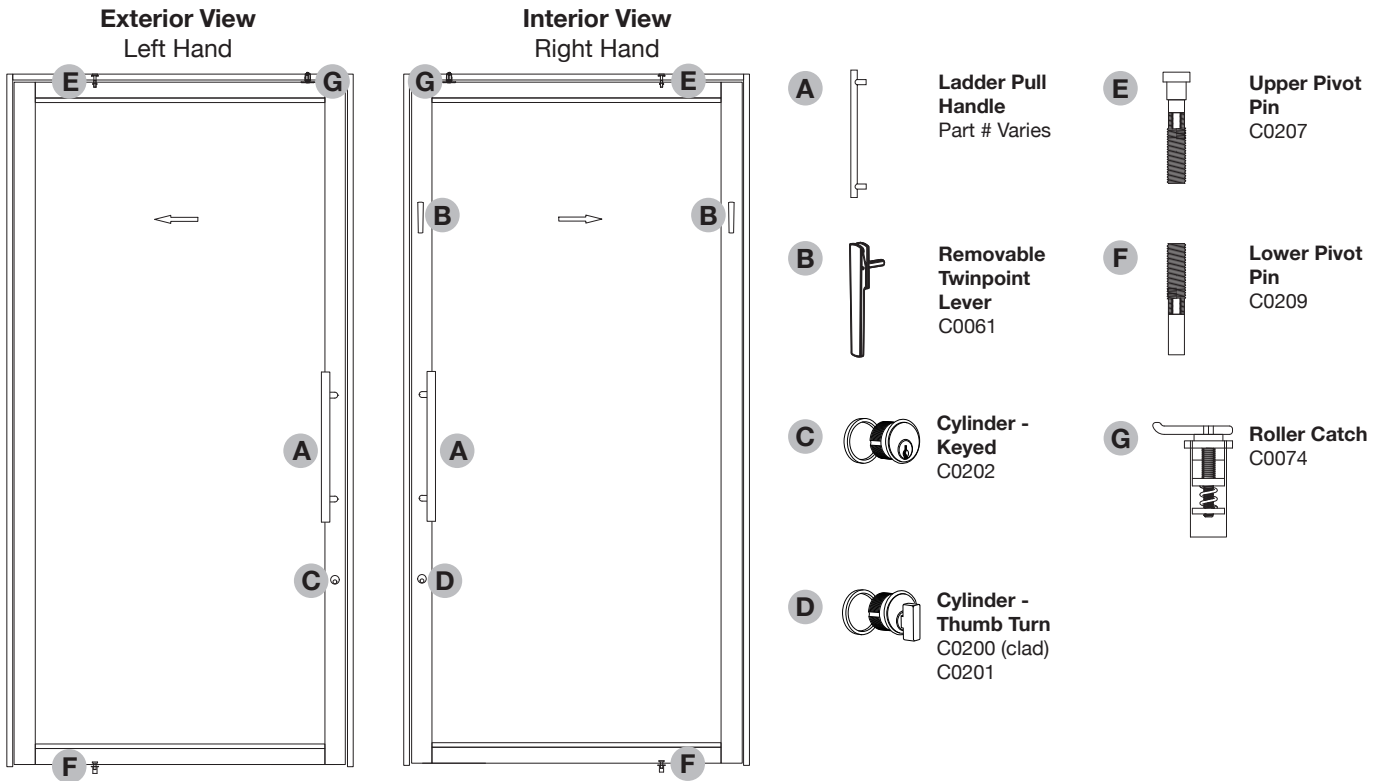
Max Panel Width: 100"

Min Panel Height: 48"

Max Panel Height: 168"

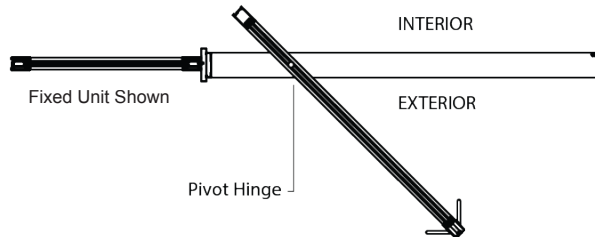
Panel Thickness: 2-1/4"

OVERVIEW DIAGRAM



SWING ORIENTATIONS

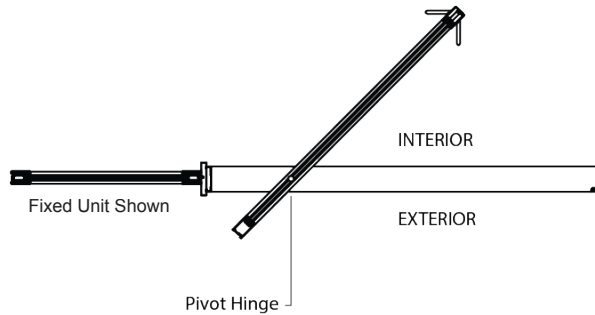
**Left Hand
Outswing**



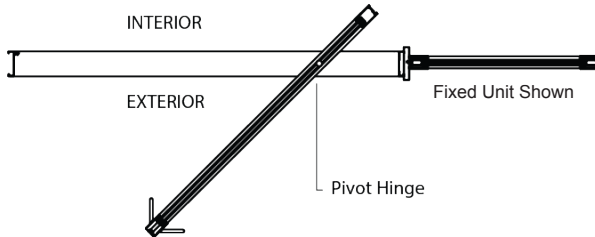
Jamb Orientation



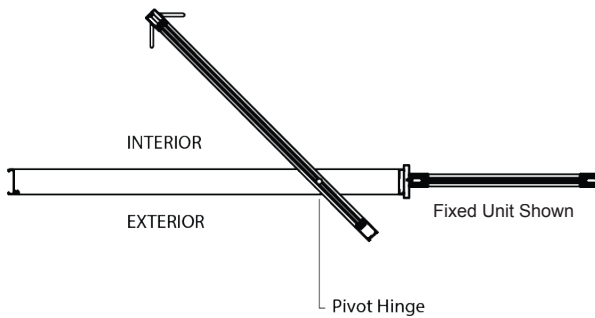
**Left Hand
Inswing**



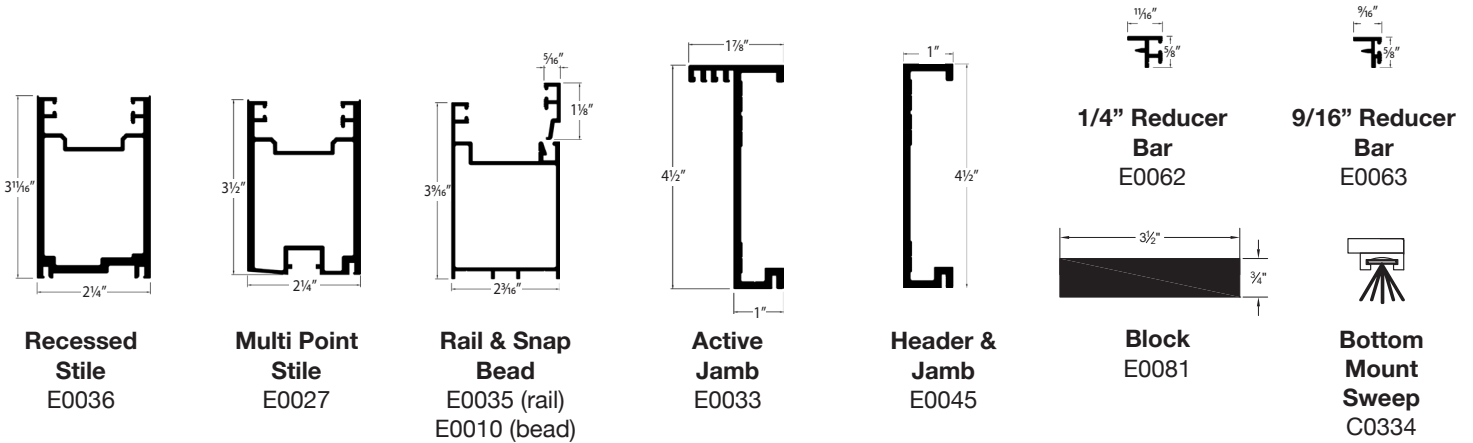
**Right Hand
Outswing**



**Right Hand
Inswing**

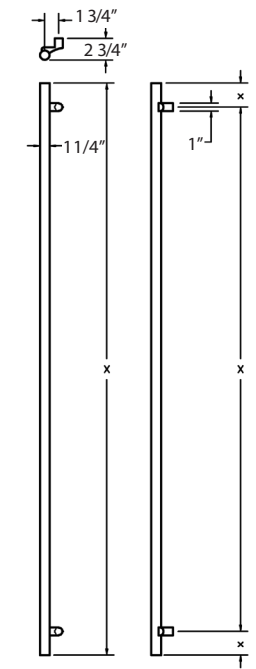


EXTRUSION PROFILES

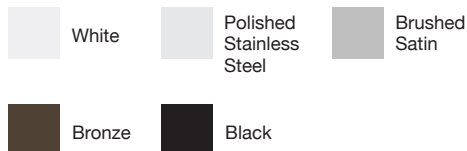


HANDLES

Offset Ladder Pull Handle Part # Varies

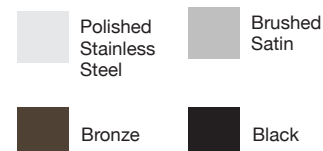
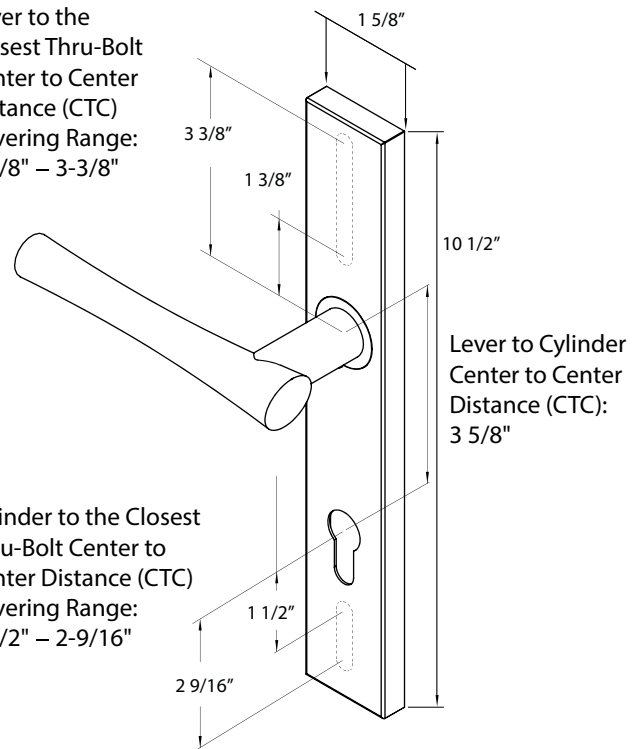


Standard 12"
Custom up to 96" nominal

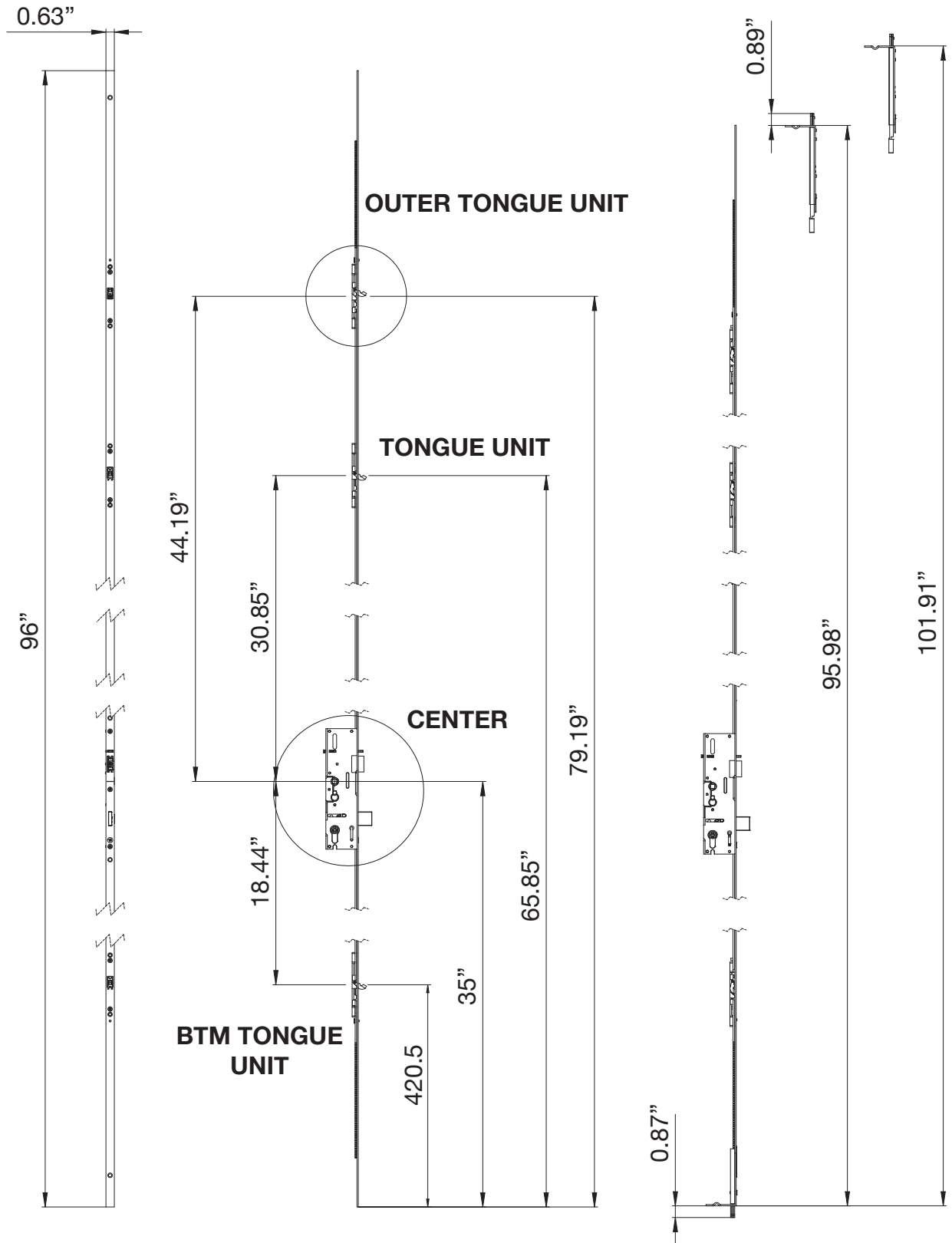


Multi Point 5 Point Locking Handle LORI C0064 | ROLI C0096

Lever to the
Closest Thru-Bolt
Center to Center
Distance (CTC)
Covering Range:
1-3/8" – 3-3/8"

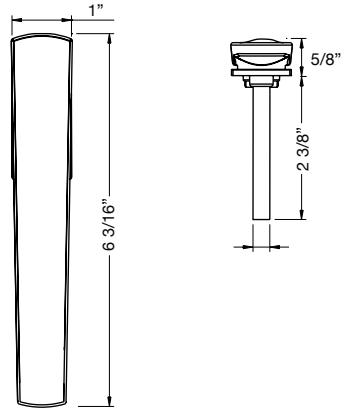


5 POINT LOCK



LOCKS

**Removable Twinpoint Lever (RTP)
 C0061**



Key & Thumb Turn Locks



1" • Key Cylinder
 C0202
 Use: Non-Cladded Door

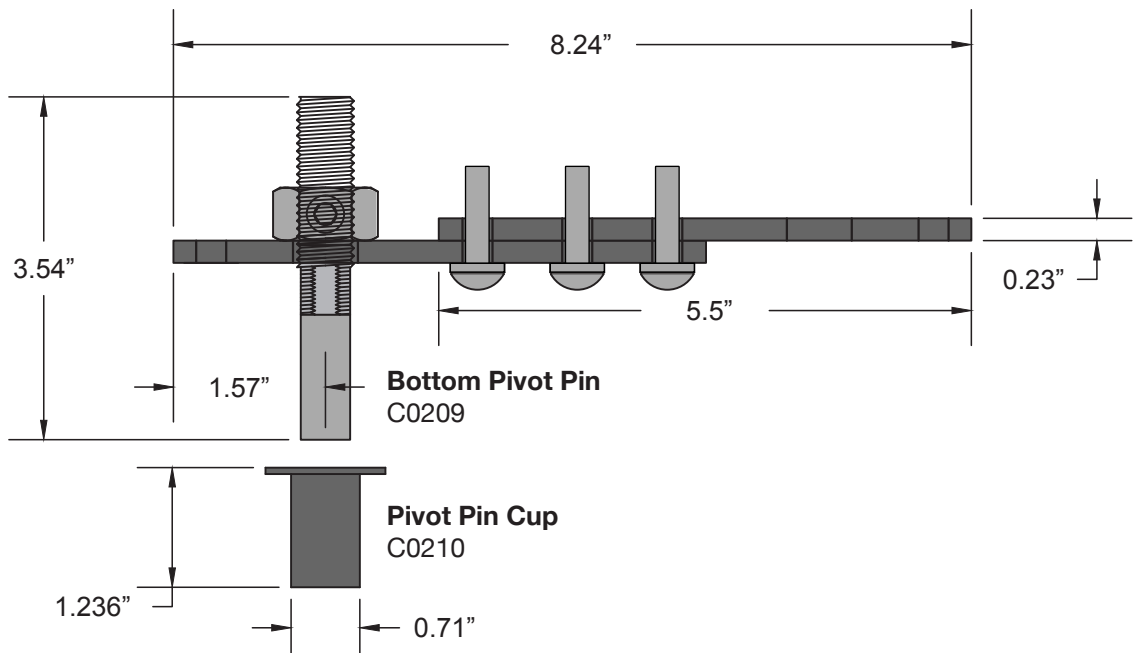
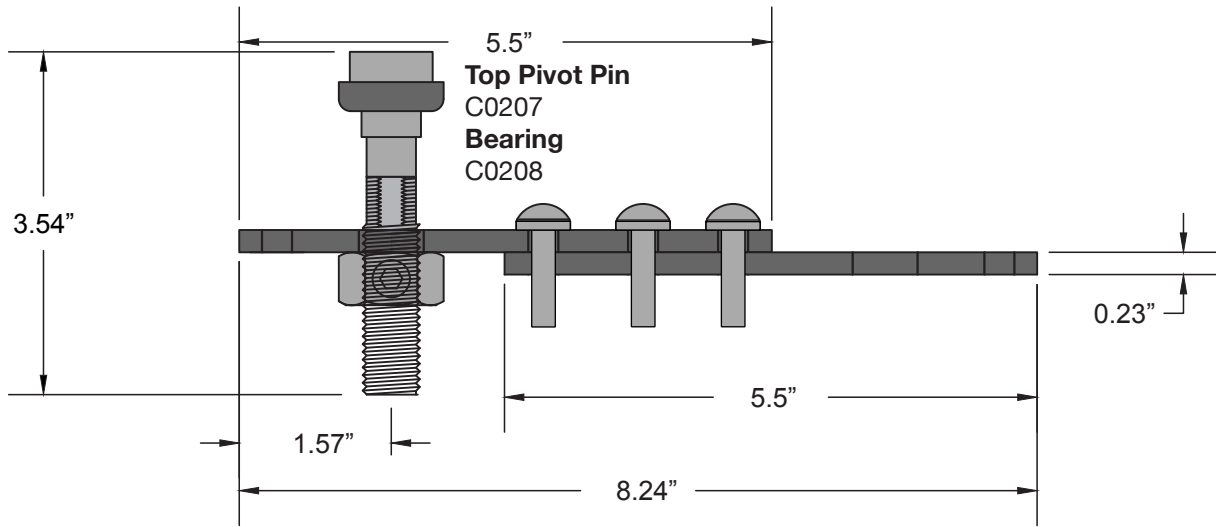


1" • Thumb Turn Cylinder
 C0201
 Use: Non-Cladded Door

1-1/8" • Thumb Turn Cylinder
 C0200
 Use: Single Side Clad Door

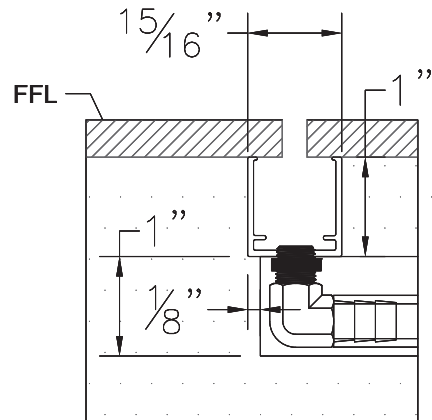
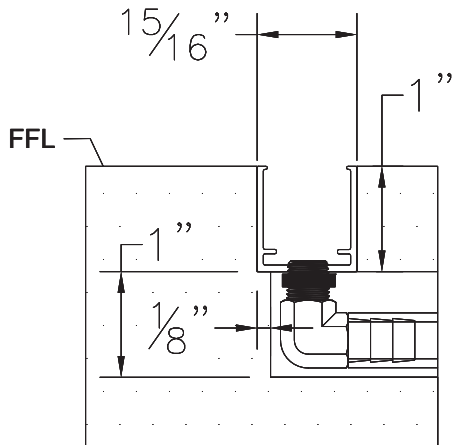


PIVOT PINS

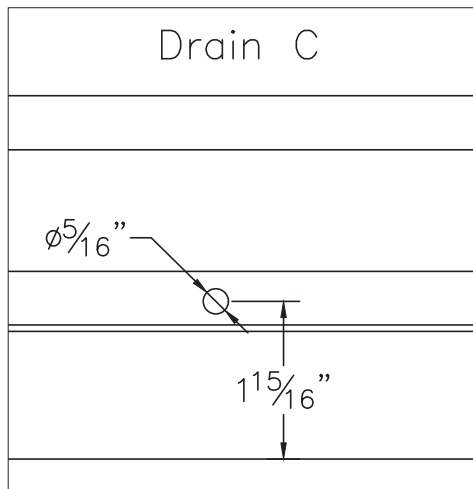


EMBED OPTIONS

**Water Management System
Typical Drain Hole Embedding**

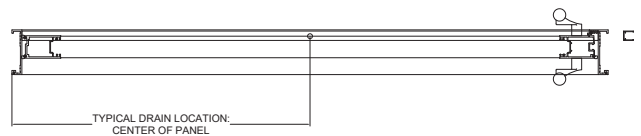


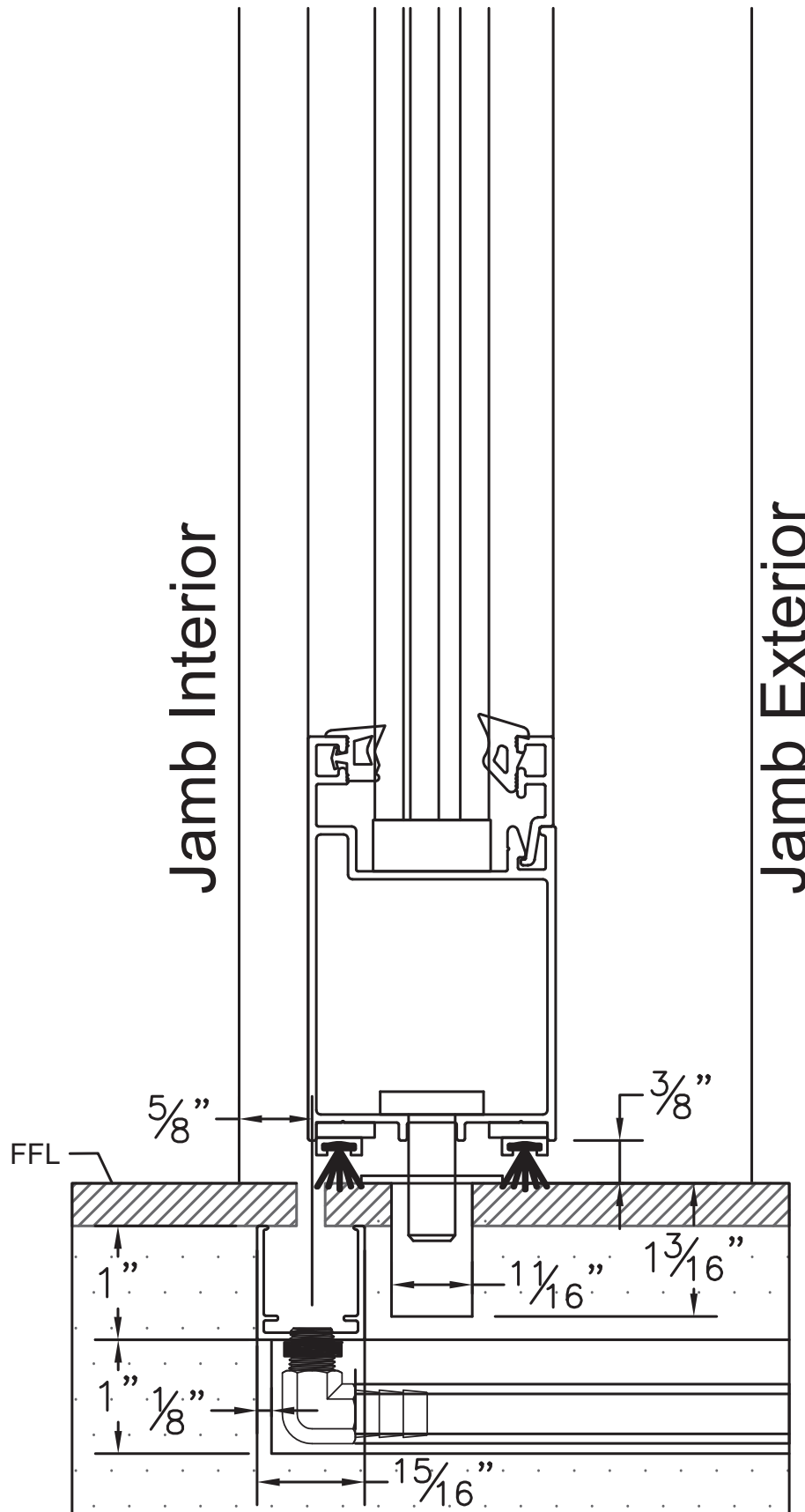
**Water Management System
Typical Drain Hole Milling**



**Water Management System
Typical Drain Hole Location**

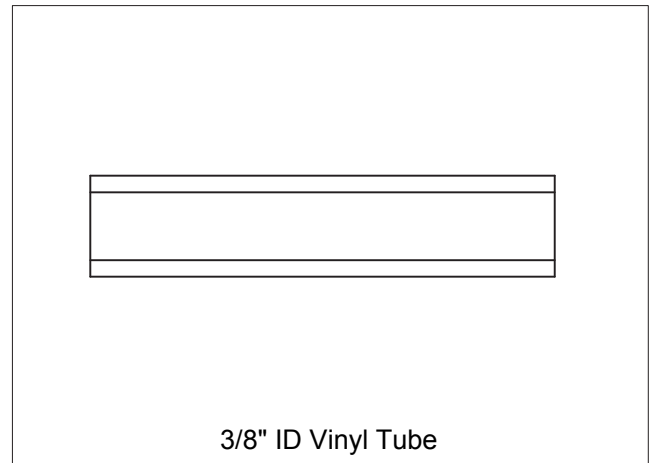
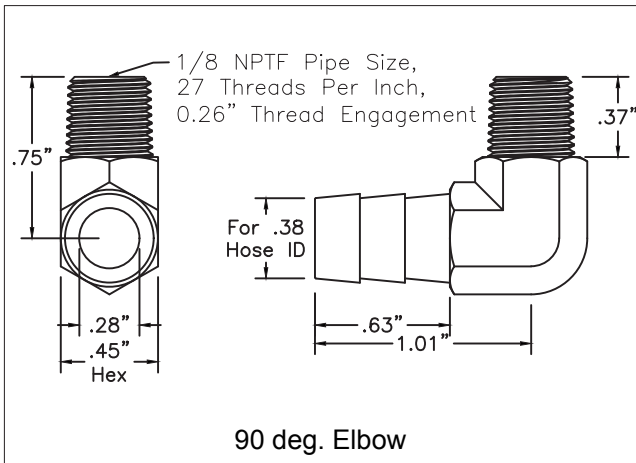
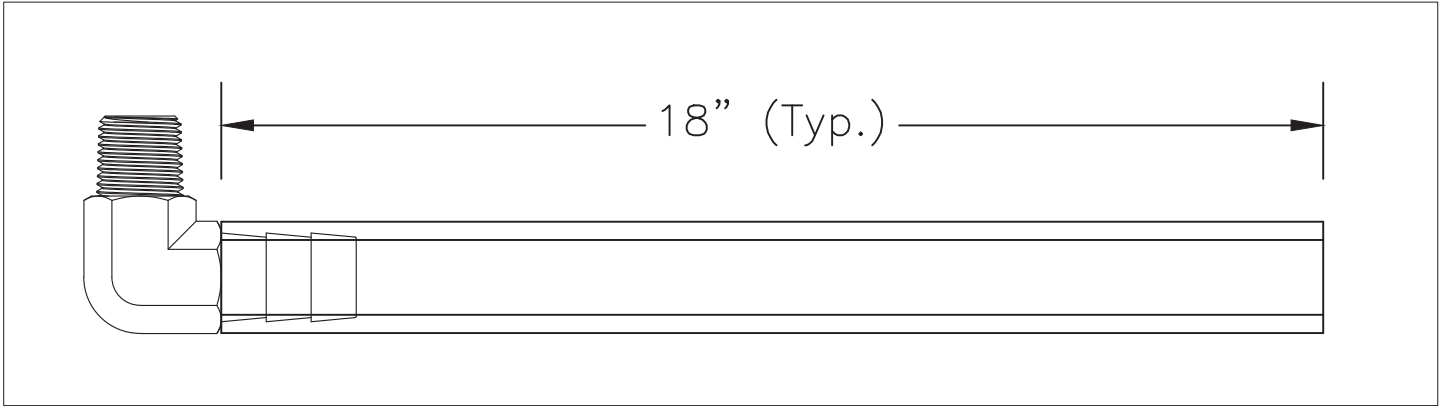
Drill using a 5/16" Bit, and Tap using a 1/8" NPT, with 27 Threads per Inch



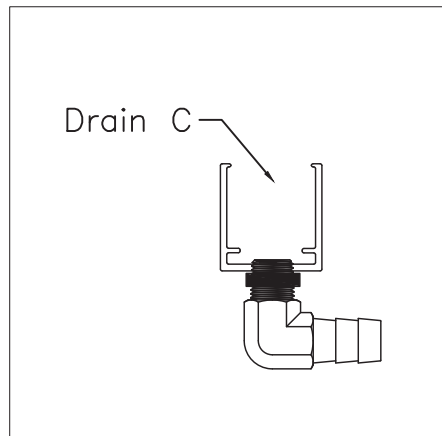


Water Management System - Parts

Parts

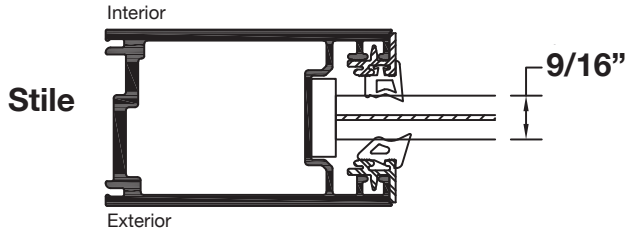


Typical Drain Hole Location

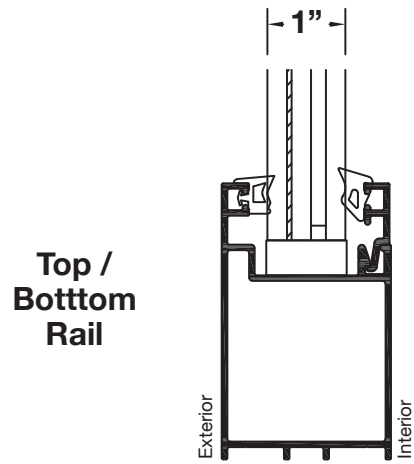
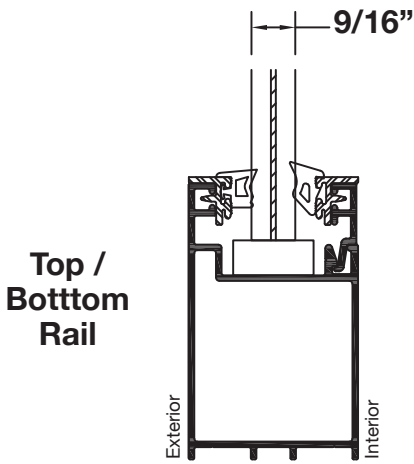
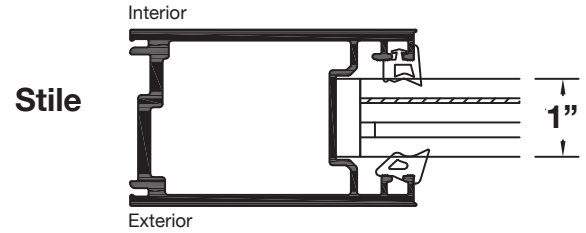


GLAZING DETAILS

Impact Glass (9/16" Monolithic)



IG Impact



Impact

- 1" Insulated Impact
- 9/16" Mono Impact

Non-Impact

- 1/4" Tempered
- 1/2" Tempered
- 1" Insulated
- 3/8" Tempered
- 1/2" Laminated

FINISH OPTIONS

Standard Finishes



White Clear Anodized Bronze Black

Standard Wood Finishes



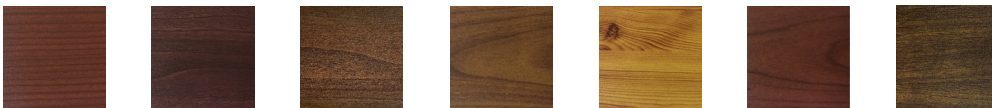
Mahogany / Sapele White Oak

Exotic Wood Finishes



Ash Birch Curly Maple Red Oak Walnut Zebrawood

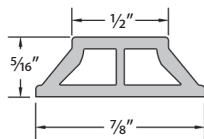
Faux Wood Grain Finishes



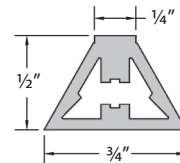
Chesnut Cherry Cinnamon Red Dark Walnut Hazelnut Brown Honey Pine Mahogany Red Walnut Brown

NOTE: All Interior wood clad veneer products should be properly finished or sealed within 36 hours of delivery or stored in a climate controlled space until it can be properly finished or sealed.

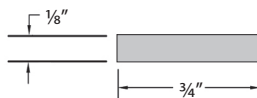
GRID OPTIONS



7/8" OGEE MUNTIN
E0072

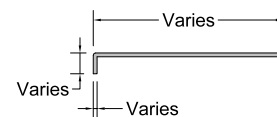


3/4" RAISED MUNTIN
E0070



3/4" FLAT MUNTIN
E0068

NOTE: The 3/4" flat muntin is primarily used for sliding doors, however if your project has pivot and sliding doors this muntin will be used to make them all match.

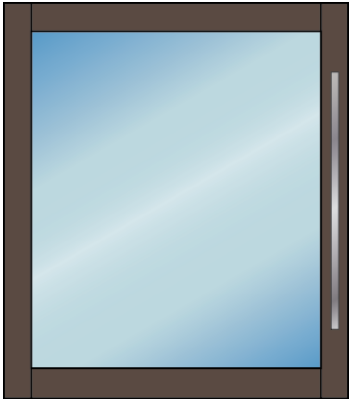


STANDARD MIDRAIL
Part # Varies

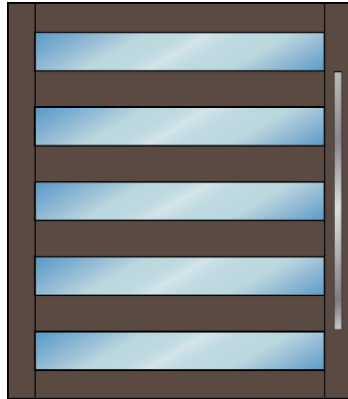
NOTE: Additional muntin, kickplate, and midrail options available upon request.

CONFIGURATIONS

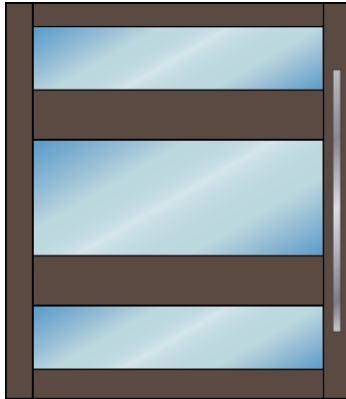
The configurations below are just a few examples of the numerous possibilities for Euro Pivot™ Door. All configurations are available in aluminum, interior wood clad or an interior/exterior faux wood grain kynar finish.



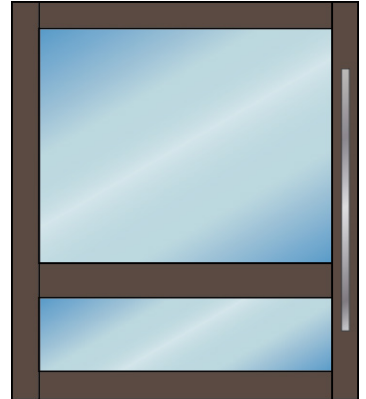
1



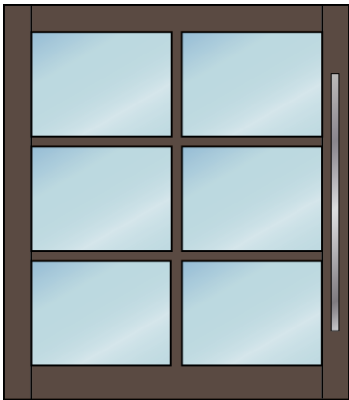
2



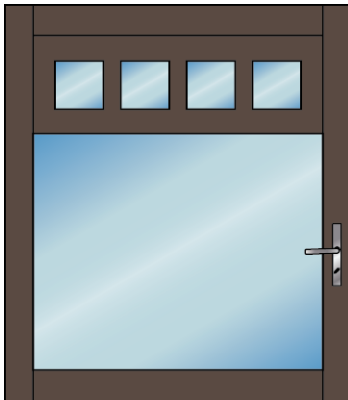
3



4



5



6



7



8



9



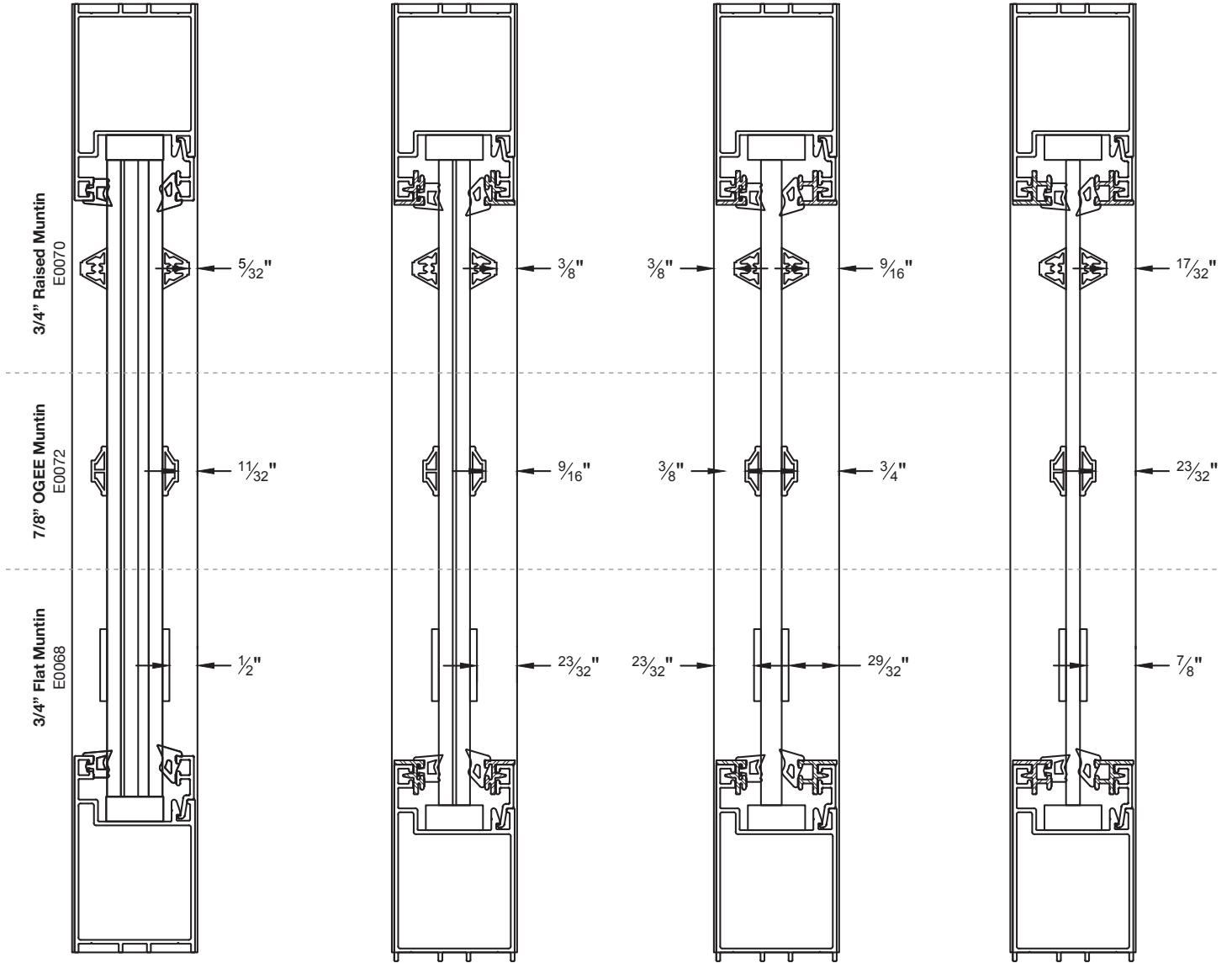
10

IG/IG Impact

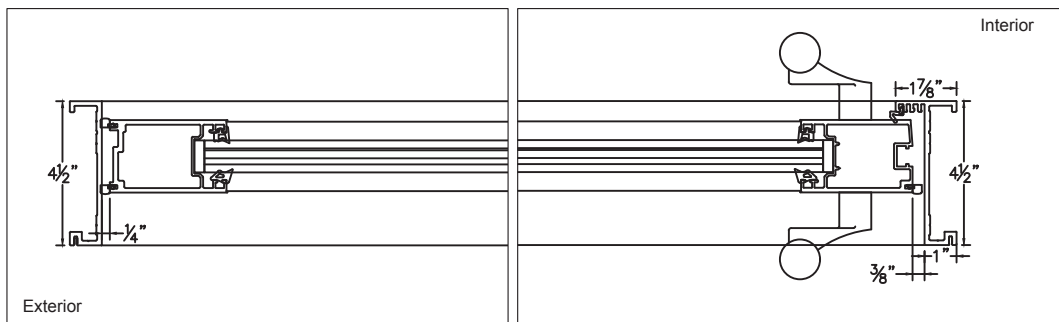
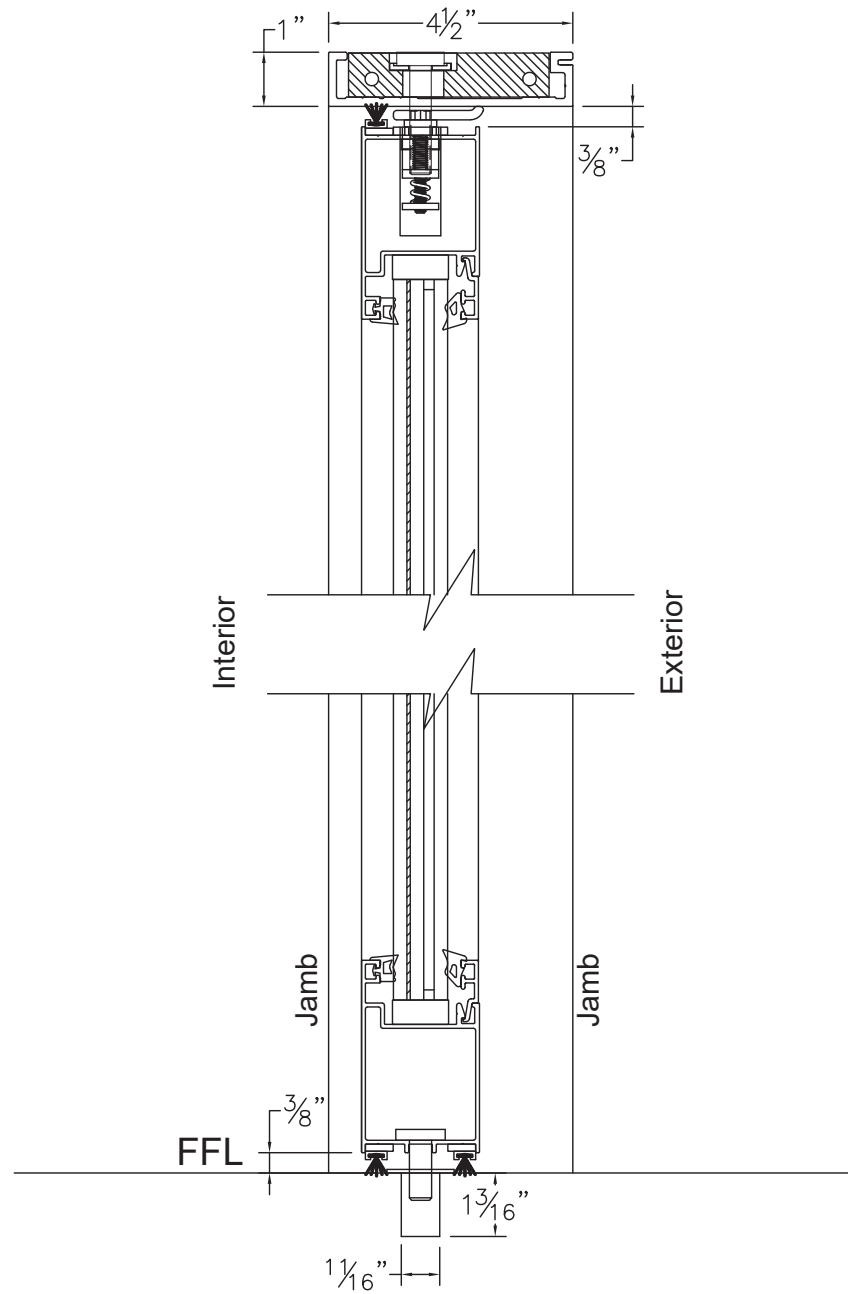
9/16 Mono

3/8

1/4



ELEVATION DETAILS

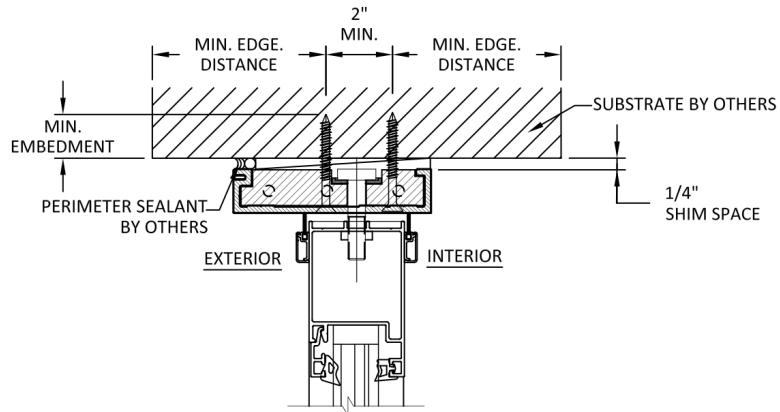


ANCHOR DETAILS

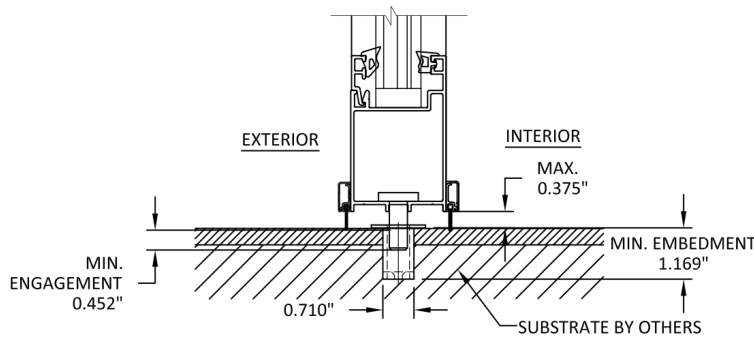
Anchor Installation Notes

1. One installation anchor is required at each anchor location shown unless specified in the anchor schedule. Two installation anchors at the jambs.
2. The number of installation anchors depicted is the minimum number of anchors to be used for product installation of the maximum size listed.
3. Install individual installation anchors within a tolerance of $\pm 1/2"$ the depicted location & spacing in the anchor layout details (I.E. without consideration of tolerances). Tolerances are not cumulative from one installation anchor to the next.
4. Shim as required at each installation anchor with load bearing shim(s). Maximum allowable shim stack to be $1/4"$. Shim where space of $1/16"$ or greater occurs. Shim(s) shall be constructed of high density plastic or better.
5. For masonry or concrete openings, 1x wood buck may be used (optional as long as the minimum embedment and edge distance requirements are still met within the corresponding host substrate). See general note #3 on the sheet 1 for more information.
6. Minimum embedment and edge distance exclude wall finishes, including but not limited to stucco, foam, brick veneer and siding.
7. Installation anchors and associated hardware must be made of corrosion resistant material or have a corrosion resistant coating.
8. For hollow block and grout filled block, do not install installation anchors into mortar joints. Edge distance is measured from free edge of block or edge of mortar joint into face shell of block.
9. Installation anchors shall be installed in accordance with anchor manufacturer's installation instructions, and anchors shall not be used in substrates with strengths less than the minimum

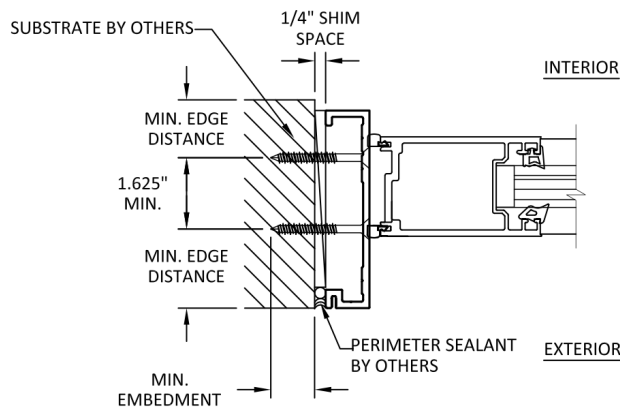
ANCHOR SCHEDULE				
METHOD	SUBSTRATE	ANCHOR SCHEDULE	MIN EMBEDMENT	MIN. EDGE DISTANCE
Through Frames (Heads/Jambs)	Wood: Min. SG=0.55	#14 Wood Screw	1.5"	0.75"
	Metal: 18 Gauge Steel, Min. Fy=33KSI	#12 Self Drilling or Self Tapping Screw	3 Threads Min Penetration Beyond Metal	0.5"
	Metal: Aluminum Min. 1/8" Thickness Min. 6063-T5			
	Concrete: f'c=3000PSI	1/4" ITW Tapcon	1.75"	3"
	Masonry: CMU per ASTM C90	1/4" ITW Tapcon	1.75"	4"



A
6 **ANCHOR DETAIL**
THROUGH FRAME (HEAD)

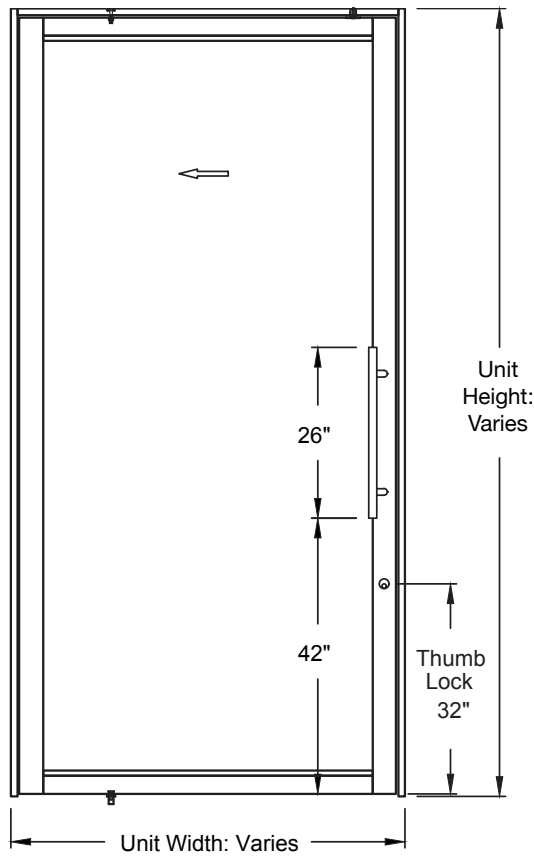


B
6 **ANCHOR DETAIL**
PIVOT (SILL)

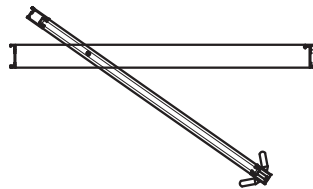


C
6 **ANCHOR DETAIL**
THROUGH FRAME (JAMB)

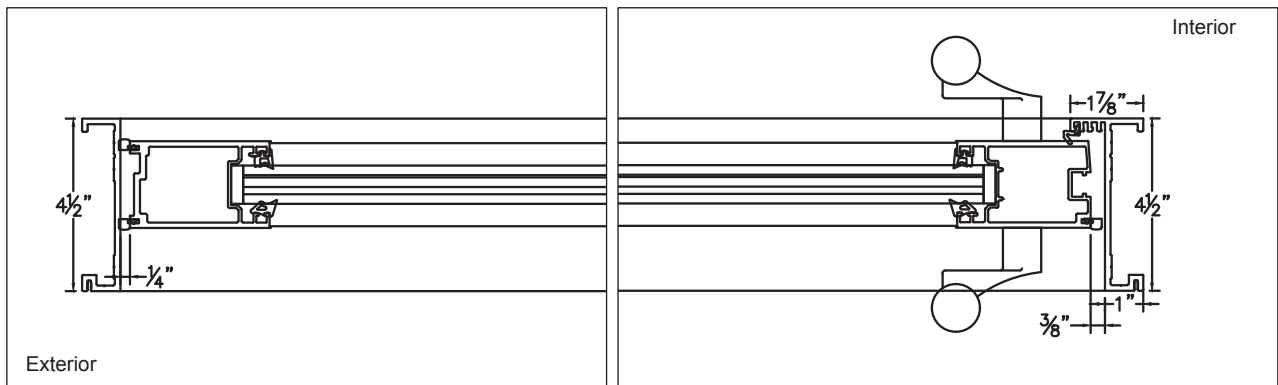
Left Outswing Pivot Configuration Shown



EXTERIOR ELEVATION



HORIZONTAL CROSS SECTION



DESIGN PRESSURE & PIVOT LOCATION CHARTS

HVHZ & Wind Zone 3

		Unit Width										
		60	64	68	72	76	80	84	88	92	96	100
Unit Height	72	60	60	60	60	60	57	54.55	52.5	50.77	49.29	48
	78	60	60	60	60	60	56.84	54.03	51.69	49.73	48.07	46.64
	84	60	60	60	60	60	56.84	54	51.43	49.19	47.31	45.71
	90	60	60	60	60	60	56.84	54	51.43	49.09	46.98	45.18
	96	60	60	60	60	60	56.84	54	51.43	49.09	46.96	45
	102	60	60	60	60	60	56.84	54	51.43	49.09	46.96	45
	108	60	60	60	60	60	56.84	54	51.43	49.09	46.96	
	114	60	60	60	60	60	56.84	54	51.43			
	120	60	60	60	60	60	56.84	54				
	126	60	60	60	60	60	56.84					
	132	60	60	60	60	59.87						
	138	60	60	60	60							
	144	60	60	60	60							
	150	60	60	60								
	156	60	60									
	162	60	60									
168	60											

HVHZ

WIND ZONE 3

Non-Impact

		Unit Width										
		60	64	68	72	76	80	84	88	92	96	100
Unit Height	72	60	60	60	60	60	60	60	60	60	60	60
	78	60	60	60	60	60	60	60	60	60	60	60
	84	60	60	60	60	60	60	60	60	60	60	60
	90	60	60	60	60	60	60	60	60	60	60	60
	96	60	60	60	60	60	60	60	60	60	60	60
	102	60	60	60	60	56.8	55.4	55.4	55.4	55.4	55.4	55.4
	108	60	60	60	60	56.8	54	51.4	51.4	51.4	51.4	
	114	60	60	60	60	56.8	54	51.4	49.1			
	120	60	60	60	60	56.8	54	51.4				
	126	60	60	60	60	56.8	54					
	132	60	60	60	60	56.8						
	138	60	60	60	60							
	144	60	60	60	60							
	150	60	60	60								
	156	60	60									
	162	60	60									
168	60											

Minimum Pivot Offset from Jamb (Inches)

Unit Width	44	48	52	56	60	64	68	72	76	80	84	88	92	96	100
	7	7	7	7	7	7	8	11	14	18	21	24	26	29	32

TEST PERFORMANCE RESULTS

- Approved for use in Miami-Dade HVHZ Zone
- Florida Building Code Approved Product Approval FL 22410
- Air Infiltration: ASTM E283-04
- Wind Load: TAS 202-94
- Large Missile Impact: TAS 201-94
- Cyclic Load: TAS 203-94
- Forced Entry: AAMA 1304-18



EURO-WALL 10 YEAR WARRANTY

Euro-Wall warrants the products to be free from manufacturing defects for a period of 10 years from the date of purchase.

888.989.EURO (3876)

www.euro-wall.com

MANUFACTURING

2200 Murphy Court
North Port, Florida 34289
888.989.3876 • 941.979.5316



SHOWROOM

1211 Stirling Road, Unit 102,
Dania Beach, Florida 33004
954.610.2572

Proud Member of the American Architectural Manufacturers Association.

