

ARCHITECT CUT SHEET
VISTA FOLD™
THERMALLY BROKEN
FOLDING DOORS



The thermally broken Vista Fold™ aluminum door system provides unobstructed views and seamless transitions to the outside. Euro-Wall thermally broken folding doors systems can span heights up to 168”, widths up to 52”, can be configured as a radius or postless corner systems and can span any opening width with an unlimited number of sequential panels. Vista Fold™ applications are Florida Product Approved.

FL 27023



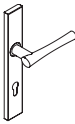

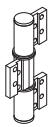

PANEL MINIMUM / MAXIMUM

Max Panel Height:	168”	Min Panel Height:	32”
Max Panel Width:	52”	Min Panel Width:	18”
Overall Frame:	213 FT ²	Max Panel Weight:	350 lbs

OVERVIEW DIAGRAM

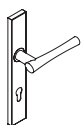
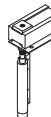
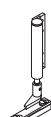


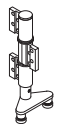

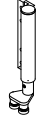
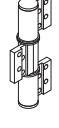
Interior View



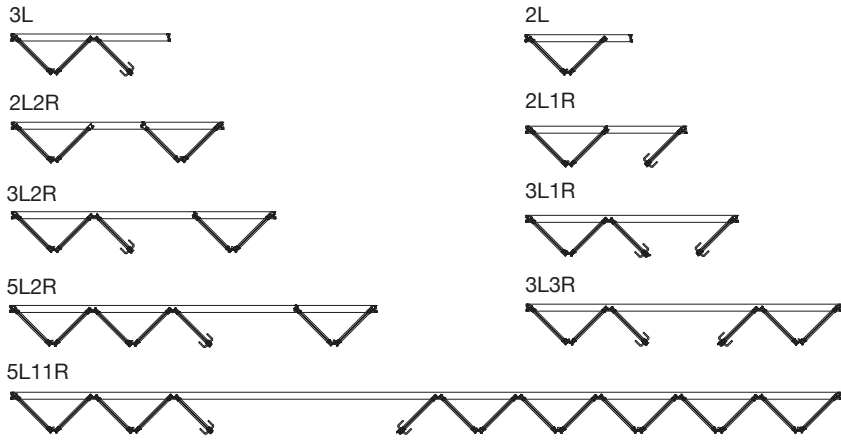
- A**  Multipoint Handle
- B**  Twinpoint Lever
- C**  Modified Hinge
- D**  D Pull Handle

Exterior View



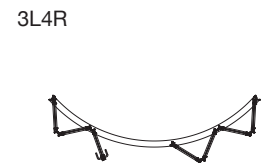
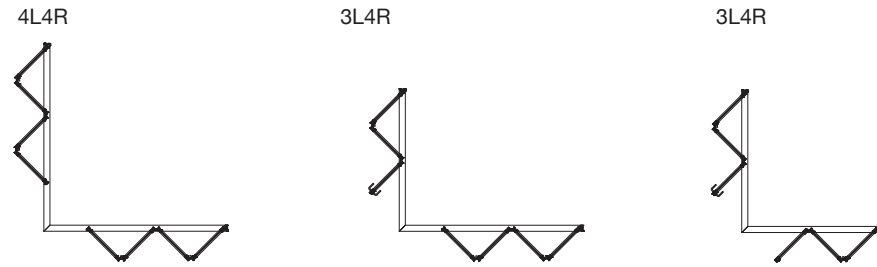
- A**  Multipoint Handle
- B**  Upper Jamb Hinge
- C**  Lower Jamb Hinge
- D**  Center Wall Pivot
- E**  Upper Intermediate Carrier
- F**  Lower Intermediate Carrier
- G**  Upper Carrier
- H**  Lower Carrier
- I**  Modified Hinge

CONFIGURATIONS



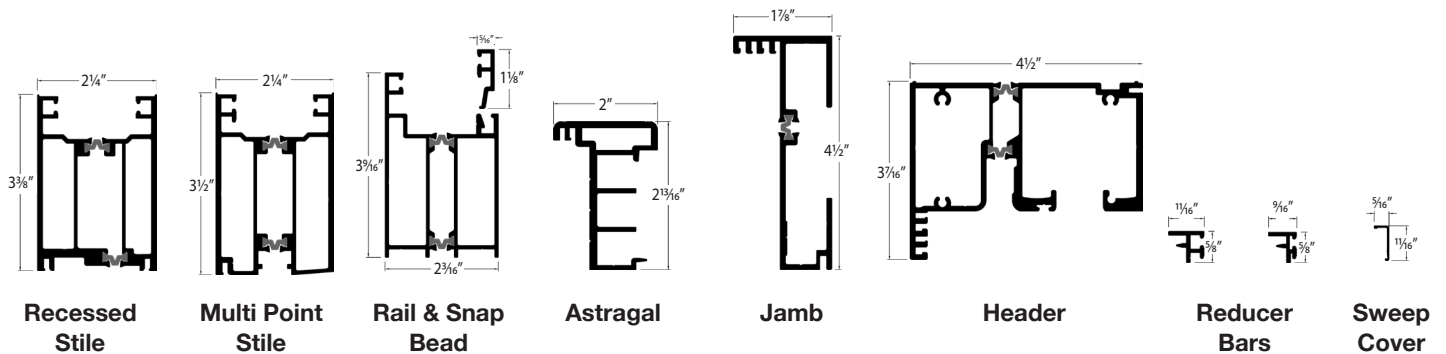
NOTE: These configurations are just a few examples of the numerous possibilities for Vista Fold™ layout options. For installations in Florida, see the Florida Product Approval.

For even panel configurations (ex: 4R, 6L, 2L 4R) there is no exterior access. Exterior access is provided by request.



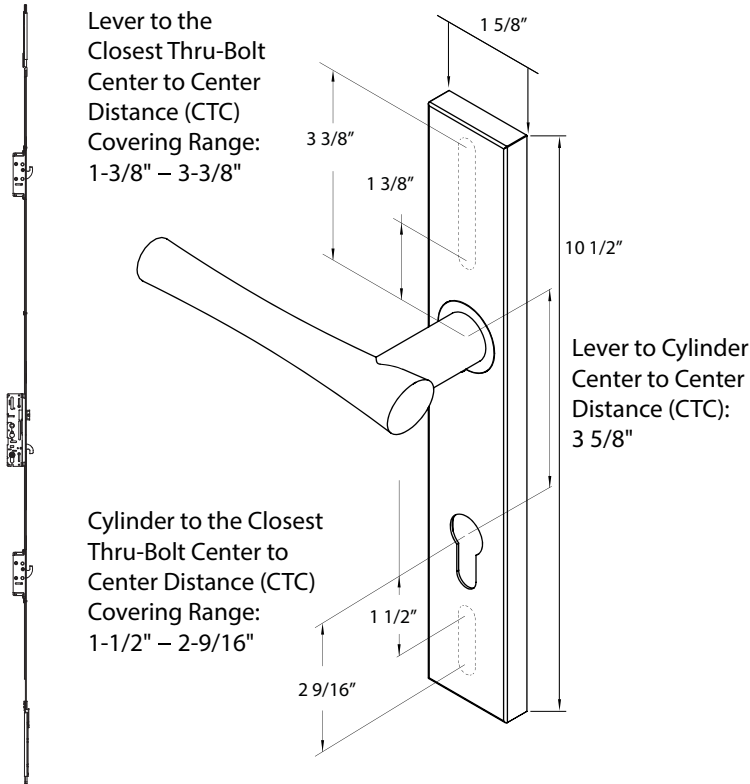
Recommended maximum degree on radius is 12 degree

EXTRUSION PROFILES



HANDLES

Multi Point 5 Point Locking Handle

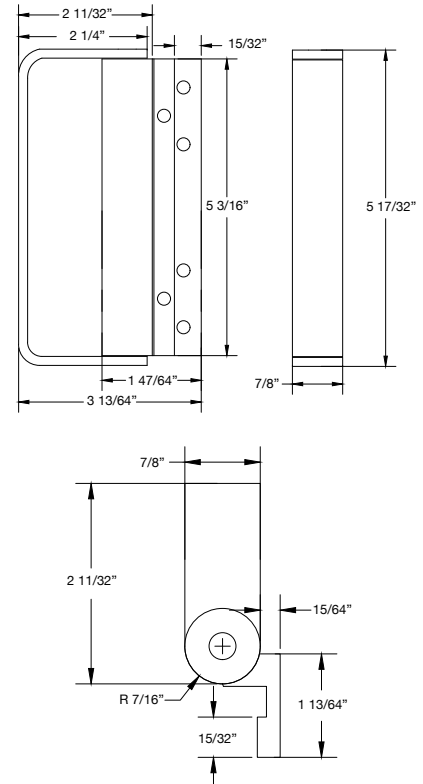


Details of multi point lock continued on pg. 5



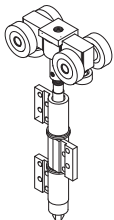
PULL HARDWARE

D Pull Handle

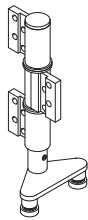


HINGES

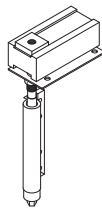
Upper Intermediate Carrier



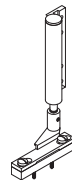
Lower Intermediate Carrier



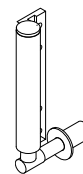
Upper Jamb Hinge



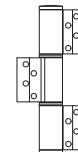
Lower Jamb Hinge



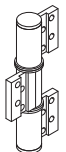
Center Wall Pivot

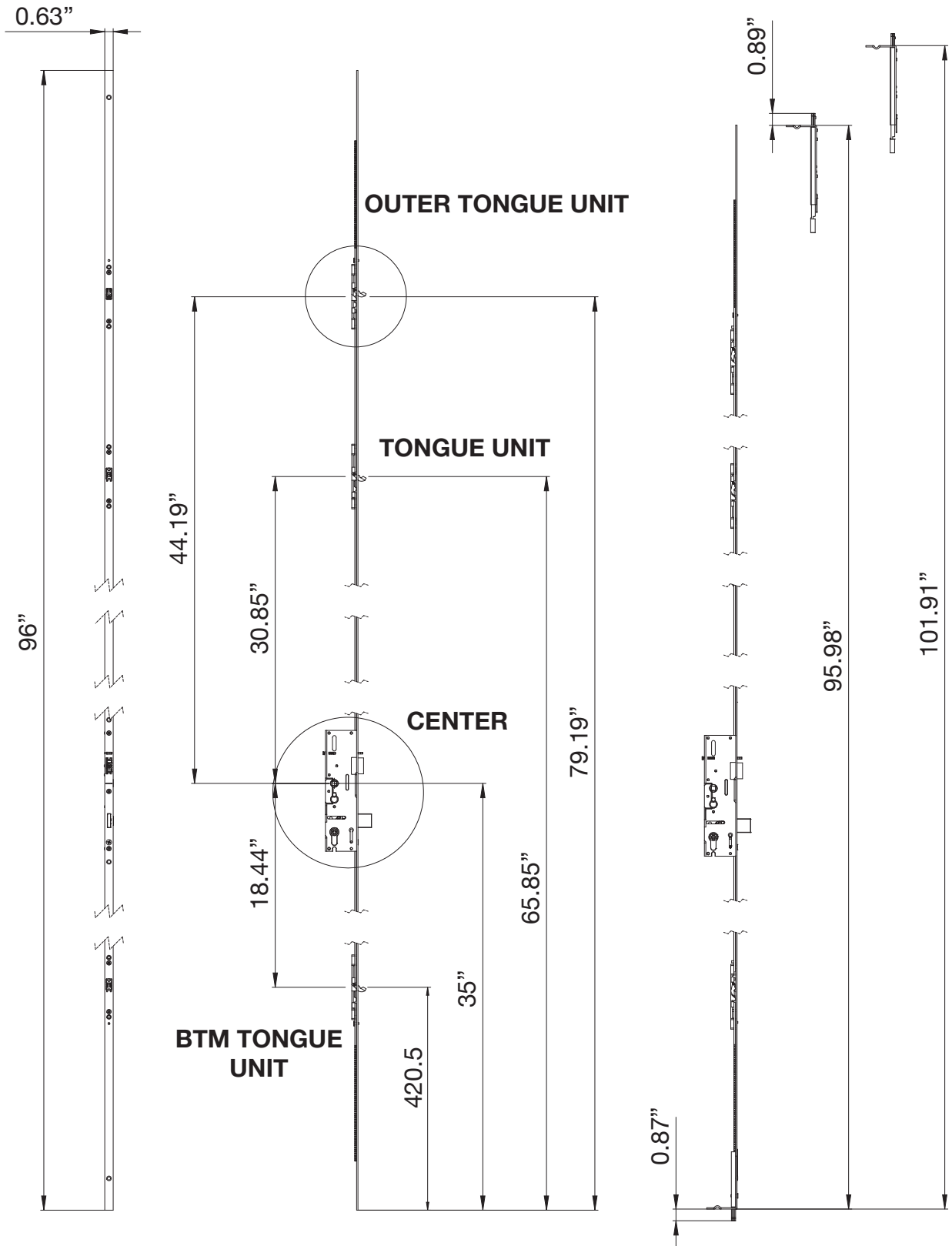


Straight Hinge



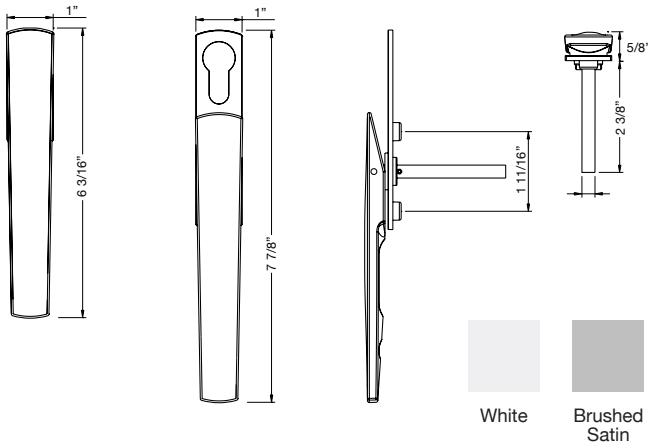
Modified Hinge



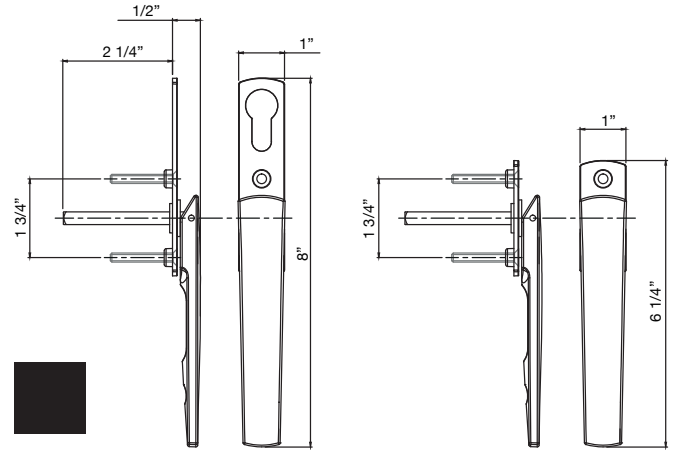


LOCKS

Twinpoint Lever



Twinpoint Lever Short



Thumb Turn Locks



50mm Single Sided
Euro Cylinder Key
Use: Exterior Locking Only
Finish: Satin Nickel



70mm Double Sided
Euro Cylinder Key / Thumb Turn
Use: Swing Door or Special Request
Finish: Satin Nickel

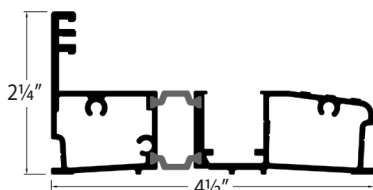


70mm Double Sided
Euro Cylinder Key / Key
Use: Standard Option
Finish: Satin Nickel

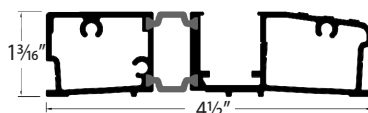


90mm Double Sided
Euro Cylinder Key / Thumb Turn
Use: Standard Option
Finish: Satin Nickel, Bronze, Polished, Black

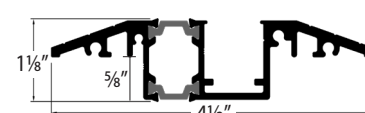
SILLS



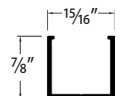
Standard Sill
Thermally Broken Water Rated



Modified Standard Sill



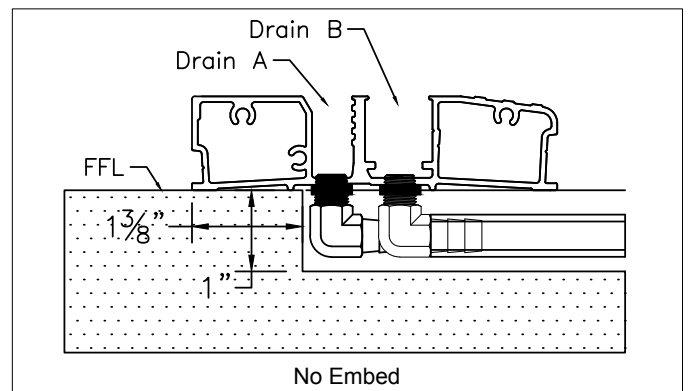
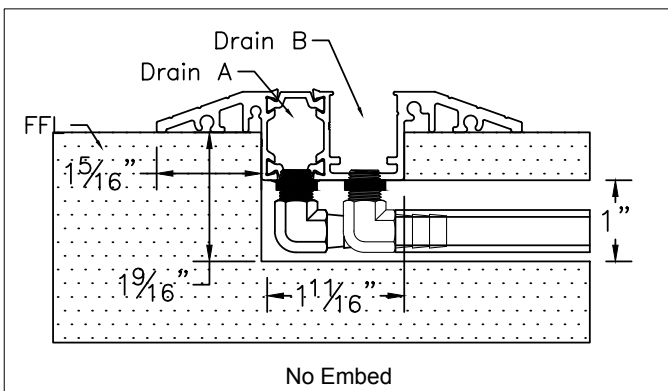
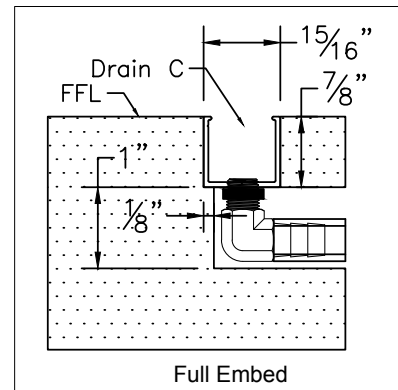
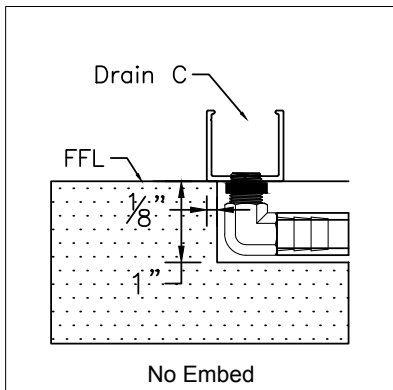
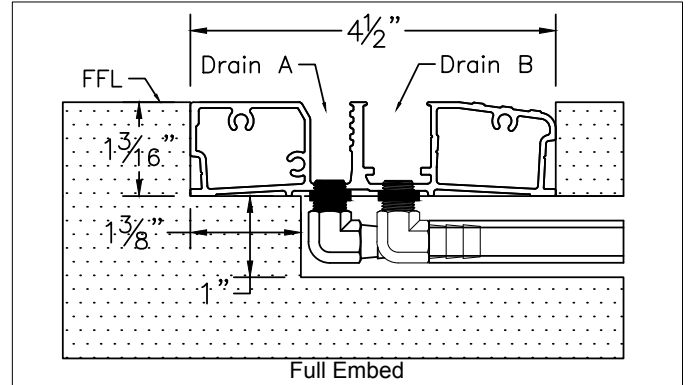
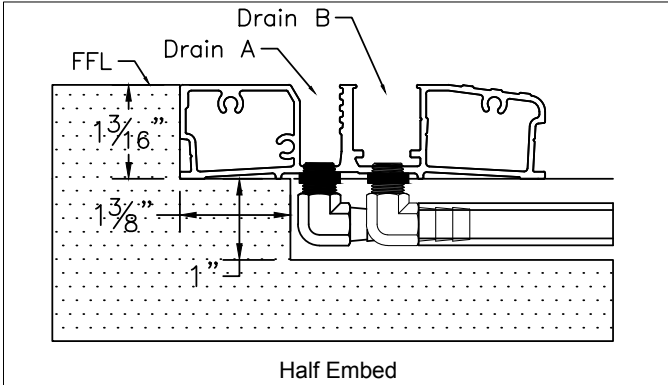
ADA Sill
Thermally Broken



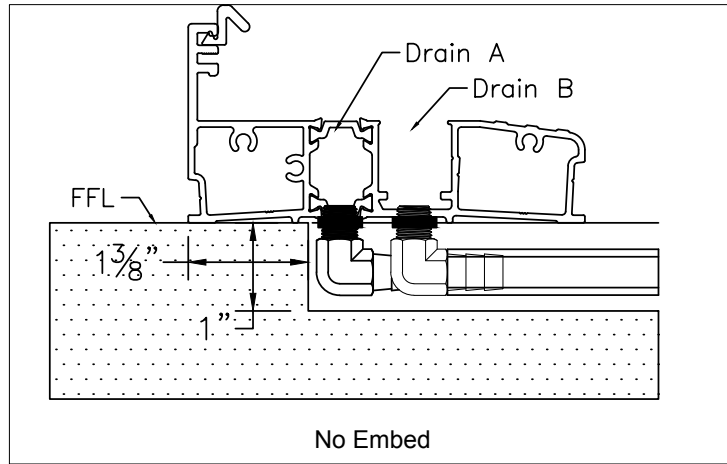
Channel Sill
Interior Use Only

WATER MANAGEMENT

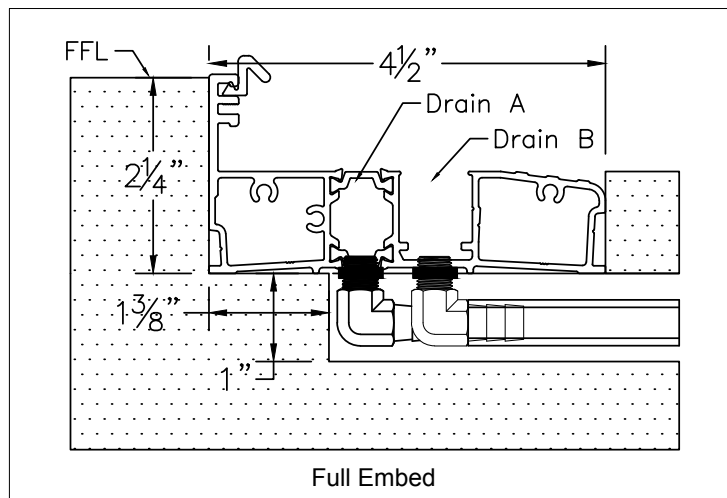
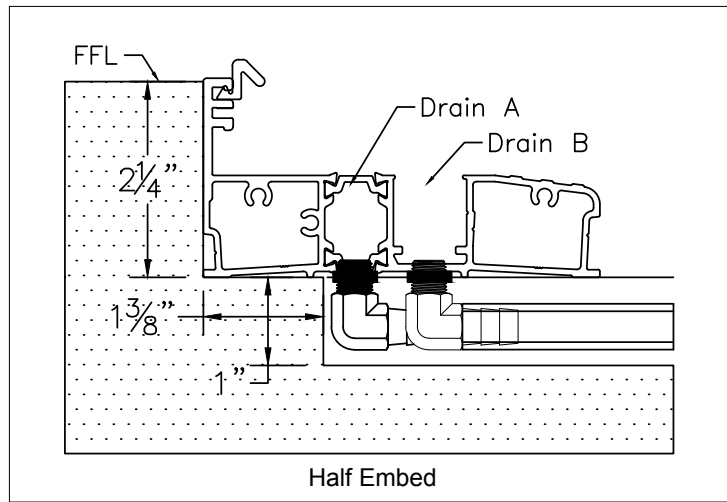
Typical Drain Hole Embedding



**C5 Water Management System
Typical Drain Hole Embedding**

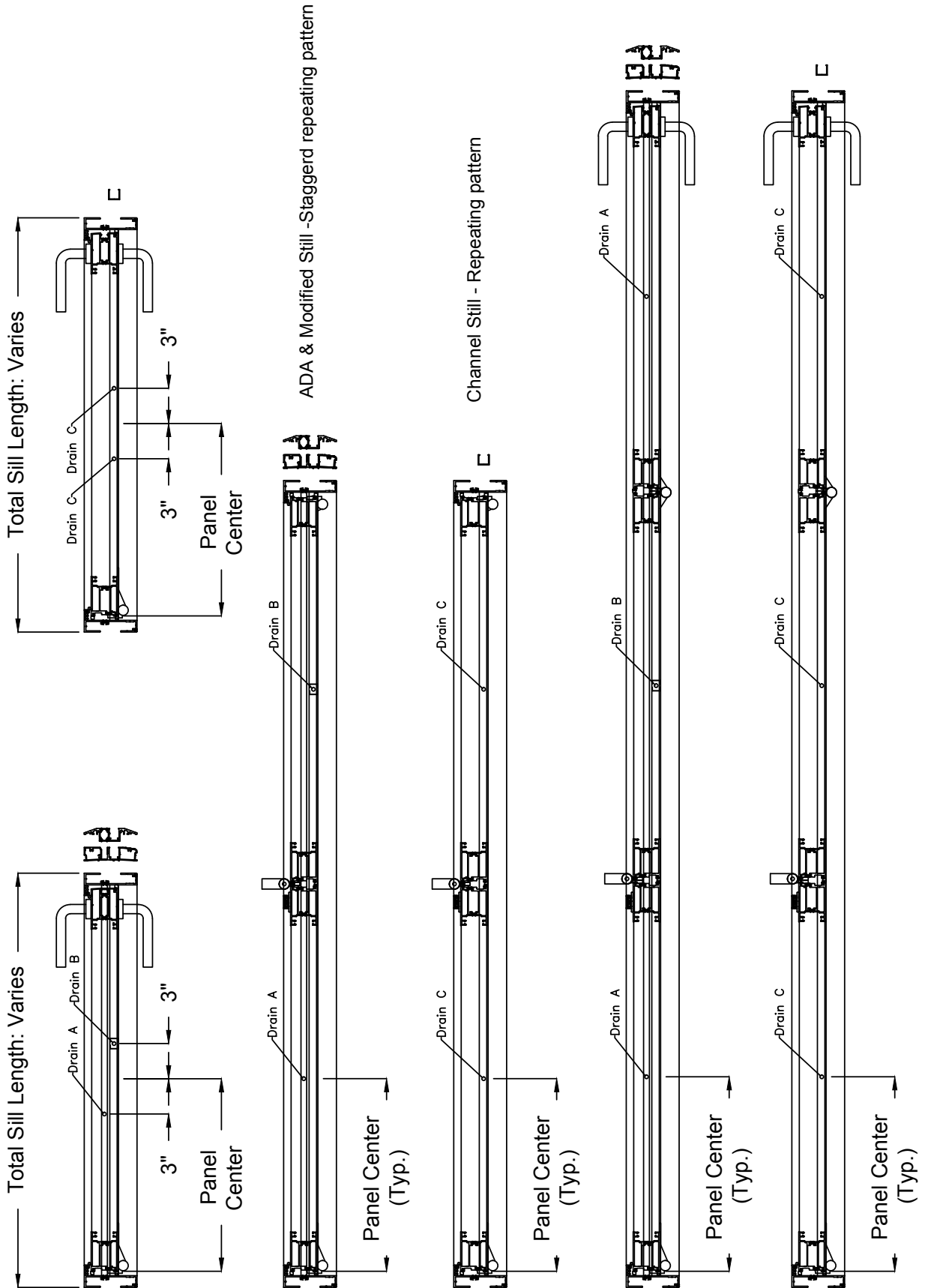


C5 standard sill with water management voids all water ratings and product approvals

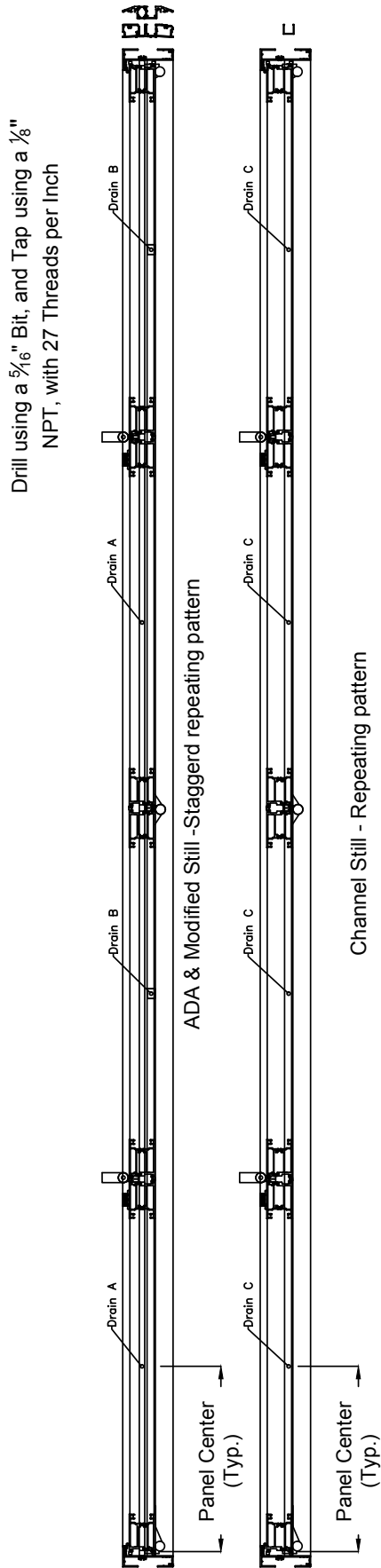


C5 Water Management System
Typical Drain Hole Location

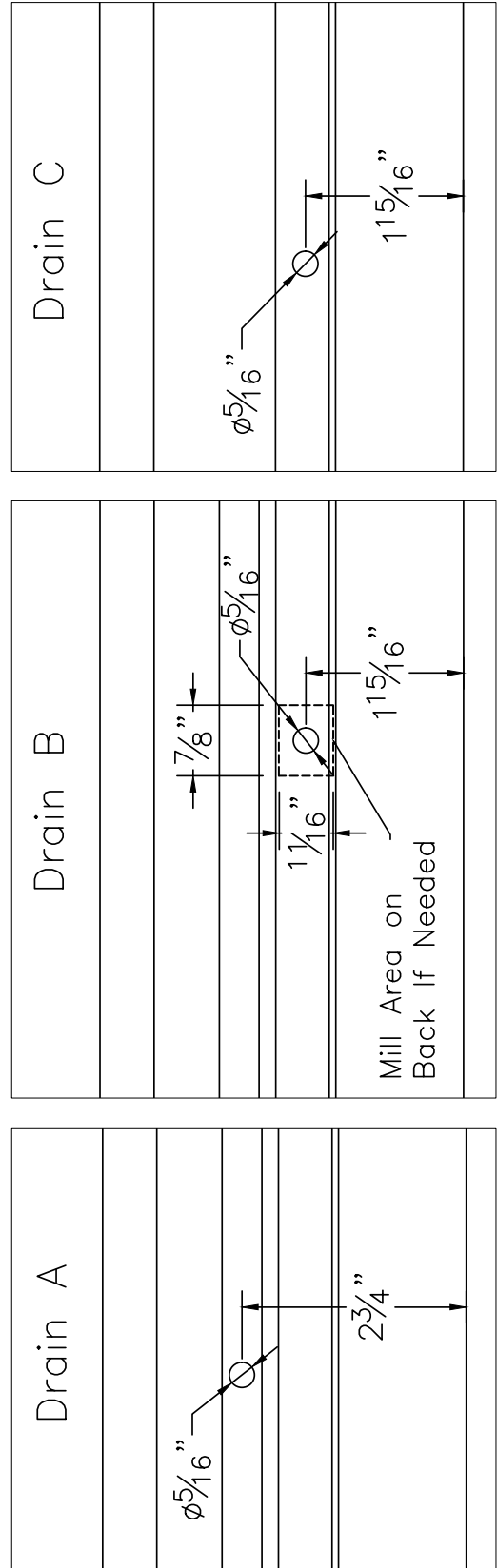
Drill using a 5/16" Bit, and Tap using a 1/8" NPT, with 27 Threads per Inch



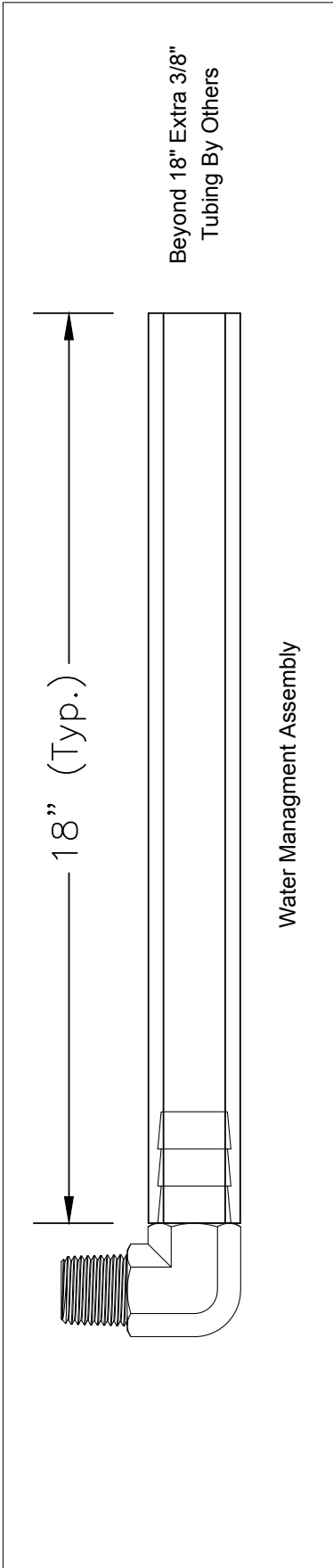
**C5 Water Management System
Typical Drain Hole Location**



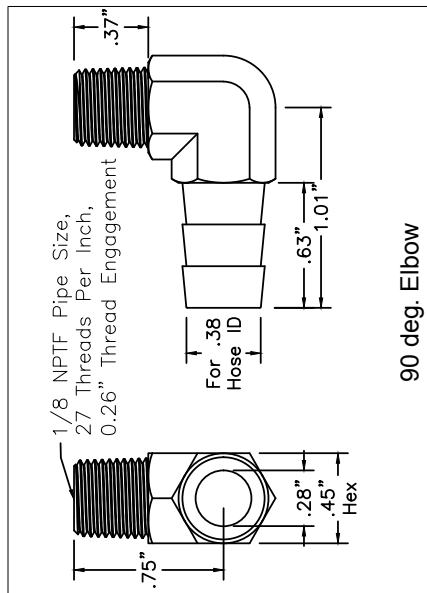
**Water Management System
Typical Drain Hole Milling**



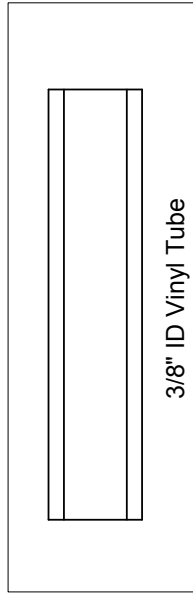
**C5 Water Management System
Parts**



Water Management Assembly

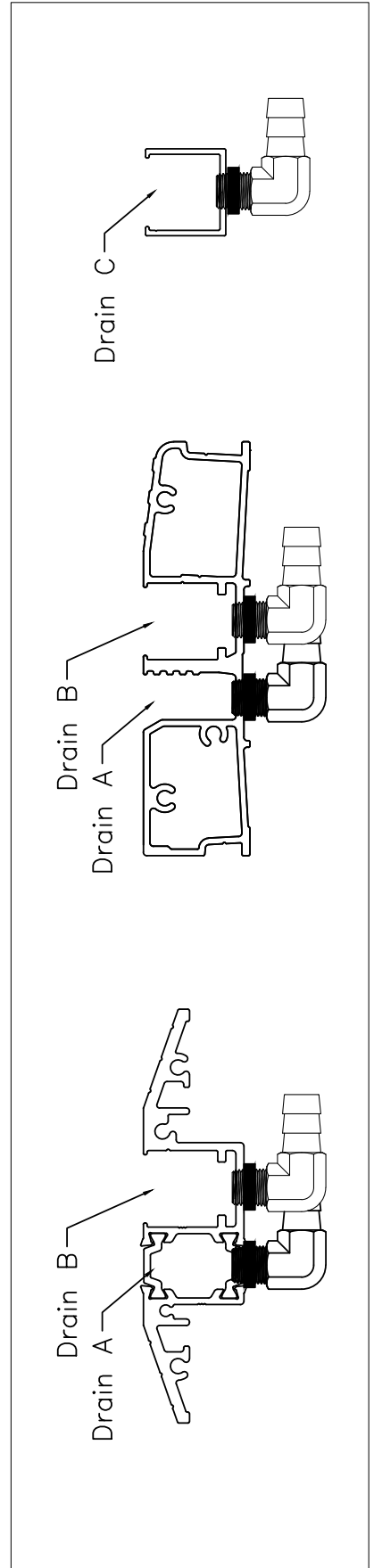


90 deg. Elbow

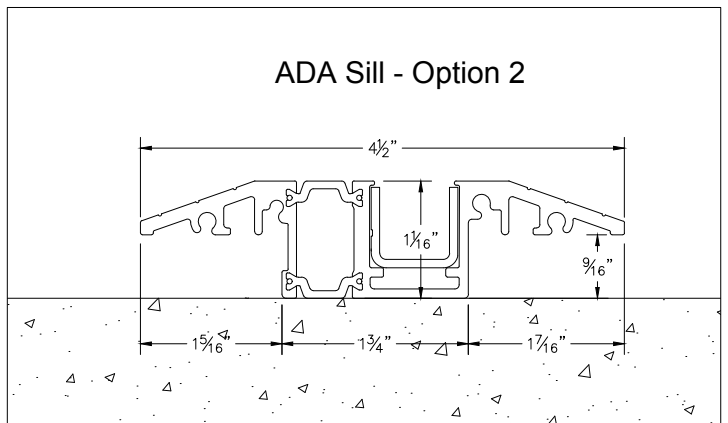
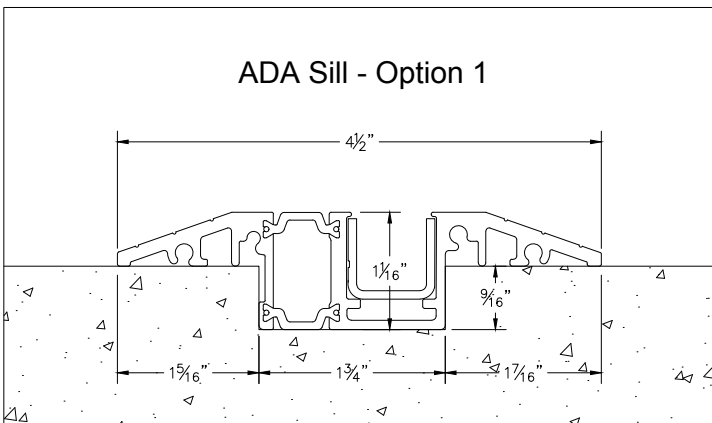
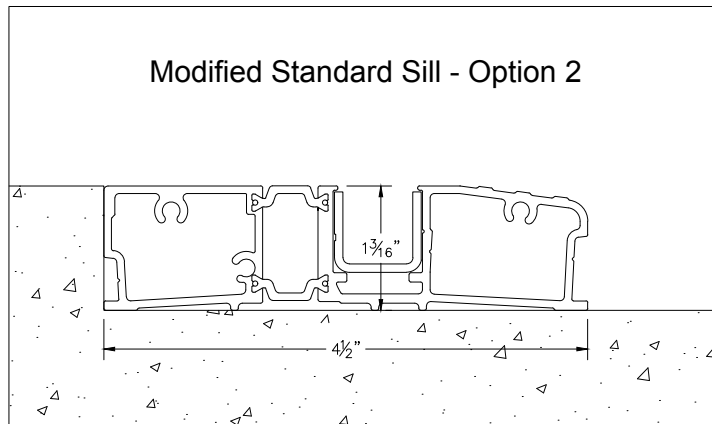
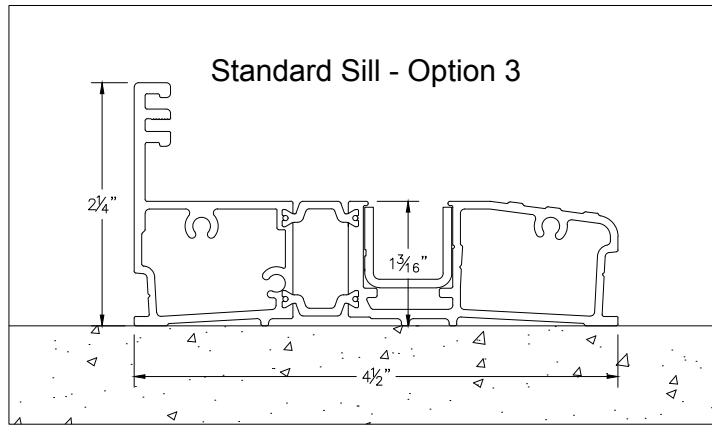
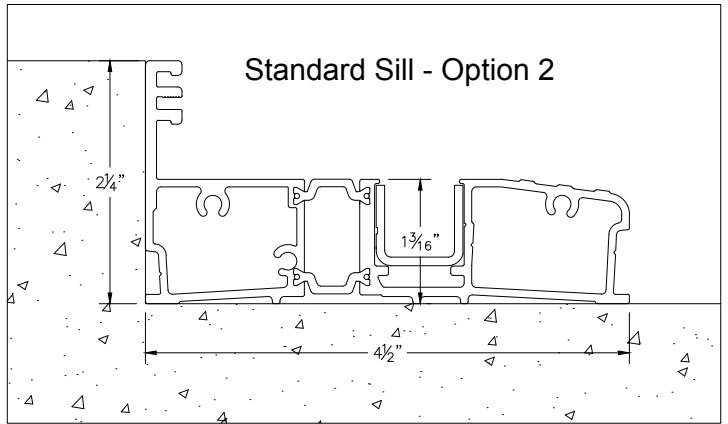
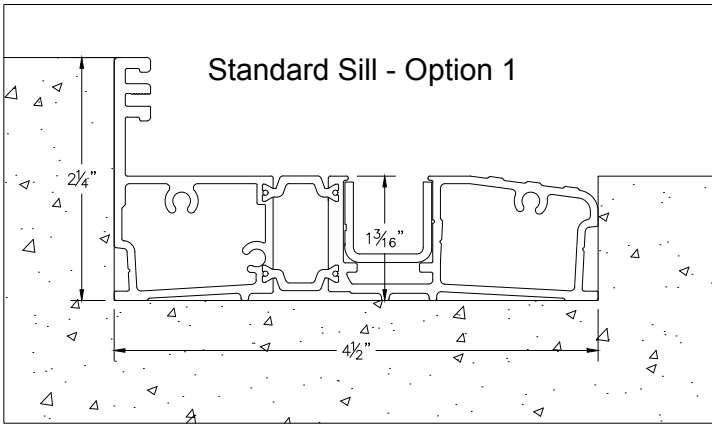


3/8" ID Vinyl Tube

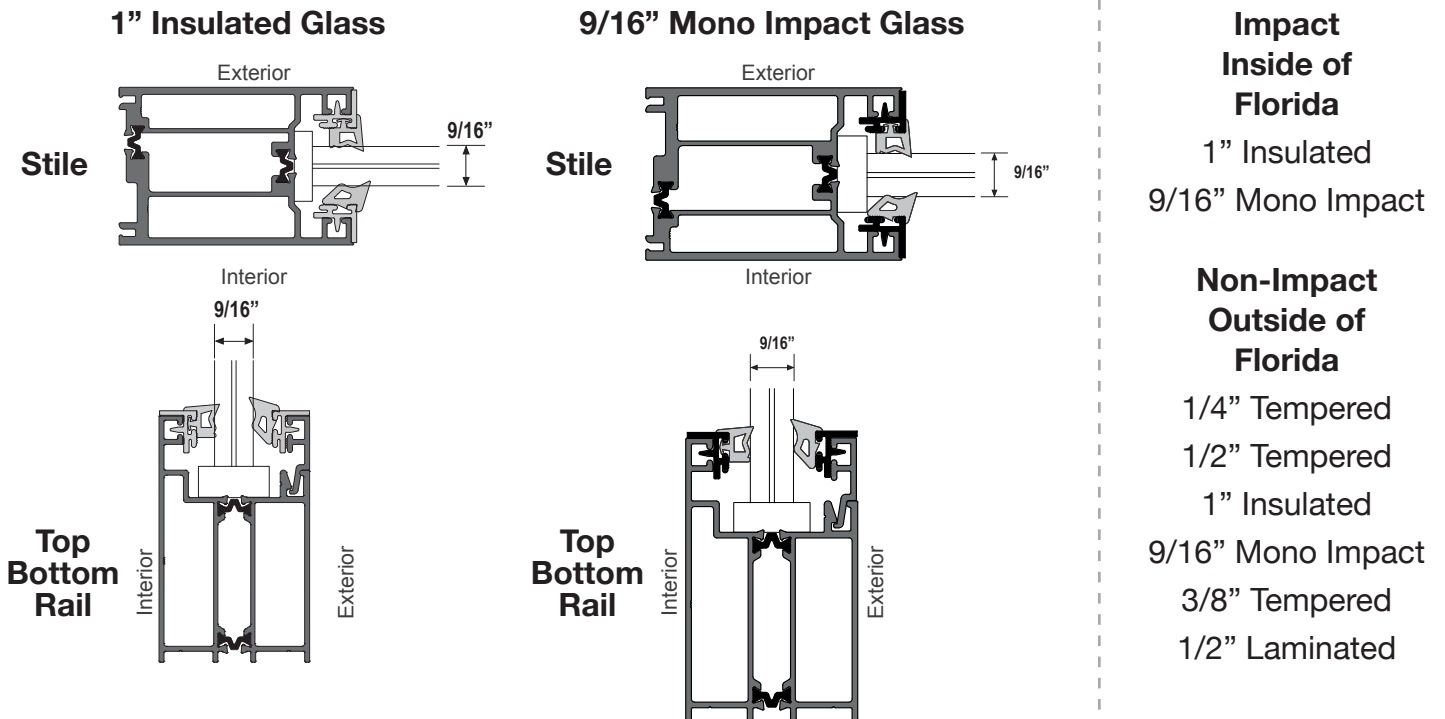
Typical Drain Hole Location



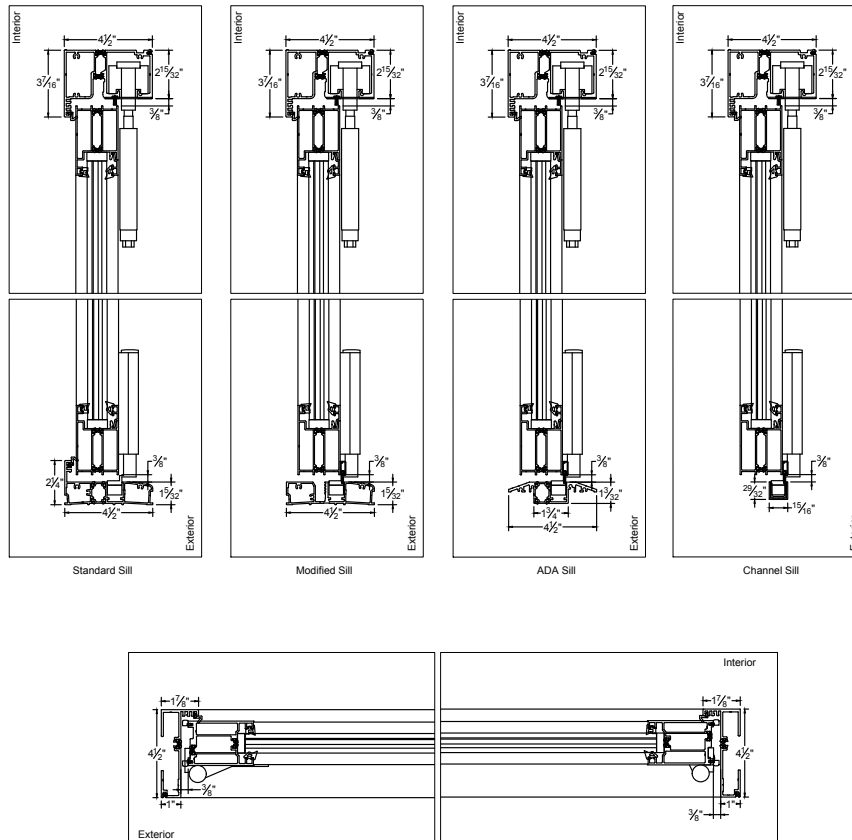
EMBED OPTIONS



GLAZING DETAILS

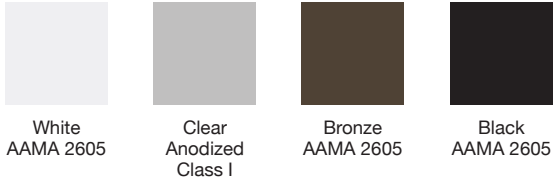


ELEVATION DETAILS



FINISH OPTIONS

Standard Finishes



Standard Wood Finishes



Mahogany / Sapele White Oak

Exotic Wood Finishes

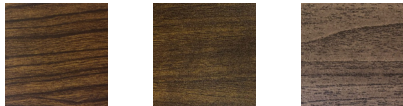


African Rosewood Ash Birch Curly Maple Red Oak Walnut Zebrawood

Faux Wood Grain Finishes



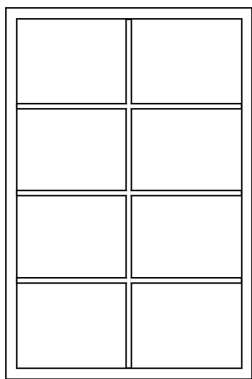
Aspen Burlwood Chesnut Cherry Cinnamon Red Dark Walnut English Oak Hazelnut Brown Honey Pine Mahogany Red Natura



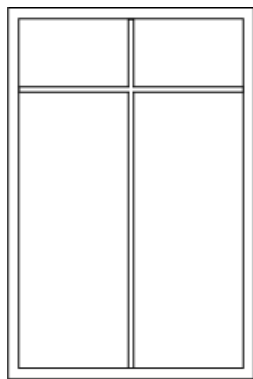
Teak Walnut Brown Weathered Teak

GRID OPTIONS

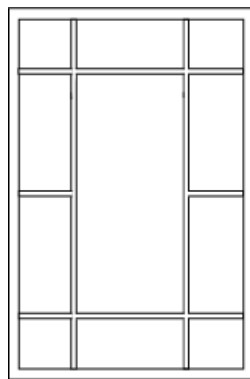
These muntin configurations are just a few examples of the numerous possibilities. All configurations are available in aluminum or wood.



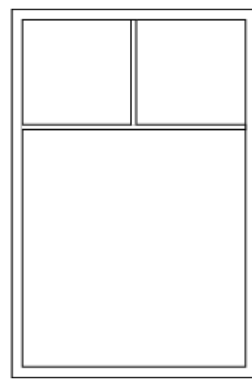
Traditional Grid



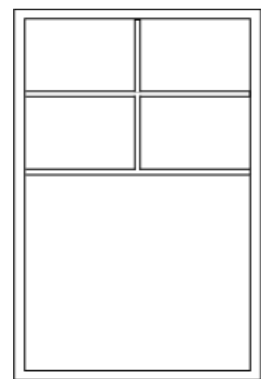
Cross Grid



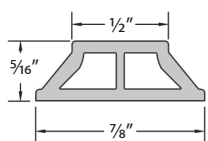
English Grid



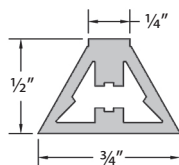
Ladder



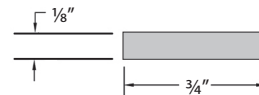
Double Ladder



7/8" OG MUNTIN



3/4" STANDARD MUNTIN

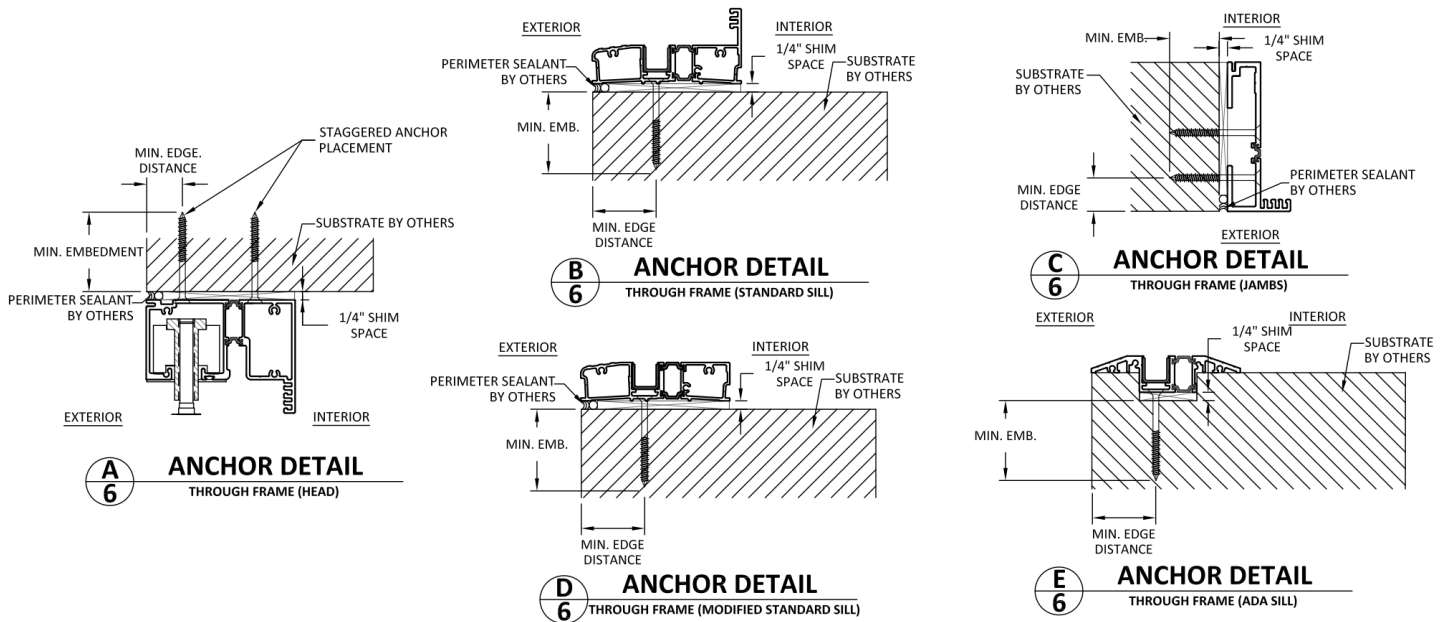


3/4" FLAT MUNTIN

NOTE: The 3/4" flat muntin is primarily used for sliding doors, however if your project has folding and sliding doors this muntin will be used to make them all match.

*Additional muntin profiles available upon request.

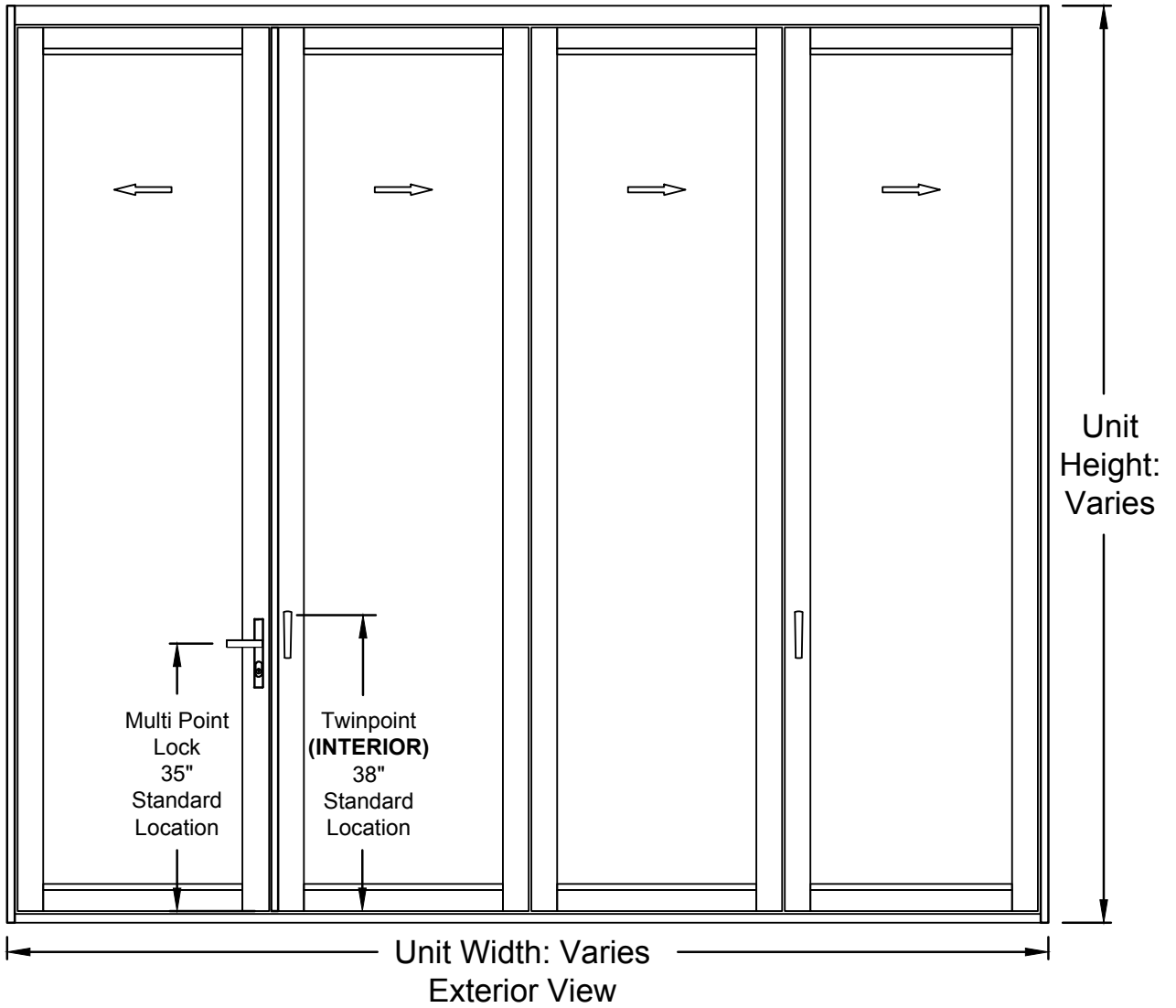
ANCHOR DETAILS



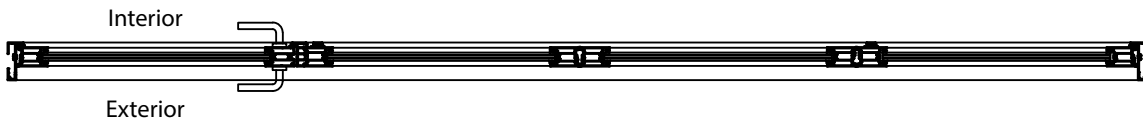
ANCHOR SCHEDULE				
METHOD	SUBSTRATE	ANCHOR SCHEDULE	MIN EMBEDMENT	MIN. EDGE DISTANCE
THROUGH FRAME	WOOD: MIN. SG = 0.55	#14 WOOD SCREW	1.5"	0.75"
	METAL: 18 GAUGE Steel, MIN. Fy = 33KSI	1/4" TEK SCREW	3 THREADS MIN PENETRATION BEYOND METAL	0.50"
	CONCRETE: f'c=3000PSI	1/4" ITW TAPCON	1.75"	2.5"
	MASONRY: CMU per ASTM C90	1/4" ITW TAPCON	1.75"	3"

- One (1) installation anchor is required at each location shown unless specified in the anchor schedule. Two (2) installation anchors at the jamb.
- The number of installation anchors depicted is the minimum number of anchors to be used for product installation of the maximum size listed.
- Install individual installation anchors within a tolerance of +/-1/2 inch the depicted location and spacing in the anchor layout details (I.E. without consideration of tolerances). Tolerances are not cumulative from one installation anchor to the next.
- Shim as required at each installation anchor with load bearing shim(s). Maximum allowable shim stack to be 1/4 inch. Shim where space of 1/16 inch or greater occurs. Shim(s) shall be constructed of high density plastic or better.
- For masonry or concrete openings, 1x wood buck may be used (optional as long as the minimum embedment and edge distance requirements are still met within the corresponding host substrate.)
- Minimum embedment and edge distance exclude wall finishes, including but not limited to stucco, foam, brick veneer and siding.
- Installation anchors and associated hardware must be made of corrosion resistance material or have a corrosion resistant coating.
- For hollow block and grout filled block, do not install installation anchors into mortar joints. Edge distance is measured from free edge of block or edge of mortar joint into face shell of block.
- Installation anchors shall be installed in accordance with anchor manufacturer's installation instructions, and anchors shall not be used in substrates with strength less than the minimum strength specified by the anchor manufacturer.
- Sill shall be set in a bed of structural silicone.

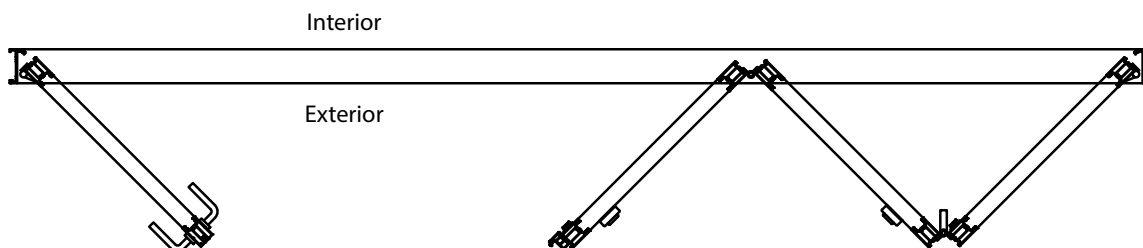
1 Left 3 Right Configuration



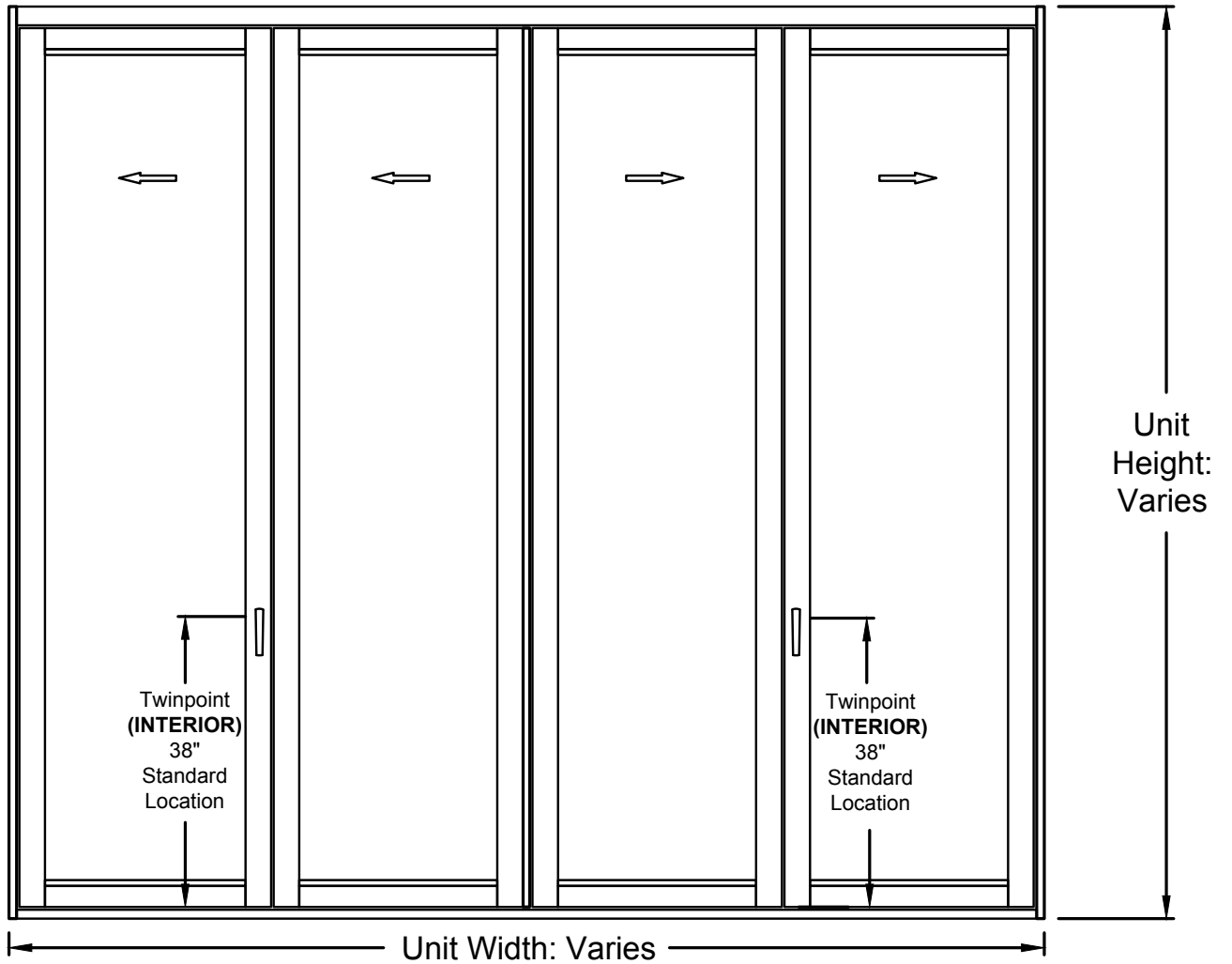
EXTERIOR ELEVATION



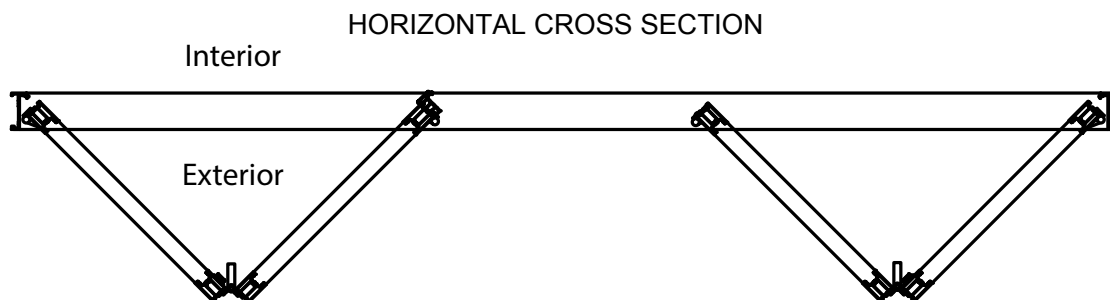
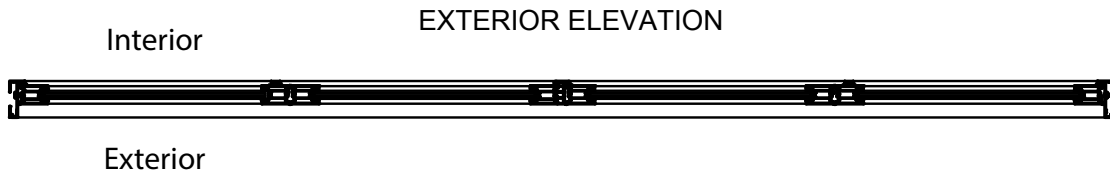
HORIZONTAL CROSS SECTION



2 Left 2 Right Configuration



NOTE: Even configurations do not have exterior access. Exterior access is provided by request.



TEST PERFORMANCE RESULTS

California Title 24 Compliant

Florida Product Approval 27023

Tested for Thermal Requirements

ASTM 283-4 / ASTM 547-00 /
ASTM 330-02 / AAMA 1304

Air Infiltration: A2

Water Leakage Resistance: DP50

Wind Load Resistance: up to DP50





EURO-WALL 10 YEAR WARRANTY

Euro-Wall warrants the products to be free from manufacturing defects for a period of 10 years from the date of purchase.

888.989.EURO (3876)

www.euro-wall.com

MANUFACTURING

2200 Murphy Court
North Port, Florida 34289
888.989.3876 • 941.979.5316



SHOWROOM

1211 Stirling Road, Unit 102,
Dania Beach, Florida 33004
954.610.2572

Proud Member of the American Architectural Manufacturers Association.

