

ARCHITECT CUT SHEET
VISTA FOLD™
THERMALLY BROKEN
FOLDING DOORS



The thermally broken Vista Fold™ aluminum door system provides unobstructed views and seamless transitions to the outside. Euro-Wall thermally broken folding doors systems can span heights up to 168”, widths up to 52”, can be configured as a radius or postless corner systems and can span any opening width with an unlimited number of sequential panels. Vista Fold™ applications are Florida Product Approved.

FL 27023

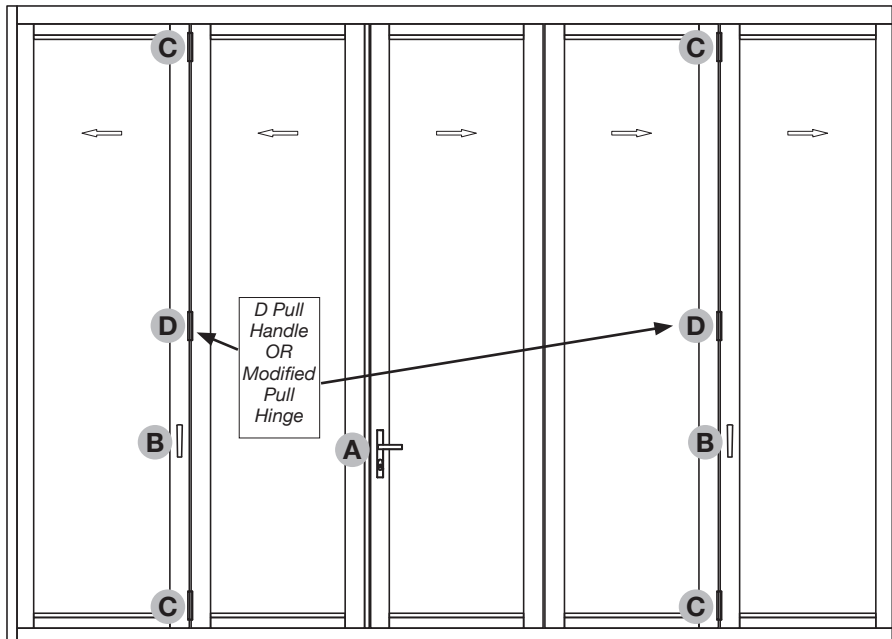


PANEL MINIMUM / MAXIMUM

Max Panel Weight:	350 lbs	Min Panel Height:	32”
Min Panel Width:	18”	Max Panel Height:	168”
Max Panel Width:	54”	Max Sq Ft:	334 sq ft

OVERVIEW DIAGRAM

Interior View



- A** **Multipoint Handle**
LORI: C0064
ROLI: C0096
- B** **Twinpoint Lever**
C0352
- C** **Modified Hinge**
C0106
- D** **D Pull Handle**
C0095
- D** **Modified Pull Hinge**
C0107

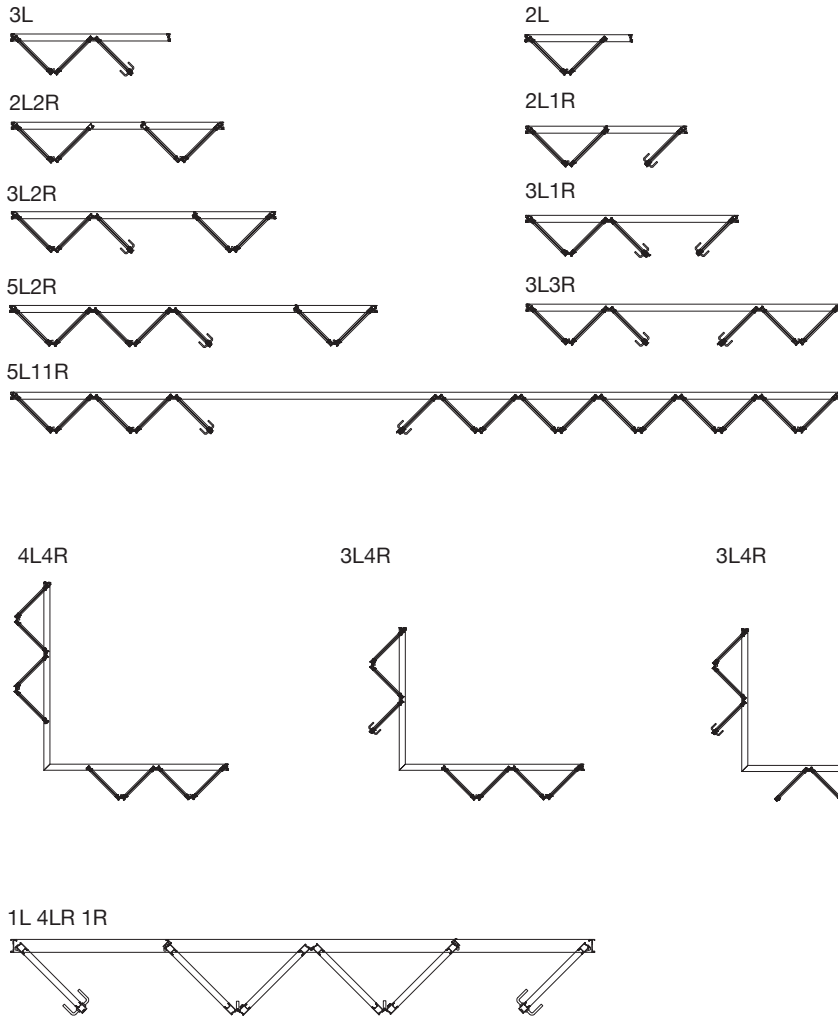
Exterior View



- A** **Multipoint Handle**
LORI: C0064
ROLI: C0096
- B** **Upper Jamb Hinge**
LORI: C0069
ROLI: C0070
- C** **Lower Jamb Hinge**
LORI: C0071
ROLI: C0072
- D** **Center Wall Pivot**
LORI: C0104
ROLI: C0105
- E** **Upper Intermediate Carrier**
LORI: C0066
ROLI: C0066
- F** **Lower Intermediate Carrier**
LORI: C0100
ROLI: C0101
- G** **Upper Carrier**
LORI: C0067
ROLI: C0068
- H** **Lower Carrier**
LORI: C0102
ROLI: C0103
- I** **Modified Hinge**
C0106

Note: Both systems pictured are outswing systems; inswing systems would be the opposite.

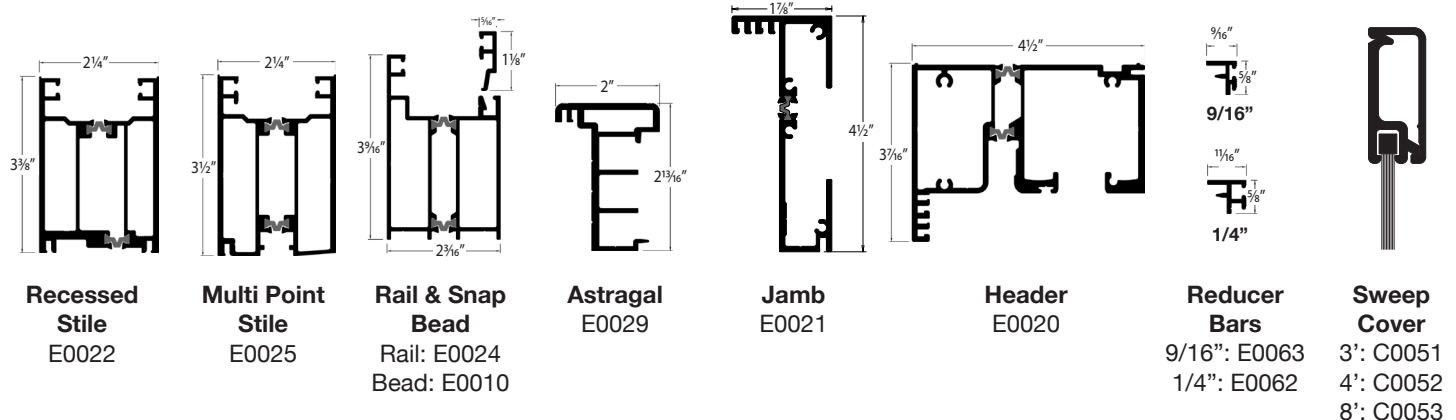
CONFIGURATIONS



NOTE: These configurations are just a few examples of the numerous possibilities for Vista Fold™ layout options. For installations in Florida, see the Florida Product Approval.

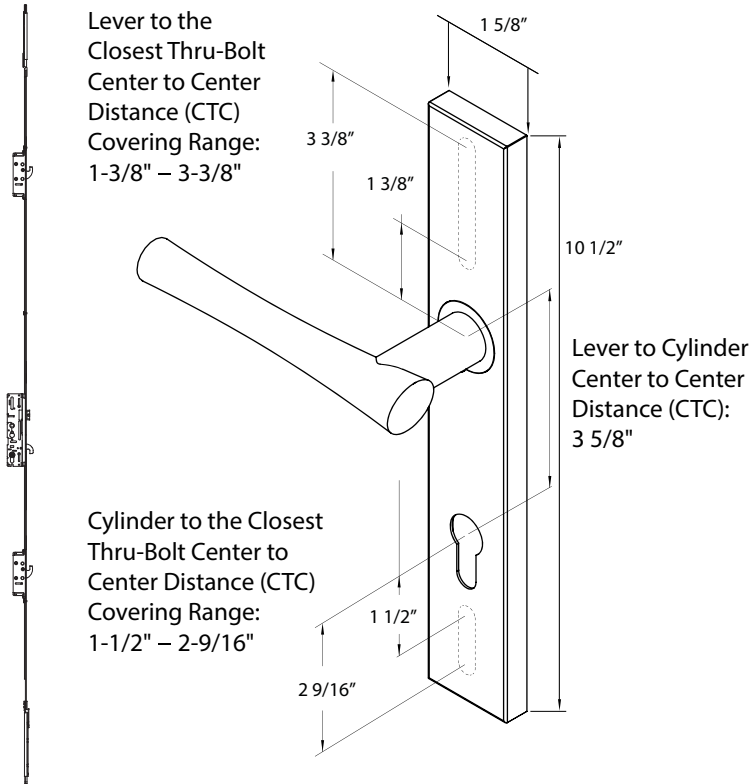
For even panel configurations (ex: 4R, 6L, 2L 4R) there is no exterior access. Exterior access is provided by request.

EXTRUSION PROFILES



HANDLES

Multi Point 5 Point Locking Handle
LORI: C0064 / ROLI: C0096

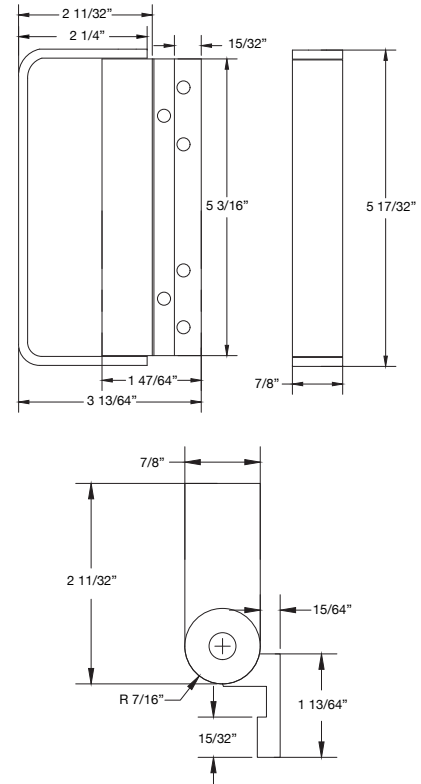


Details of multi point lock continued on pg. 5

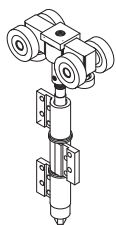


PULL HARDWARE

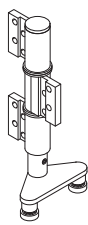
D Pull Handle
C0095



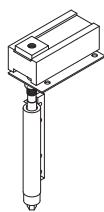
HINGES



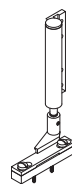
Upper Intermediate Carrier
LORI: C0065
ROLI: C0066



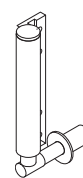
Lower Intermediate Carrier
LORI: C0100
ROLI: C0101



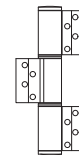
Upper Jamb Hinge
LORI: C0069
ROLI: C0070



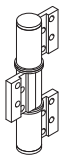
Lower Jamb Hinge
LORI: C0071
ROLI: C0072



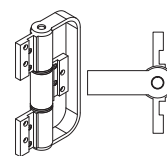
Center Wall Pivot
LORI: C0104
ROLI: C01055



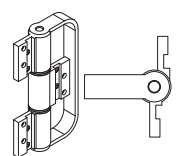
Straight Hinge
C0108



Modified Hinge
C0106

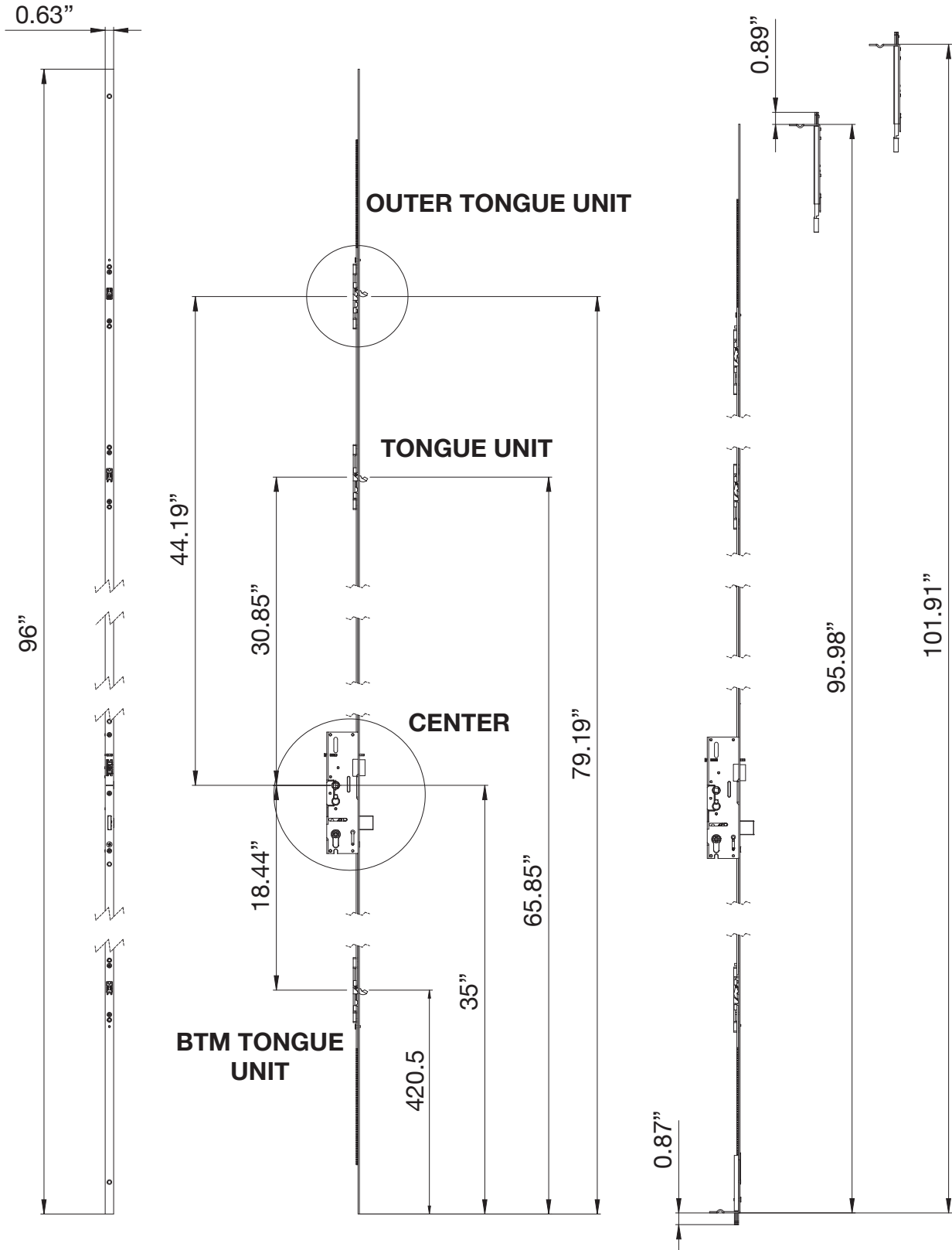


Straight Pull Hinge
C0109



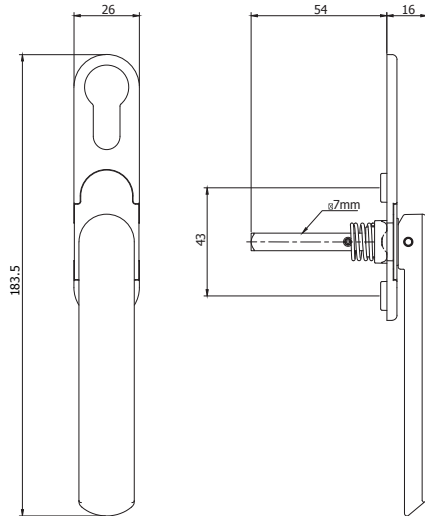
Modified Pull Hinge
C0107



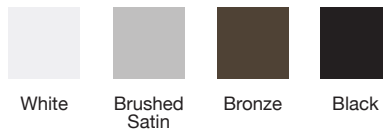
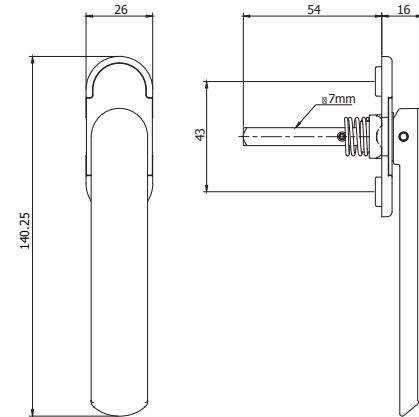


LOCKS

Twinpoint Lever w/ Escutcheon
C0351



Twinpoint Lever Non-Escutcheon
C0352



Thumb Turn Locks



50mm Single Sided

Euro Cylinder Key

Use: Exterior Locking Only, Corner Units Only

Finish: Satin Nickel



70mm Double Sided

Euro Cylinder Key / Key

Use: Standard Option

Finish: Satin Nickel



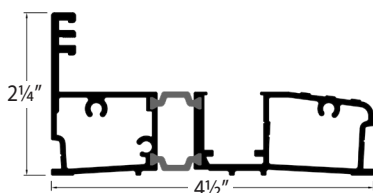
90mm Double Sided

Euro Cylinder Key / Thumb Turn

Use: Standard Option

Finish: Satin Nickel, Bronze, Polished, Black

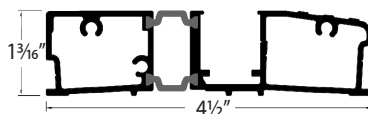
SILLS



Standard Sill

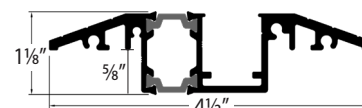
Thermally Broken Water Rated

E0023



Modified Standard Sill

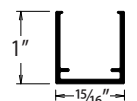
E0110



ADA Sill

Thermally Broken

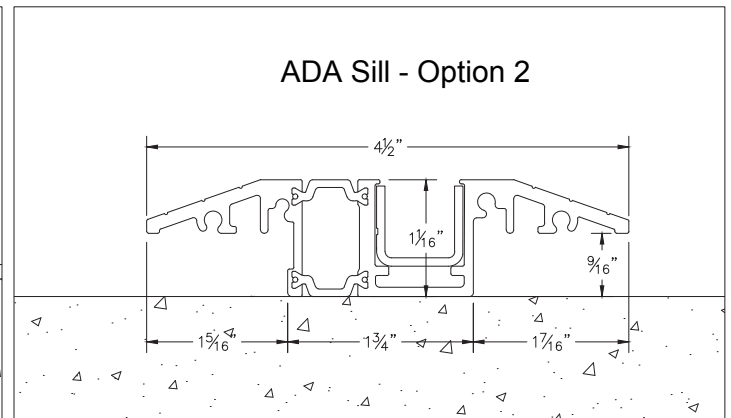
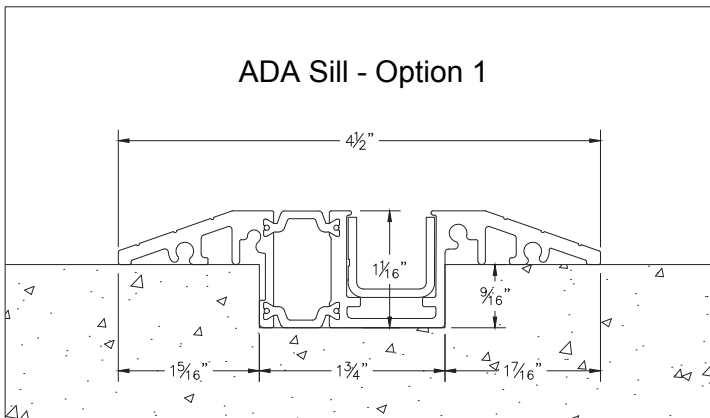
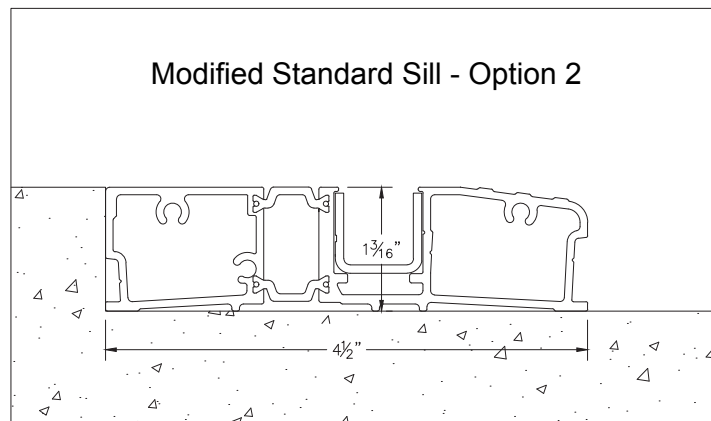
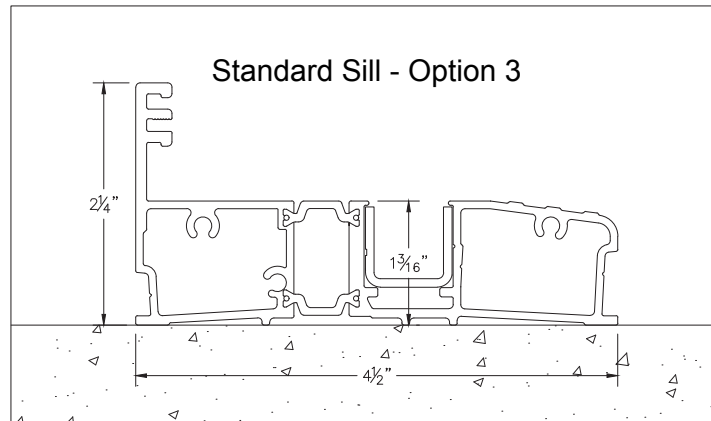
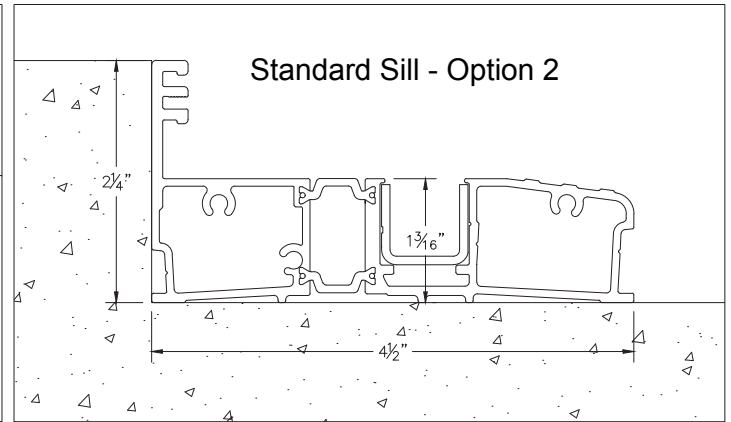
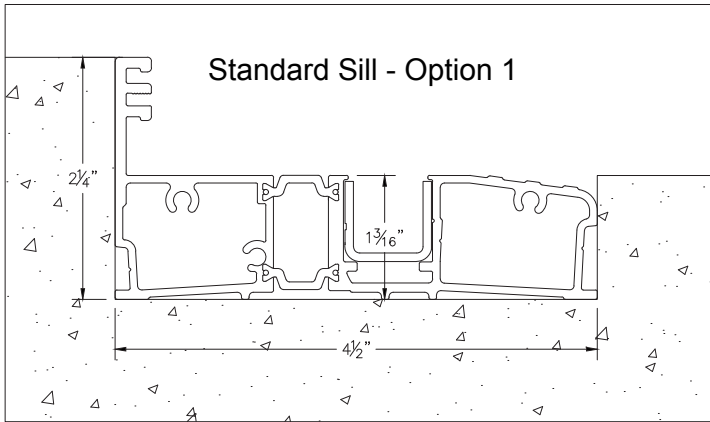
E0026

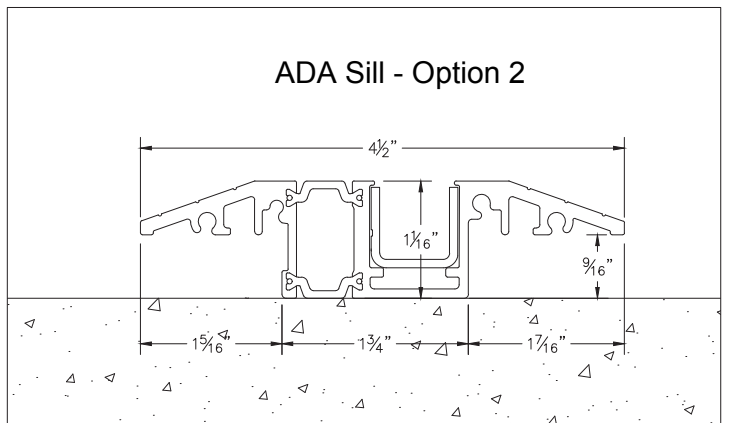
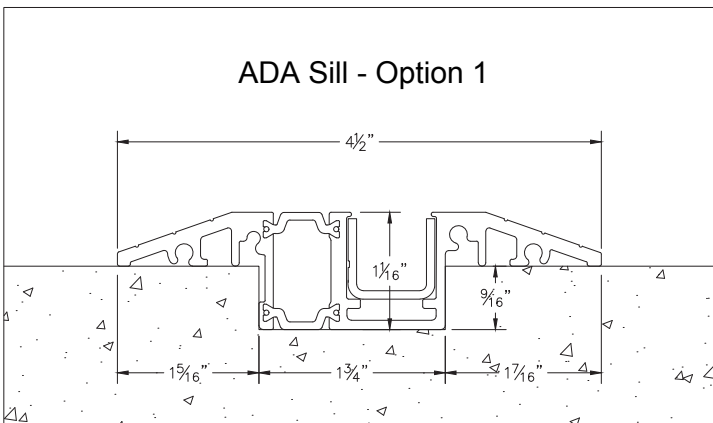
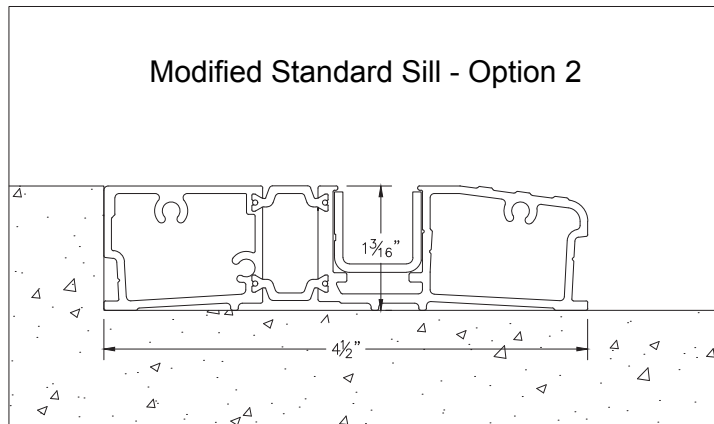
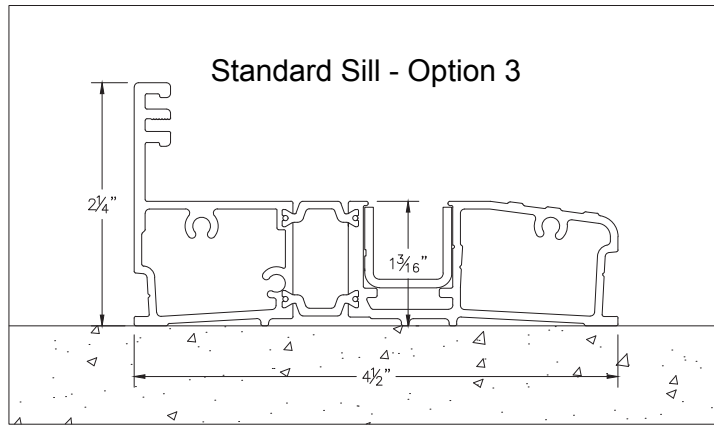
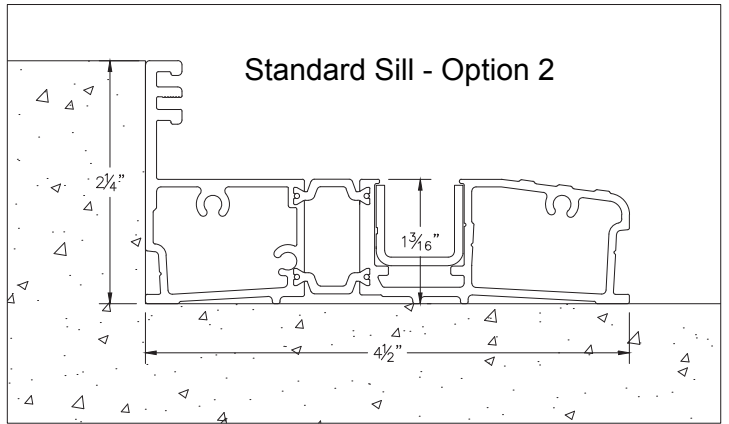
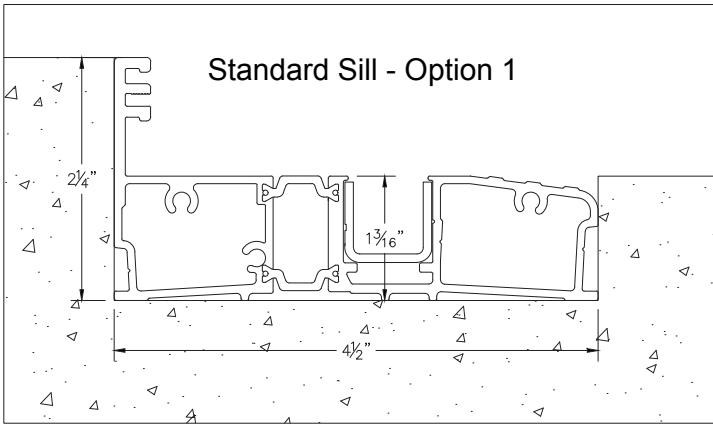


Channel Sill
Non-FPA

E0108

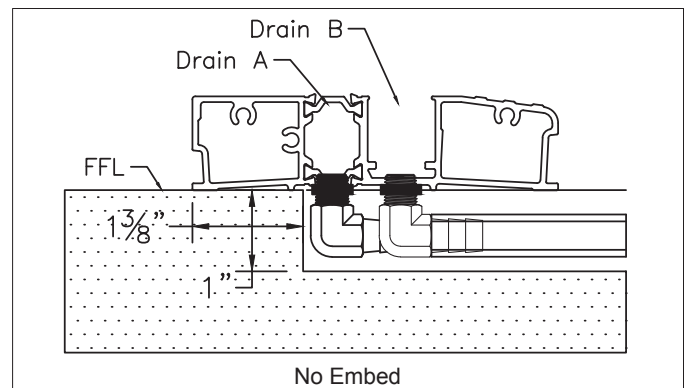
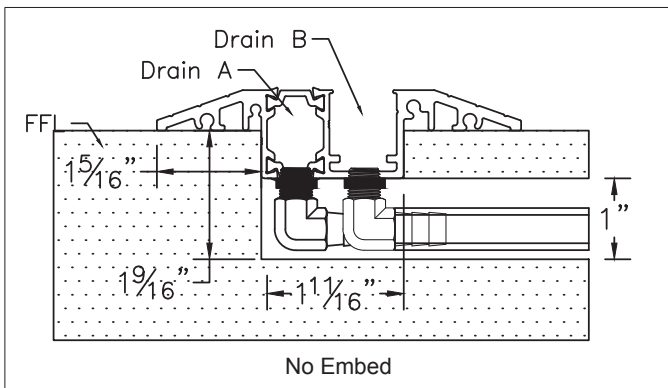
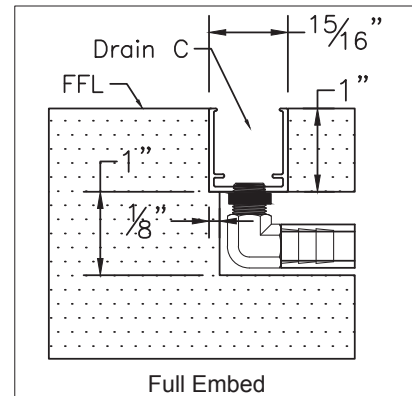
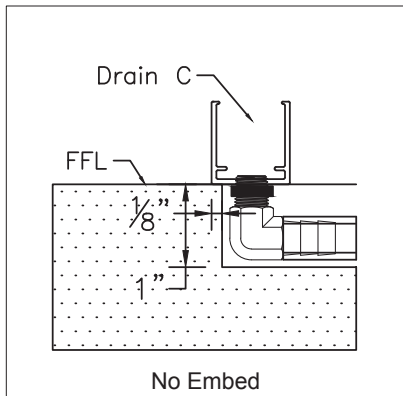
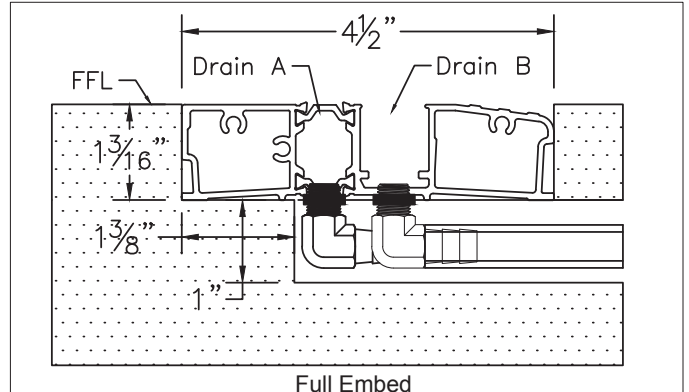
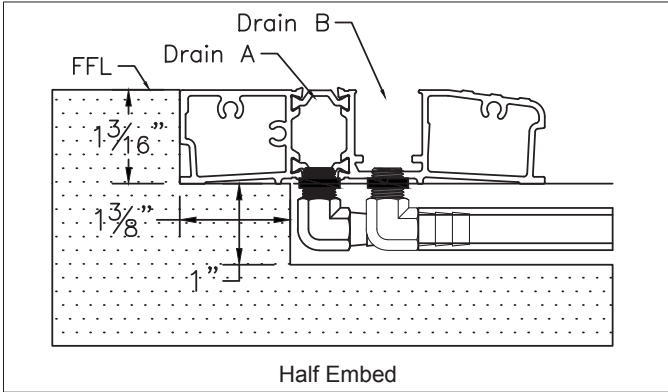
EMBED OPTIONS





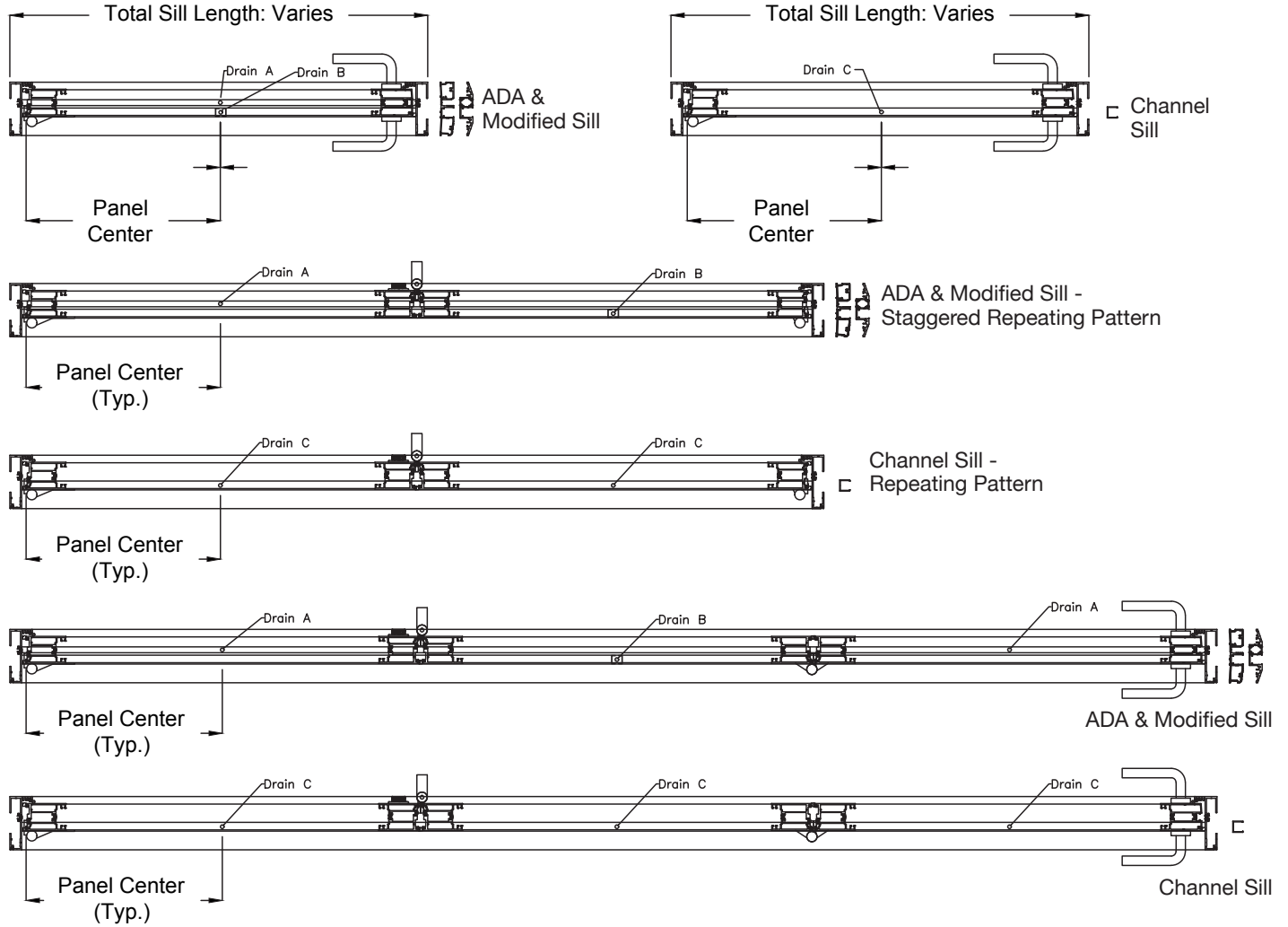
WATER MANAGEMENT

Typical Drain Hole Embedding

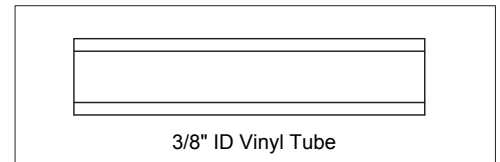
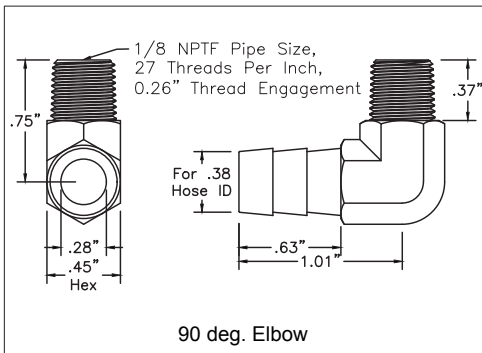
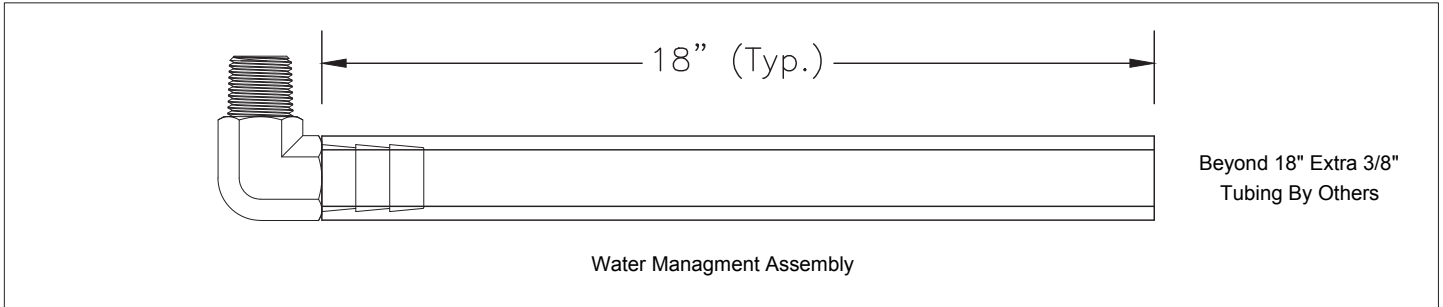


C5 Water Management System
Typical Drain Hole Location

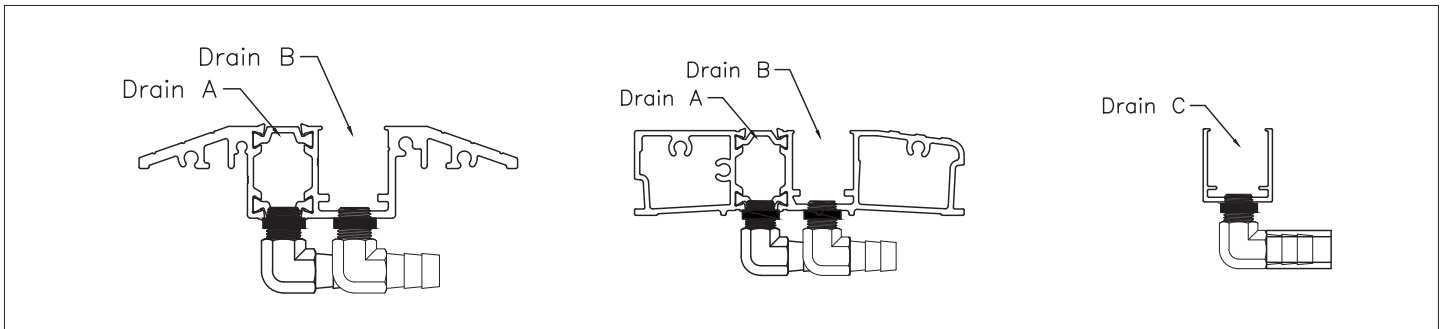
Drill using a $\frac{5}{16}$ " Bit, and Tap using a $\frac{1}{8}$ " NPT, with 27 Threads per Inch



**C5 Water Management System
Parts**



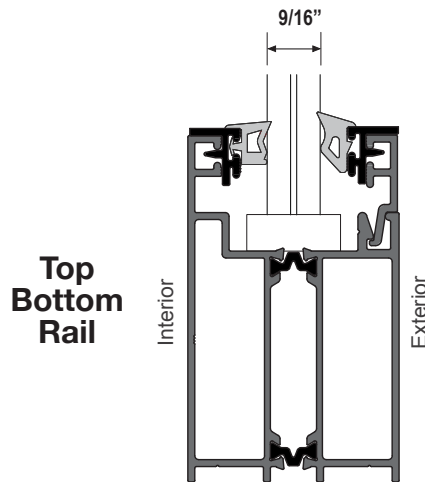
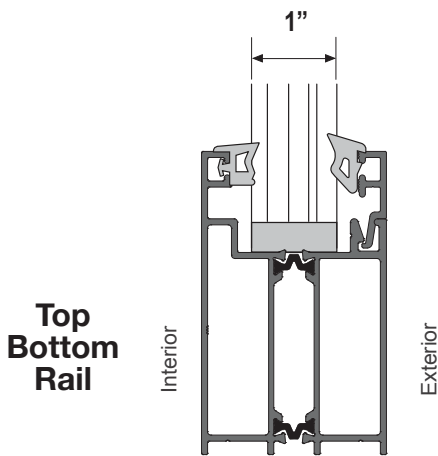
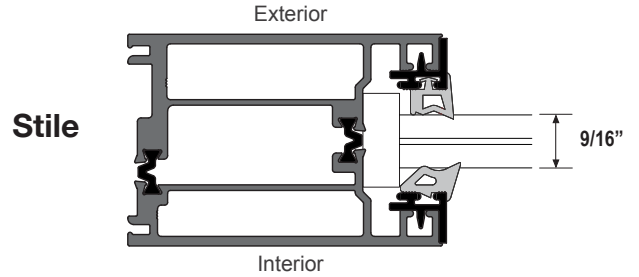
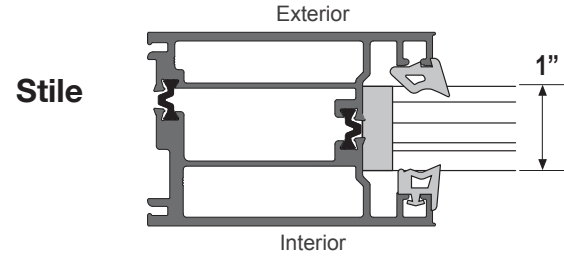
Typical Drain Hole Location



GLAZING DETAILS

1" Insulated Glass

9/16" Mono Impact Glass



Impact

- 1" Insulated Impact
- 9/16" Mono Impact

Non-Impact

- 1/4" Tempered
- 1/2" Tempered
- 1" Insulated
- 3/8" Tempered
- 1/2" Laminated

FINISH OPTIONS

Standard Finishes



White Clear Anodized Bronze Black

Standard Wood Finishes



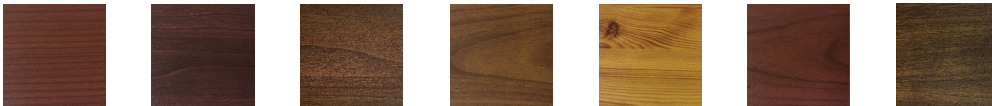
Mahogany / Sapele White Oak

Exotic Wood Finishes



Ash Birch Curly Maple Red Oak Walnut Zebrawood

Faux Wood Grain Finishes

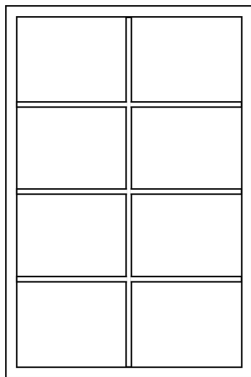


Chesnut Cherry Cinnamon Red Dark Walnut Hazelnut Brown Honey Pine Mahogany Red Walnut Brown

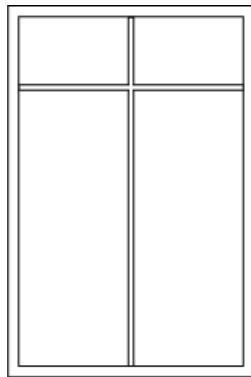
NOTE: All Interior wood clad veneer products should be properly finished or sealed within 36 hours of delivery or stored in a climate controlled space until it can be properly finished or sealed.

GRID OPTIONS

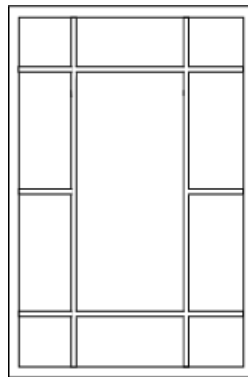
These muntin configurations are just a few examples of the numerous possibilities. All configurations are available in aluminum or wood.



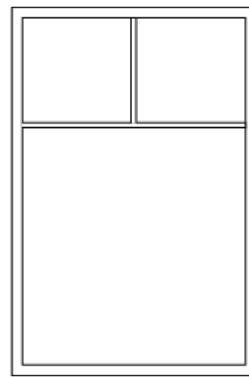
Traditional Grid



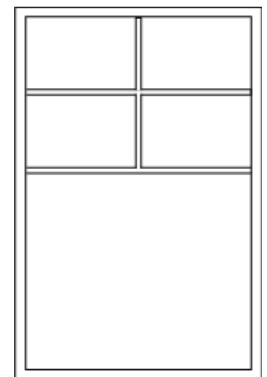
Cross Grid



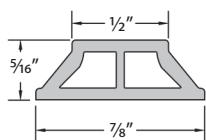
English Grid



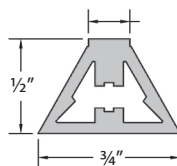
Ladder



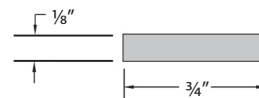
Double Ladder



7/8" OGEE MUNTIN
E0072



3/4" RAISED MUNTIN
E0070

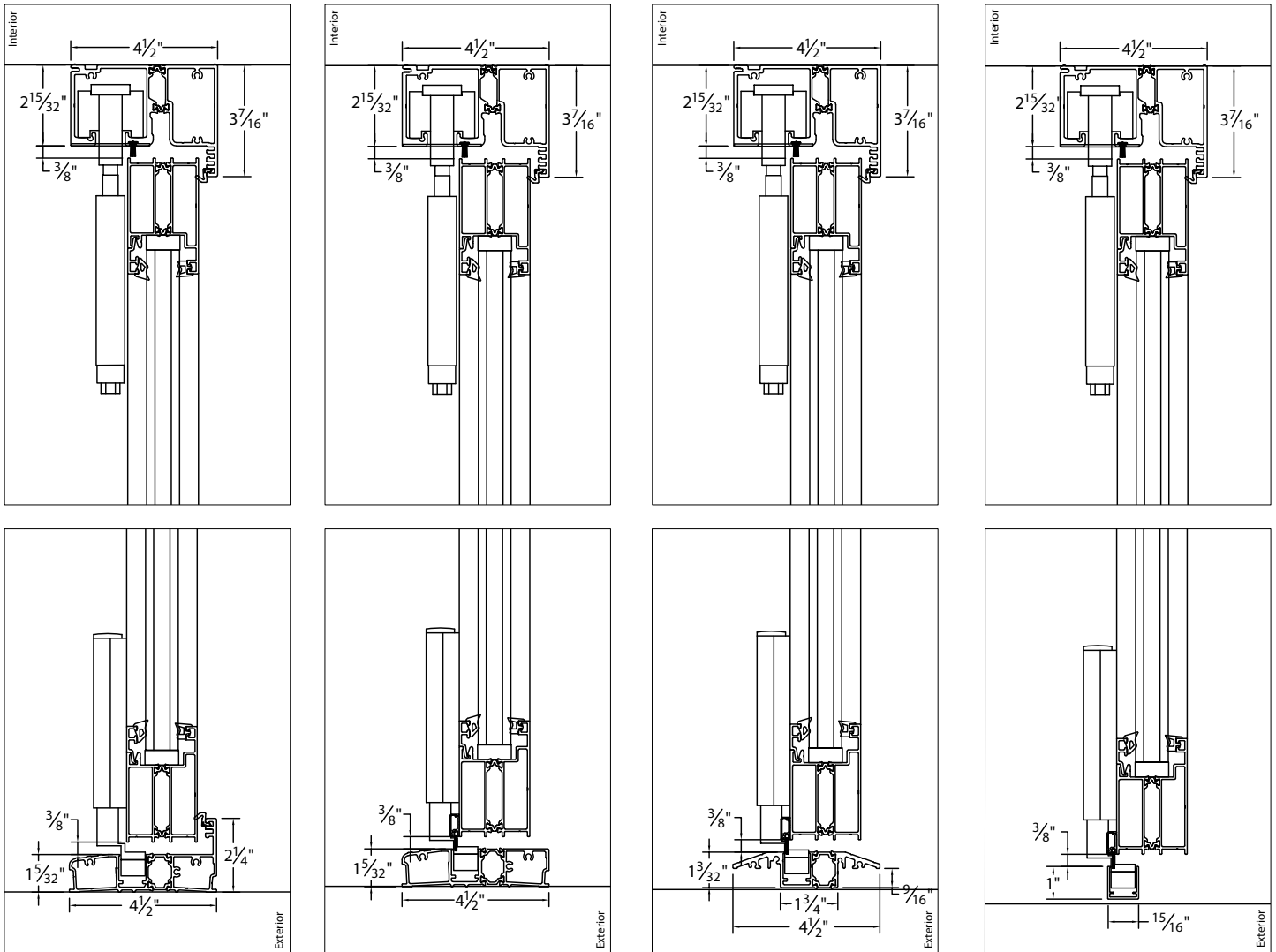


3/4" FLAT MUNTIN
E0068

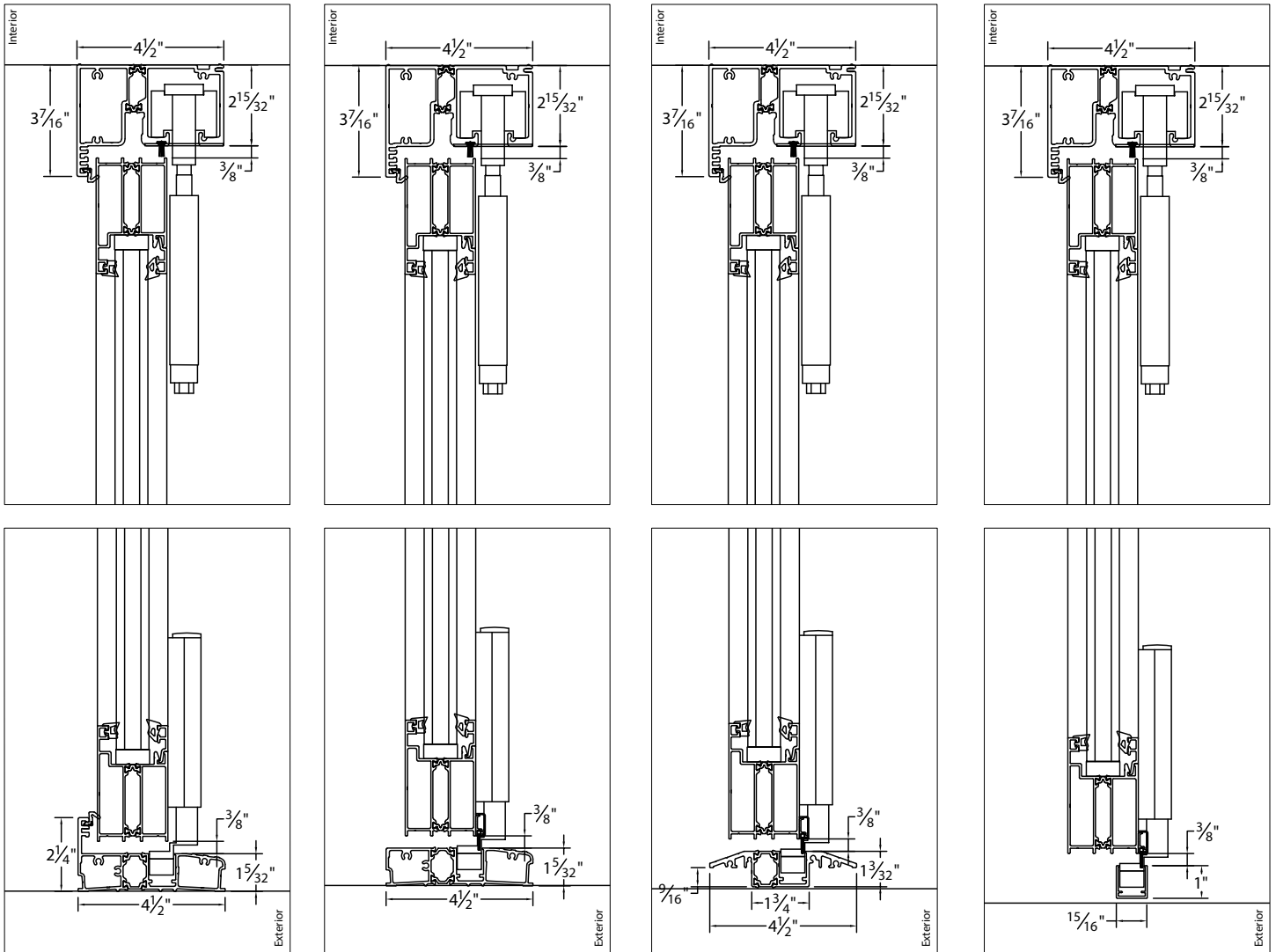
NOTE: The 3/4" flat muntin is primarily used for sliding doors, however if your project has folding and sliding doors this muntin will be used to make them all match.

NOTE: Additional muntin, kickplate, and midrail options available upon request.

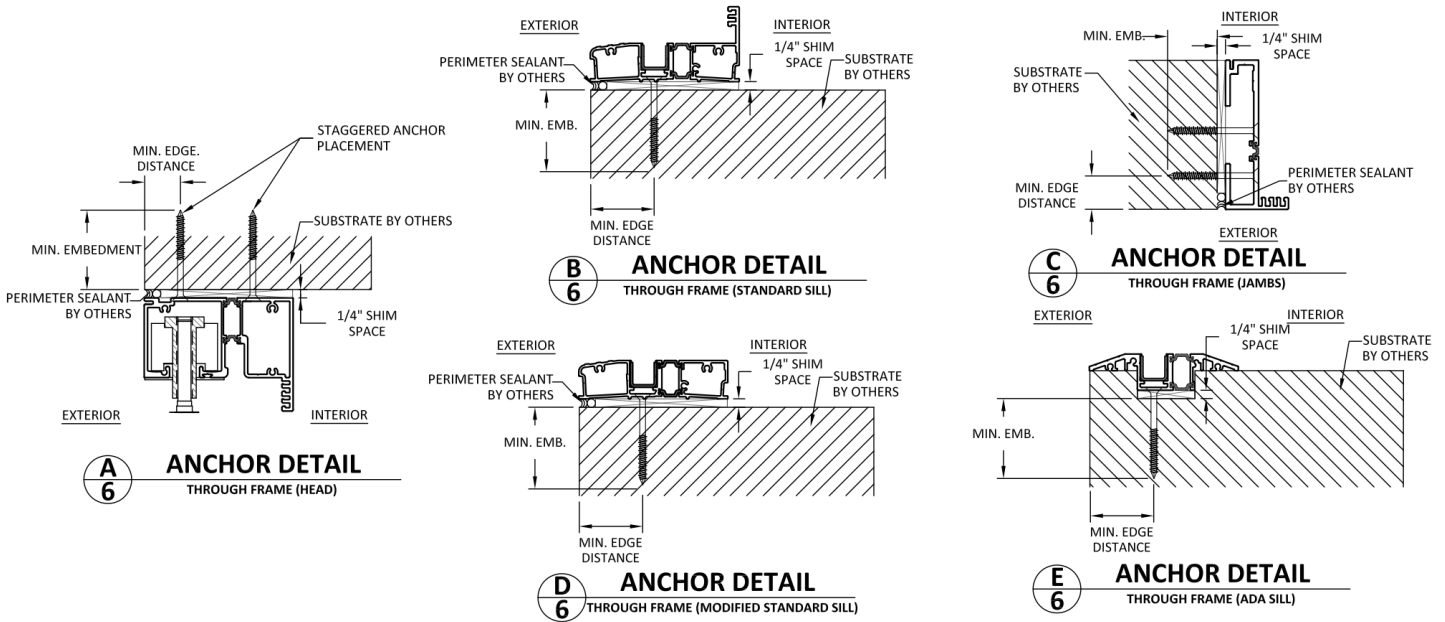
ELEVATION DETAILS - INSWING



ELEVATION DETAILS - OUTSWING



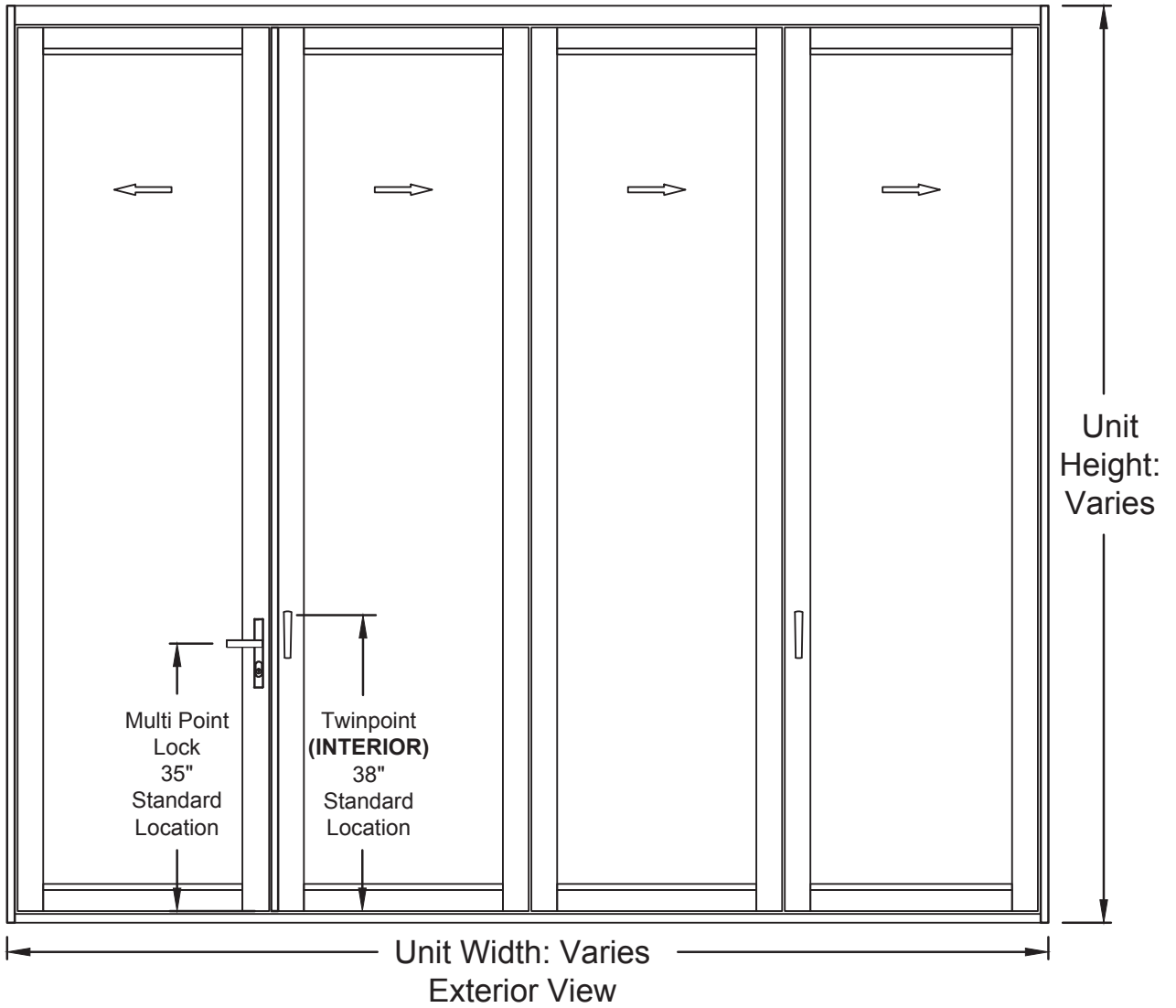
ANCHOR DETAILS



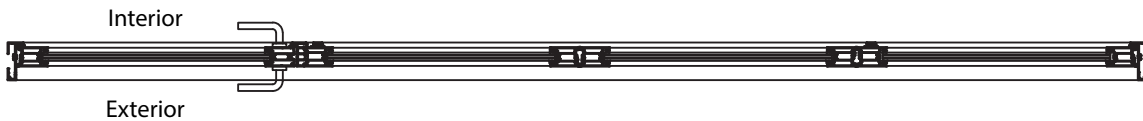
ANCHOR SCHEDULE				
METHOD	SUBSTRATE	ANCHOR SCHEDULE	MIN EMBEDMENT	MIN. EDGE DISTANCE
THROUGH FRAME	WOOD: MIN. SG = 0.55	#14 WOOD SCREW	1.5"	0.75"
	METAL: 18 GAUGE Steel, MIN. F _y = 33KSI	1/4" TEK SCREW	3 THREADS MIN PENETRATION BEYOND METAL	0.50"
	CONCRETE: f _c =3000PSI	1/4" ITW TAPCON	1.75"	2.5"
	MASONRY: CMU per ASTM C90	1/4" ITW TAPCON	1.75"	3"

- One (1) installation anchor is required at each location shown unless specified in the anchor schedule. Two (2) installation anchors at the jamb.
- The number of installation anchors depicted is the minimum number of anchors to be used for product installation of the maximum size listed.
- Install individual installation anchors within a tolerance of +/-1/2 inch the depicted location and spacing in the anchor layout details (I.E. without consideration of tolerances). Tolerances are not cumulative from one installation anchor to the next.
- Shim as required at each installation anchor with load bearing shim(s). Maximum allowable shim stack to be 1/4 inch. Shim where space of 1/16 inch or greater occurs. Shim(s) shall be constructed of high density plastic or better.
- For masonry or concrete openings, 1x wood buck may be used (optional as long as the minimum embedment and edge distance requirements are still met within the corresponding host substrate.)
- Minimum embedment and edge distance exclude wall finishes, including but not limited to stucco, foam, brick veneer and siding.
- Installation anchors and associated hardware must be made of corrosion resistance material or have a corrosion resistant coating.
- For hollow block and grout filled block, do not install installation anchors into mortar joints. Edge distance is measured from free edge of block or edge of mortar joint into face shell of block.
- Installation anchors shall be installed in accordance with anchor manufacturer's installation instructions, and anchors shall not be used in substrates with strength less than the minimum strength specified by the anchor manufacturer.
- Sill shall be set in a bed of structural silicone.

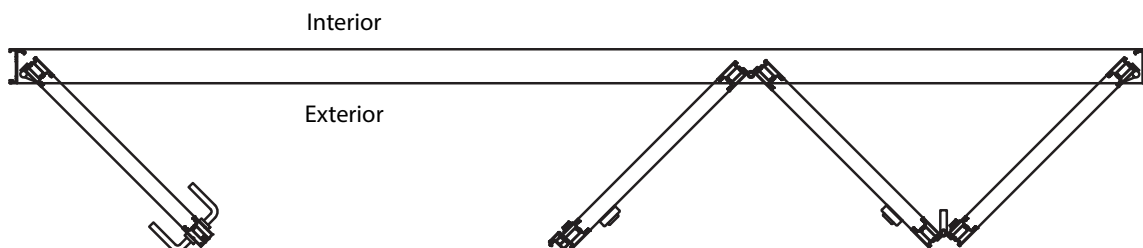
1 Left 3 Right Outswing Configuration



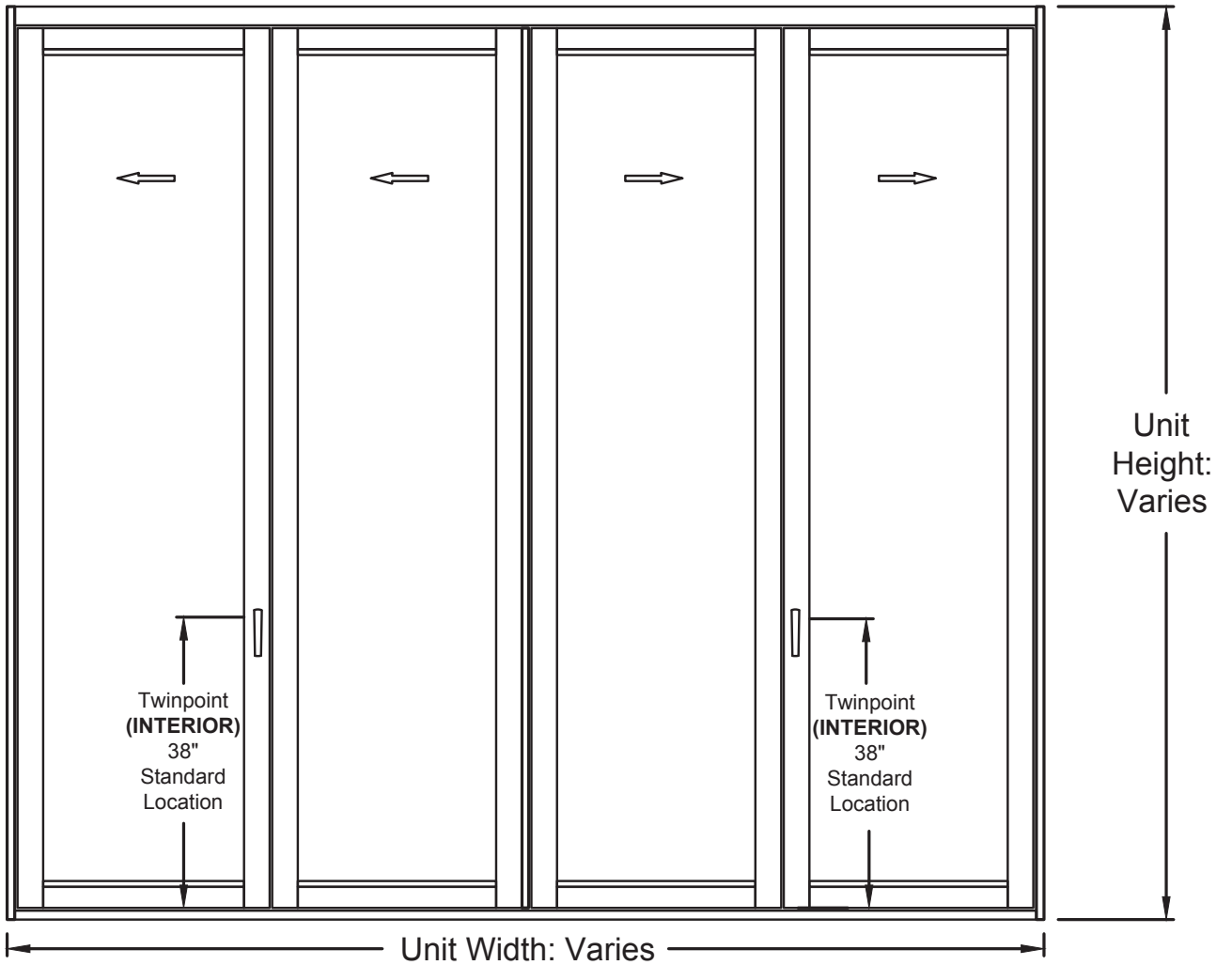
EXTERIOR ELEVATION



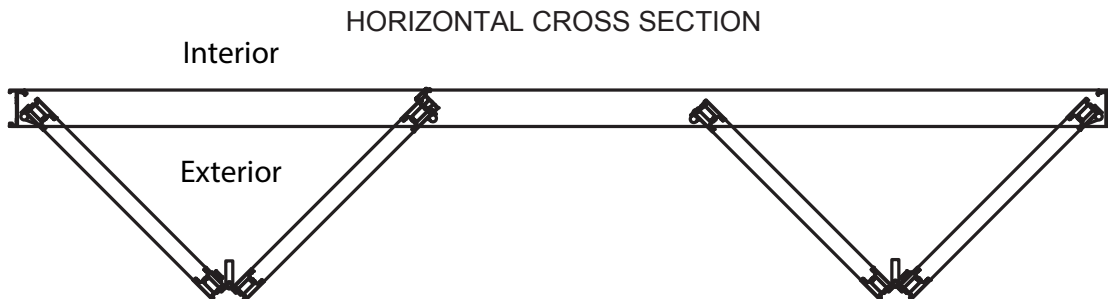
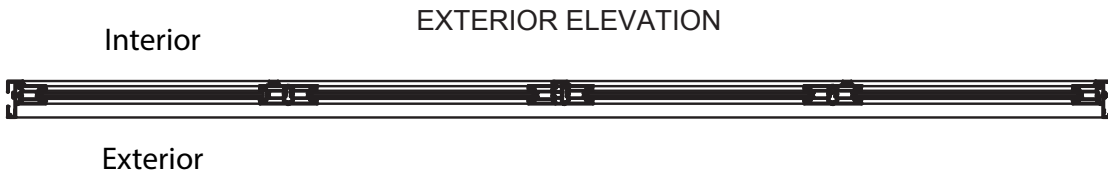
HORIZONTAL CROSS SECTION



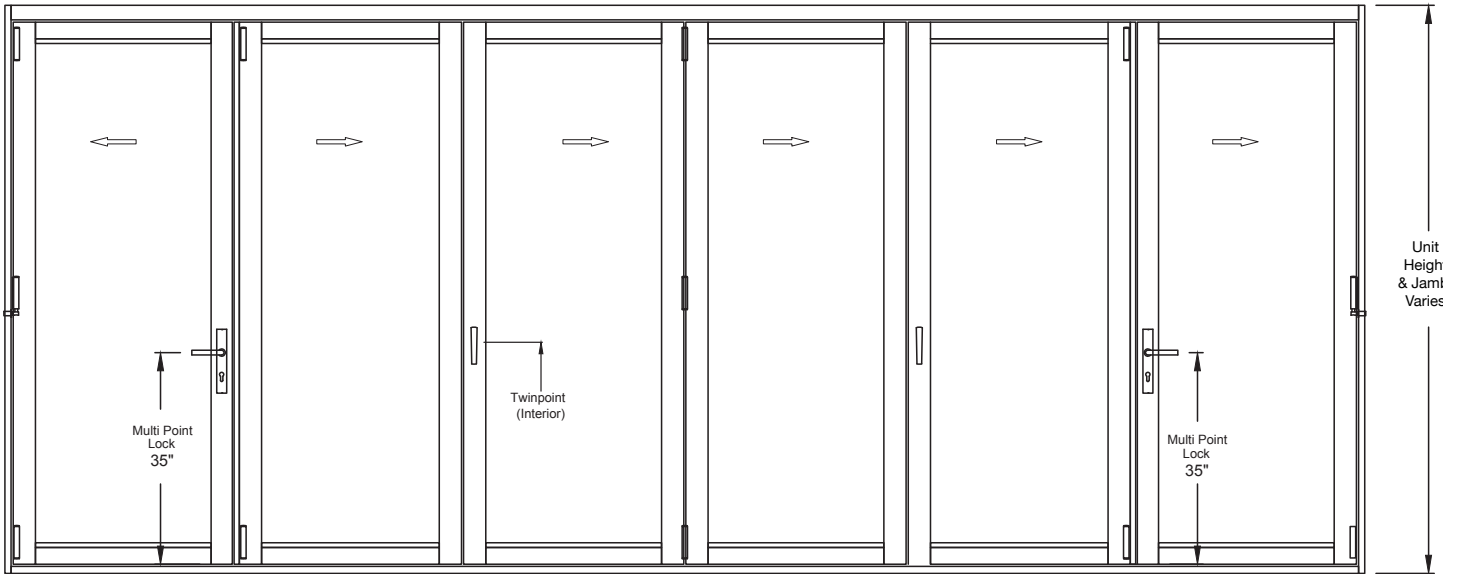
2 Left 2 Right Outswing Configuration



NOTE: Even configurations do not have exterior access. Exterior access is provided by request.



1 Left 4 Left/Right 1 Right Multidirectional Configuration Shown

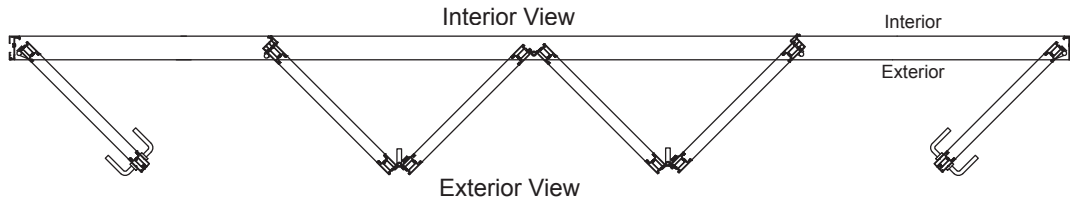


Exterior View

EXTERIOR ELEVATION



HORIZONTAL CROSS SECTION



Exterior View

DESIGN PRESSURE CHART

HVHZ & Wind Zone 3

Panel Width

Panel Height	Panel Width											
	26	30	34	36	38	39	42	45	46	48	50	54
72	50	50	50	50	50	50	50	50	50	50	50	50
78	50	50	50	50	50	50	50	50	50	50	50	50
84	50	50	50	50	50	50	50	50	50	50	50	50
90	50	50	50	50	50	50	50	50	50	50	50	50
91	50	50	50	50	50	50	50	50	50	50	50	50
96	50	50	50	50	50	50	50	50	50	50	50	50
97	50	50	50	50	50	50	50	50	50	50		
102	50	50	50	50	50	50	50	50	50	50		
103	50	50	50	50	50	50	50	50	50	50		
108	50	50	50	50	50	50	50	50	50	50		
109	50	50	50	50	50	50	50	50				
114	50	50	50	50	50	50	50	50				
115	50	50	50	50	50	50	50					
120	50	50	50	50	50	50	50					
121	50	50	50	50	50	50						
126	50	50	50	50	50	50						
127	50	50	50	50	50	50						
132	50	50	50	50	50	50						
133	50	50	50	50								
138	50	50	50	50								
139	50	50	50	50								
144	50	50	50	50								

Non-Impact

Panel Width

Panel Height	Panel Width											
	26	30	34	36	38	39	42	45	46	48	50	54
72	50	50	50	50	50	50	50	45.7	45.7	42	42	38.9
78	50	50	50	50	50	50	50	45.7	45.7	42	42	38.9
84	50	50	50	50	50	50	50	45.7	45.7	42	42	38.9
90	50	50	50	50	50	50	50	45.7	45.7	42	42	38.9
91	50	50	50	50	50	50	50	45.7	45.7	42	42	38.9
96	50	50	50	50	50	50	50	45.7	45.7	42	42	38.9
97	50	50	50	50	50	50	50	45.7	45.7	42	42	38.9
102	50	50	50	50	50	50	50	45.7	45.7	42	42	38.9
103	50	50	50	50	50	50	50	45.7	45.7	42	42	38.9
108	50	50	50	50	50	50	50	45.7	45.7	42	42	
109	50	50	50	50	50	50	50	45.7	45.7	42	42	
114	50	50	50	50	50	50	50	45.7	45.7			
115	50	50	50	50	50	50	50	45.7	45.7			
120	50	50	50	47	47	42.9	42.9	39.5	39.5			
121	50	50	50	47	47	42.9	42.9	39.5	39.5			
126	50	50	44.9	40.5	40.5	36.9	36.9					
127	50	50	44.9	40.5	40.5	36.9	36.9					
132	50	43.9	39	35.1	35.1	32	32					
133	50	43.9	39	35.1	35.1	32	32					
138	44.1	38.4	34.1	30.7	30.7							
139	44.1	38.4	34.1	30.7	30.7							
144	38.8	33.8	30	27	27							
145	38.8	33.8	30	27	27							
151	34.3	29.9	26.5									
157	30.5	26.6	23.5									
163	27.3	23.7	21									
169	24.4	21.2	18.8									

TEST PERFORMANCE RESULTS

IMPACT

- Florida Product Approval 27023
- Tested for Thermal Requirements
- Air Infiltration: ASTM E283-04
- Water Infiltration: ASTM E331-00
- Wind Load: TAS 202-94
- Large Missile Impact: TAS 201-94
- Cyclic Load: TAS 203-94
- Forced Entry: AAMA 1304-18

NON-IMPACT

- Florida Product Approval 27023
- Tested for Thermal Requirements
- Air Infiltration: ASTM E283-04
- Water Infiltration: ASTM E547-00
- Forced Entry: AAMA 1304-02





EURO-WALL 10 YEAR WARRANTY

Euro-Wall warrants the products to be free from manufacturing defects for a period of 10 years from the date of purchase.

888.989.EURO (3876)

www.euro-wall.com

MANUFACTURING

2200 Murphy Court
North Port, Florida 34289
888.989.3876 • 941.979.5316



SHOWROOM

1211 Stirling Road, Unit 102,
Dania Beach, Florida 33004
954.610.2572

Proud Member of the American Architectural Manufacturers Association.

